

Model J-P4a/P4c
(G130/G131)

PARTS CATALOG

First edition, May 2005

Ricoh Company, LTD.

Model J-P4a/P4c (G130/G131)

PARTS CATALOG

This catalog gives the numbers and names of parts on this machine.

Model J-P4a/P4c (G130/G131)

Model J-P4a/P4c
(G130/G131)

Model J-P4a/P4c (G130/G131)

PARTS CATALOG

This catalog gives the numbers and names of parts on this machine.

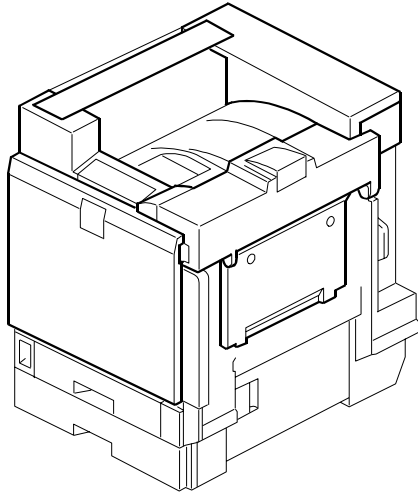
Location of unit	2	18.Transfer Unit 2 (G130/G131).....	44
1.Exterior 1 (G130/G131)	10	19.Transfer Unit 3 (G130/G131).....	46
2.Exterior 2 (G130/G131)	12	20.Transfer Unit 4 (G130/G131).....	48
3.Laser Unit (G130/G131).....	14	21.Fusing Unit 1 (G130/G131)	50
4.1st Cassette (G130/G131)	16	22.Fusing Unit 2 (G130/G131)	52
5.2nd Cassette (G130/G131)	18	23.Paper Exit Section 1 (G130/G131).....	54
6.1st Paper Feed Section (G130/G131).....	20	24.Paper Exit Section 2 (G130/G131).....	56
7.2nd Paper Feed Section (G130/G131)	22	25.Paper Exit Section 3 (G130/G131).....	58
8.Manual Paper Feed 1 (G130/G131).....	24	26.Paper Exit Section 5 (G130/G131).....	60
9.Vertical Transport 1 (G130/G131).....	26	27.Paper Exit Section 4 (G130/G131).....	62
10.Vertical Transport 2 (G130/G131).....	28	28.Duplex Section 1 (G131)	64
11.Vertical Transport 3 (G130/G131).....	30	29.Duplex Section 2 (G131)	66
12.Paper Resistration (G130/G131).....	32	30.Duplex Section 3 (G131)	68
13.Black Toner Hopper (G130/G131)	34	31.Duplex Section 4 (G131)	70
14.Color Toner Hopper (G130/G131)	36	32.Duplex Section 5 (G131)	72
15.Toner Supply Section (G130/G131).....	38	33.Drive Section 1 (G130/G131)	74
16.PCU/Development Unit (G130/G131)	40	34.Drive Section 2 (G130/G131)	76
17.Transfer Unit 1 (G130/G131)	42	35.Drive Section 3 (G130/G131).....	78

May 25 ' 2005

36.Drive Section 4 (G130/G131).....	80
37.Electrical Section 1 (G130/G131).....	82
38.Electrical Section 2 (G130/G131).....	84
39.Printer Control Board (G130/G131)	86
40.Frame Section 1 (G130/G131).....	88
41.Frame Section 2 (G130/G131).....	90
42.Frame Section 3 (G130/G131).....	92
43.Printer Control Board (G130/G131).....	94
44.BCU Board (G130/G131)	114
45.Decals And Documents (G130/G131).....	130
46.Special Tools (G130/G131).....	134
Parts Index	137

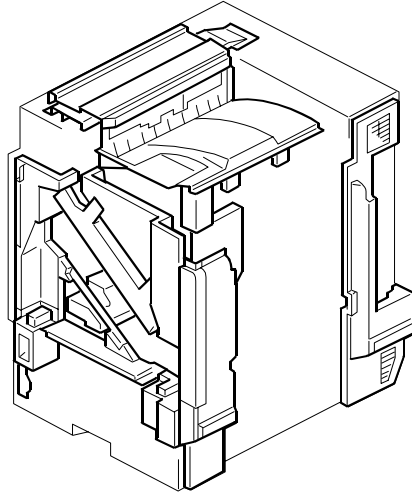
LOCATIONS OF UNITS

1. Exterior 1 (G130/G131)



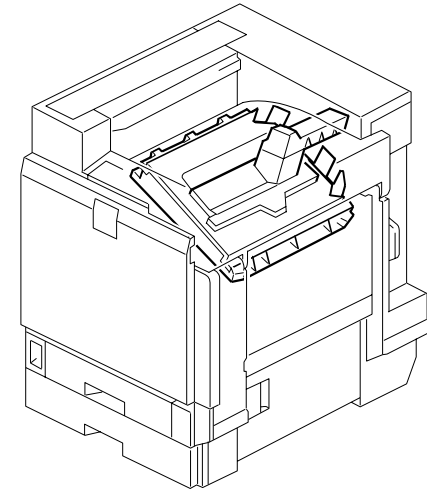
See Page 11

2. Exterior 2 (G130/G131)



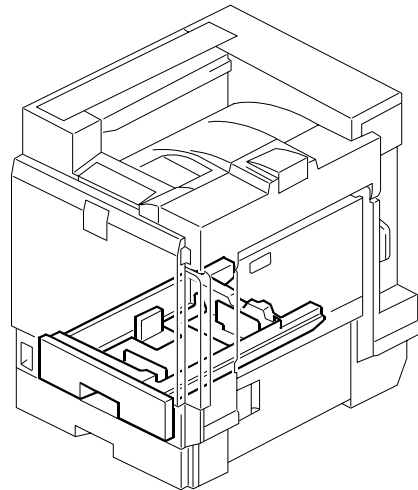
See Page 13

3. Laser Unit (G130/G131)



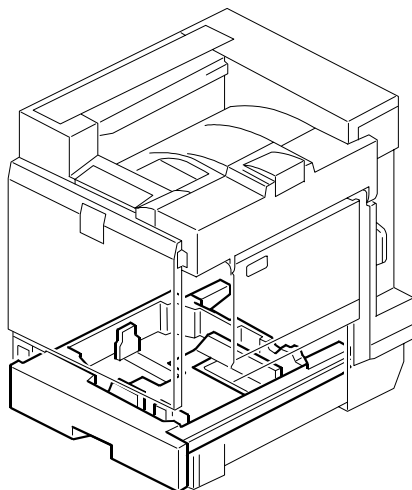
See Page 15

4. 1st Cassette (G130/G131)



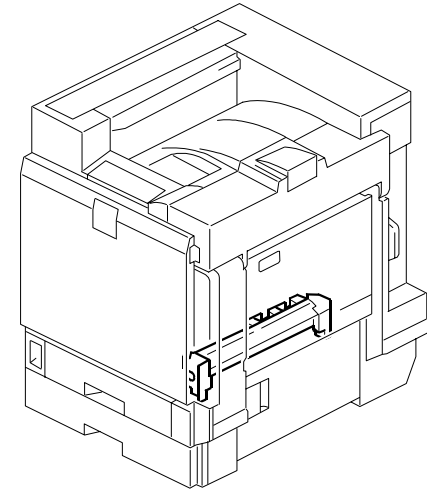
See Page 17

5. 2nd Cassette (G130/G131)



See Page 19

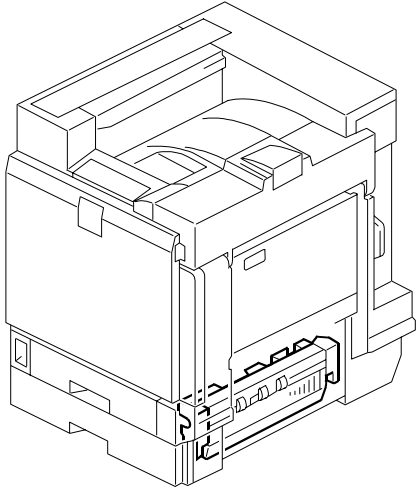
6. 1st Paper Feed Section (G130/G131)



See Page 21

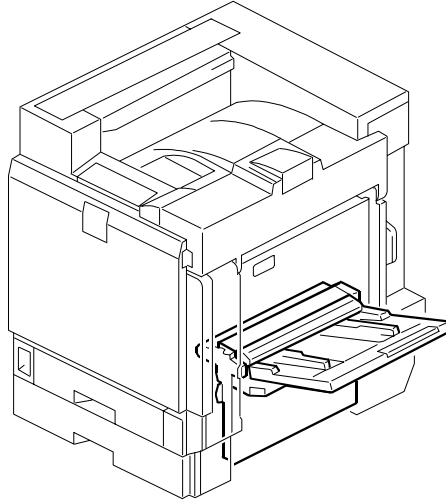
LOCATIONS OF UNITS

7. 2nd Paper Feed Section (G130/G131)



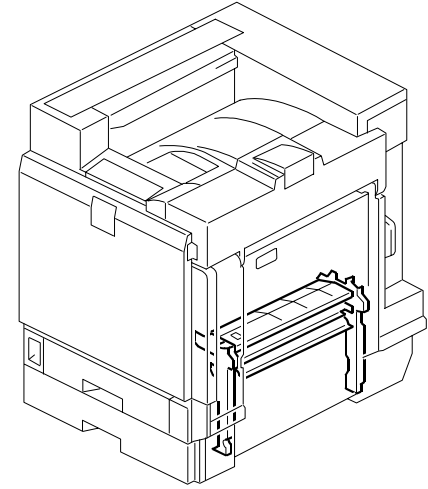
See Page 23

8. Manual Paper Feed 1 (G130/G131)



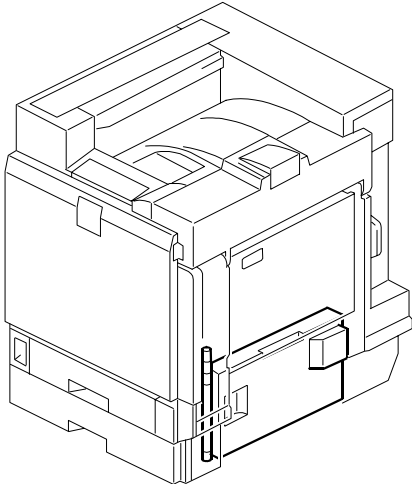
See Page 25

9. Vertical Transport 1 (G130/G131)



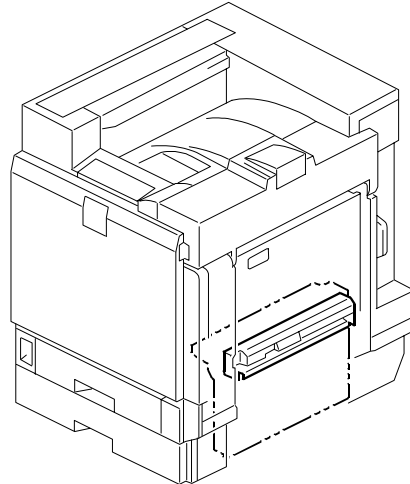
See Page 27

10. Vertical Transport 2 (G130/G131)



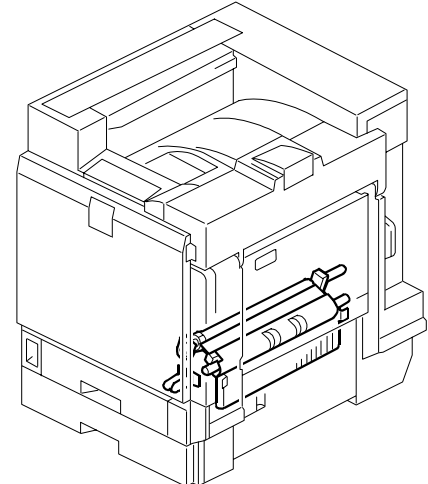
See Page 29

11. Vertical Transport 3 (G130/G131)



See Page 31

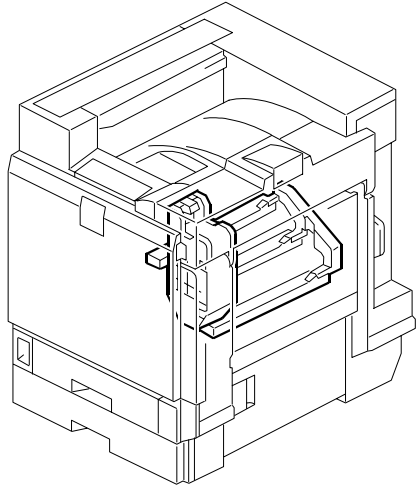
12. Paper Resistration (G130/G131)



See Page 33

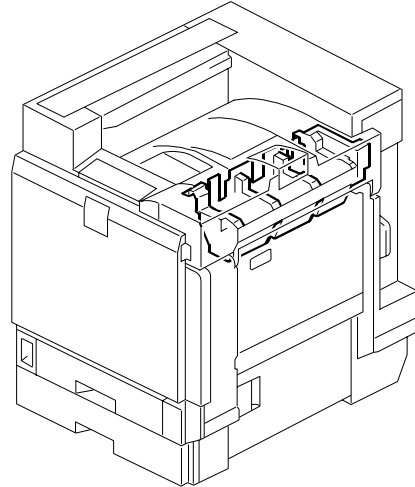
LOCATIONS OF UNITS

13. Black Toner Hopper (G130/G131)



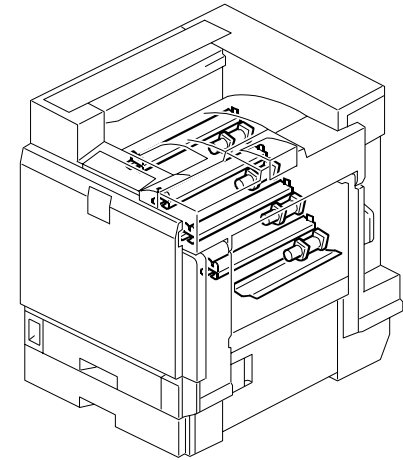
See Page 35

14. Color Toner Hopper (G130/G131)



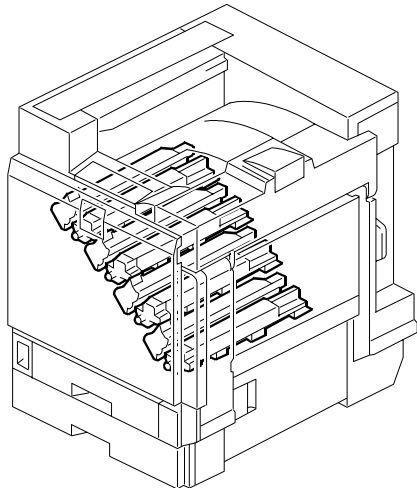
See Page 37

15. Toner Supply Section (G130/G131)



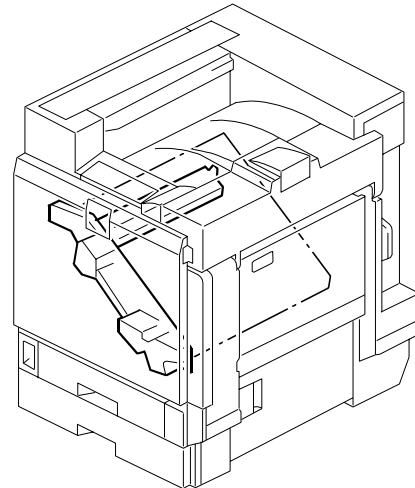
See Page 39

16. PCU/Development Unit (G130/G131)



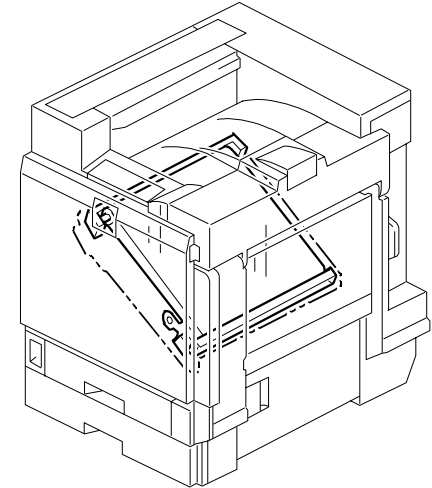
See Page 41

17. Transfer Unit 1 (G130/G131)



See Page 43

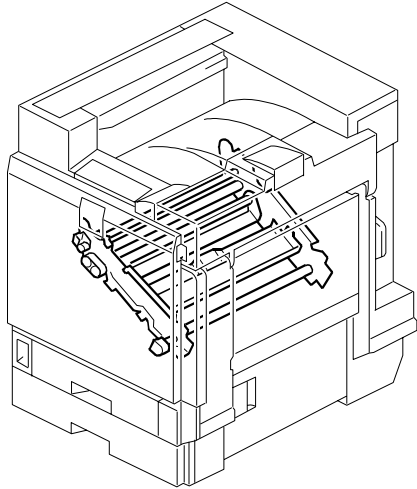
18. Transfer Unit 2 (G130/G131)



See Page 45

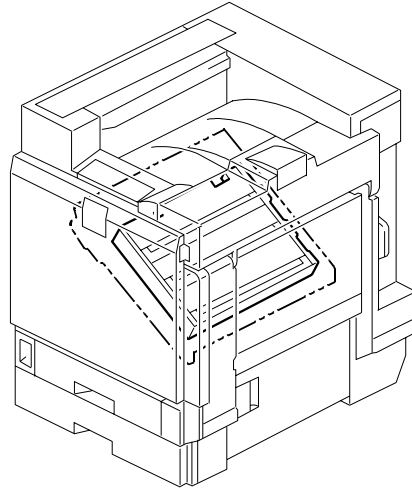
LOCATIONS OF UNITS

19. Transfer Unit 3 (G130/G131)



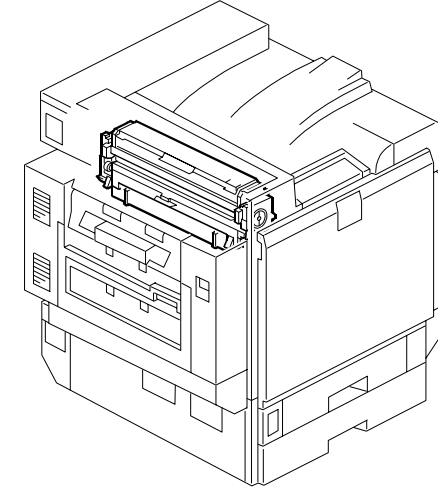
See Page 47

20. Transfer Unit 4 (G130/G131)



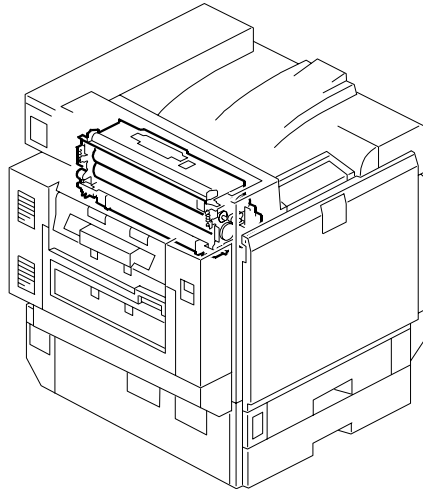
See Page 49

21. Fusing Unit 1 (G130/G131)



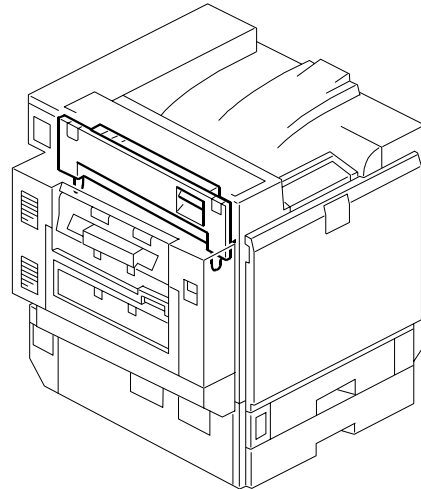
See Page 51

22. Fusing Unit 2 (G130/G131)



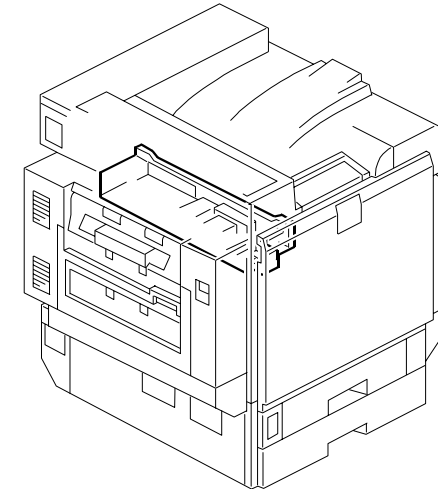
See Page 53

23. Paper Exit Section 1 (G130/G131)



See Page 55

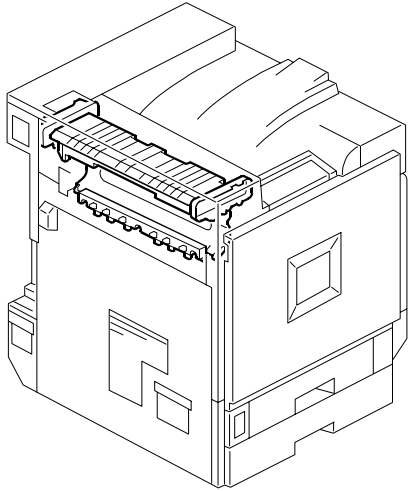
24. Paper Exit Section 2 (G130/G131)



See Page 57

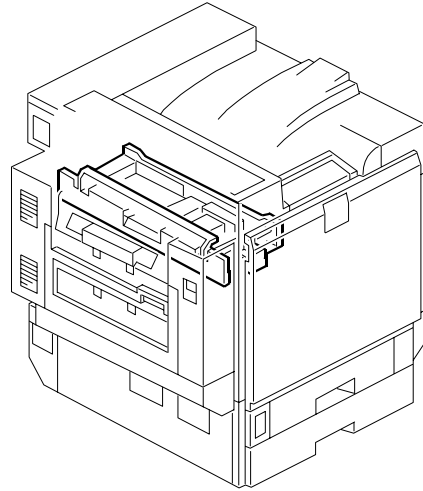
LOCATIONS OF UNITS

25. Paper Exit Section 3 (G130/G131)



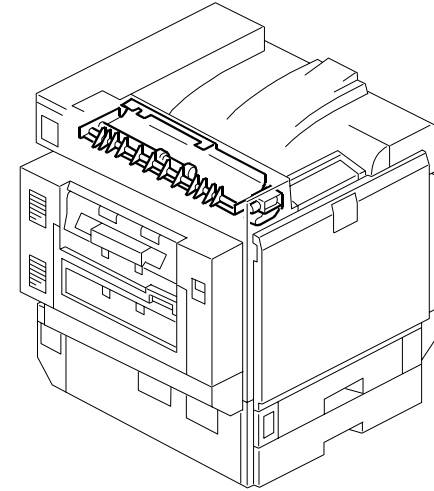
See Page 59

26. Paper Exit Section 5 (G130/G131)



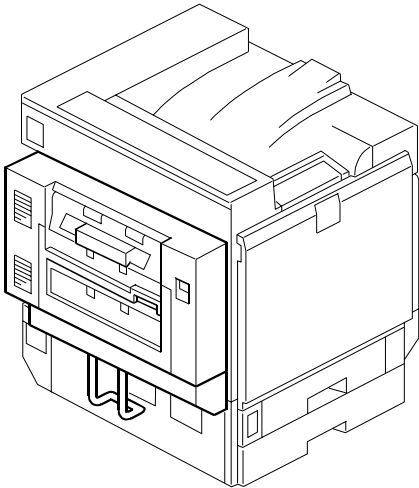
See Page 61

27. Paper Exit Section 4 (G130/G131)



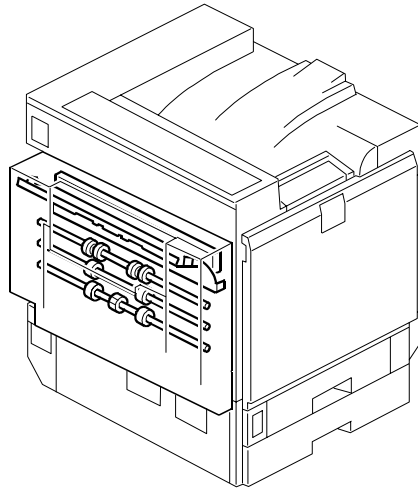
See Page 63

28. Duplex Section 1 (G131)



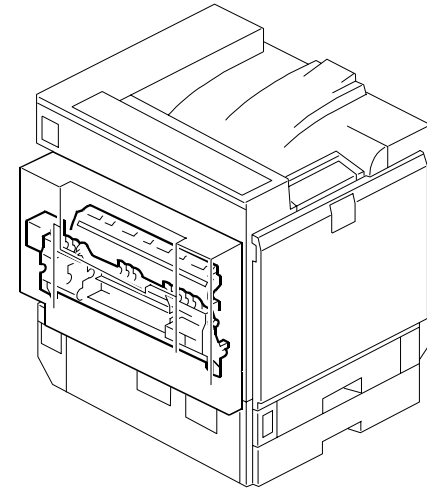
See Page 65

29. Duplex Section 2 (G131)



See Page 67

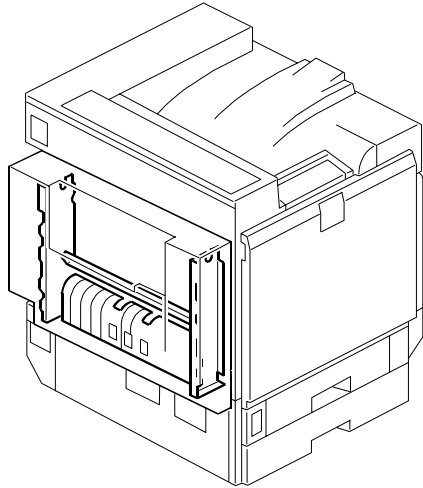
30. Duplex Section 3 (G131)



See Page 69

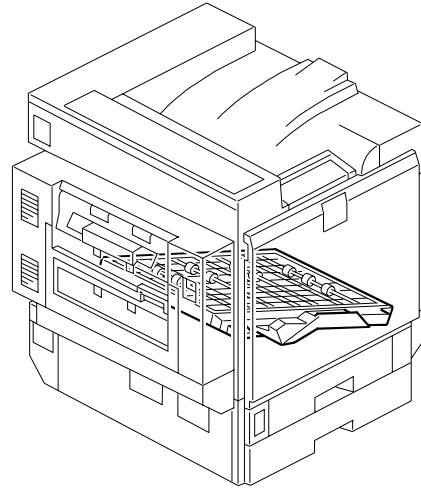
LOCATIONS OF UNITS

31. Duplex Section 4 (G131)



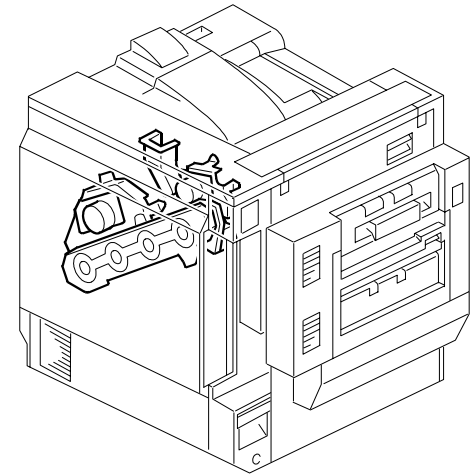
See Page 71

32. Duplex Section 5 (G131)



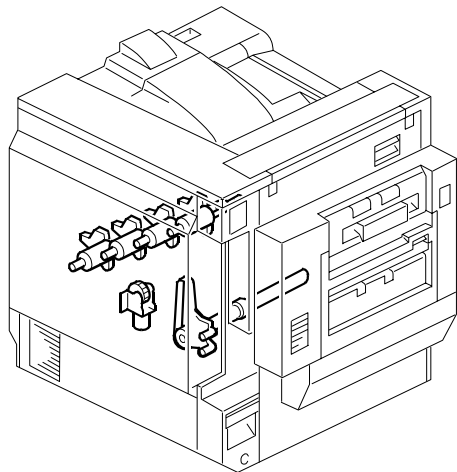
See Page 73

33. Drive Section 1 (G130/G131)



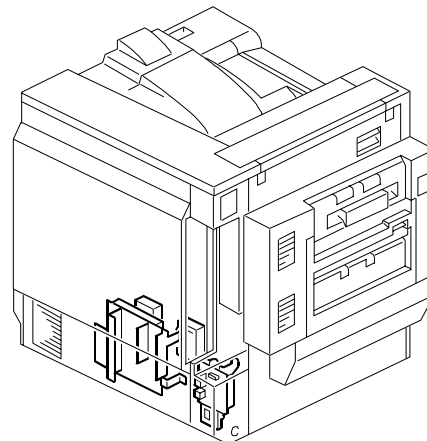
See Page 75

34. Drive Section 2 (G130/G131)



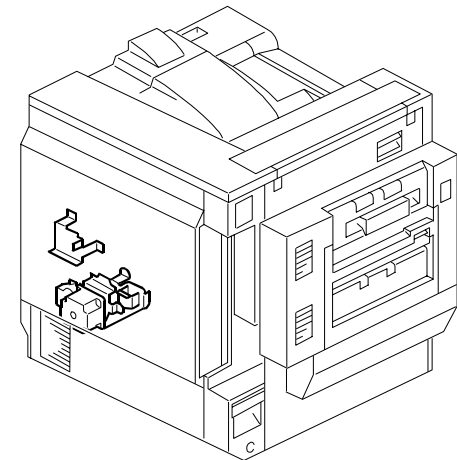
See Page 77

35. Drive Section 3 (G130/G131)



See Page 79

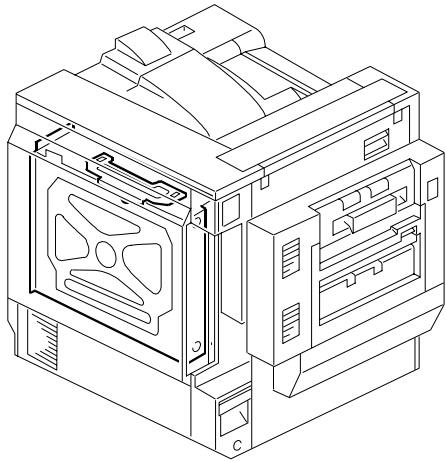
36. Drive Section 4 (G130/G131)



See Page 81

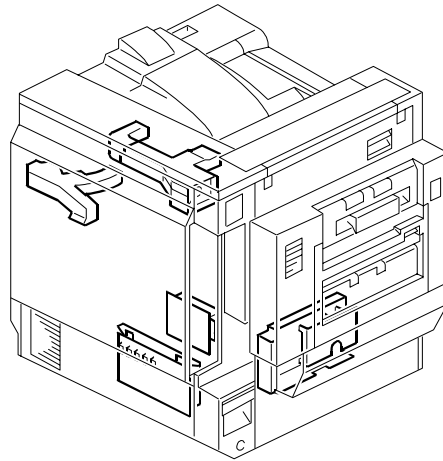
LOCATIONS OF UNITS

37. Electrical Section 1 (G130/G131)



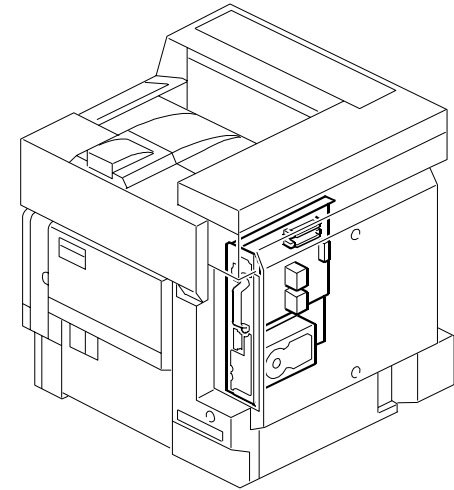
See Page 83

38. Electrical Section 2 (G130/G131)



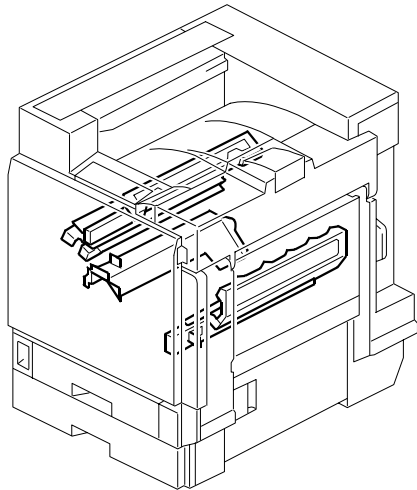
See Page 85

39. Printer Control Board (G130/G131)



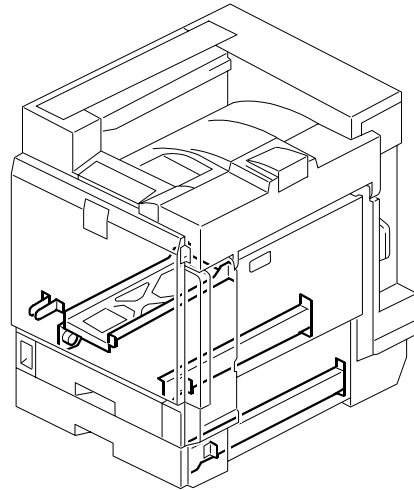
See Page 87

40. Frame Section 1 (G130/G131)



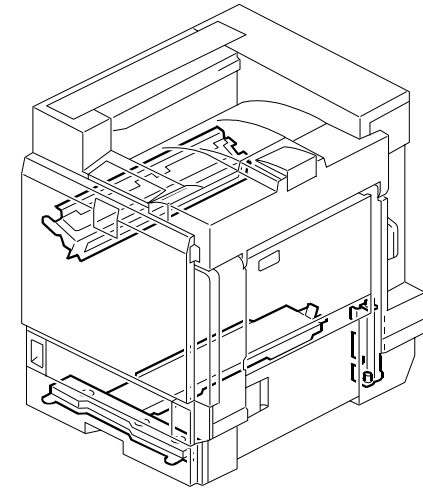
See Page 89

41. Frame Section 2 (G130/G131)



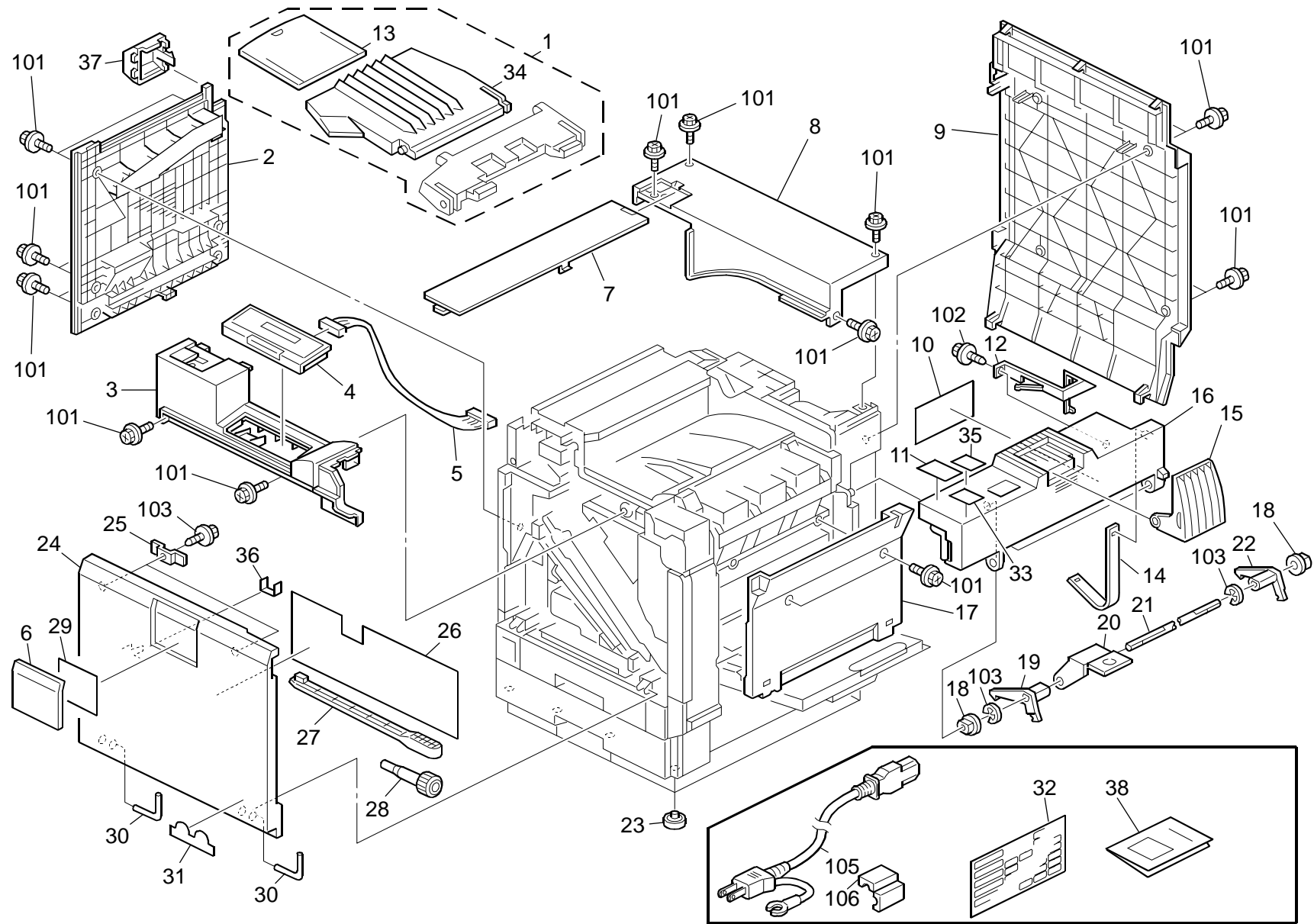
See Page 91

42. Frame Section 3 (G130/G131)



See Page 93

1.Exterior 1 (G130/G131)

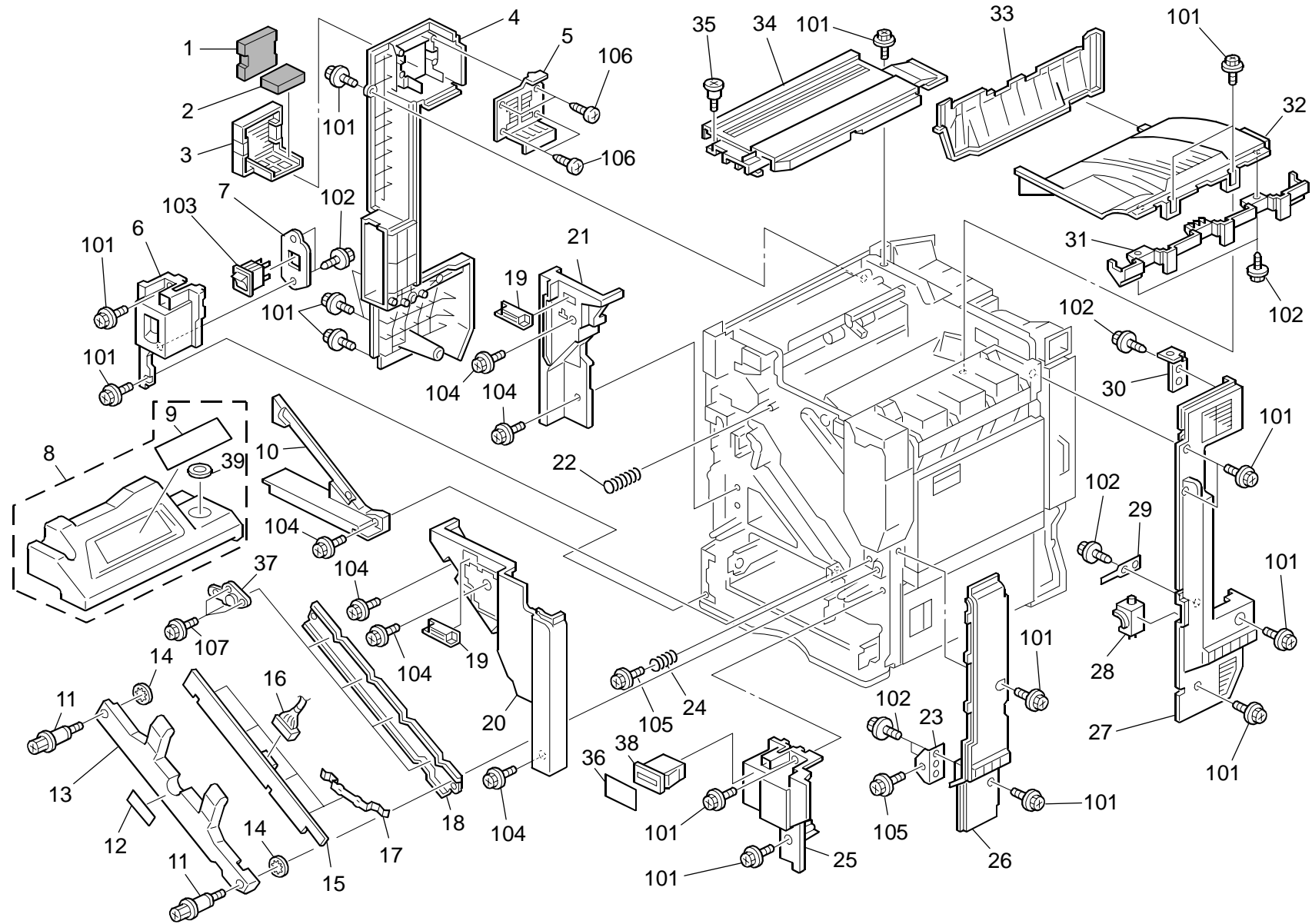


1.Exterior 1 (G130/G131)

Index No.	Part No.	Description	Q'ty Per Assembly
1	G060 4490	Exit Tray	1
2	B101 1220	Left Lower Cover Ass'y	1
3	G131 1283	Inner Cover:Upper	1
4	G131 6110	Operation Panel	1
5	G106 5360	Harness - Operation Sub-unit	1
6	B132 1531	Panel:Logo	1
7	G060 1288	Large Cover - Option	1
8	G080 1272	Cover:Upper:Rear	1
9	G077 1268	Rear Cover	1
10	GA00 3009	Sheet - Toner Supply	1
11	GA00 3038	Decal - Inkjet Paper Caution	1
12	G080 1319	Electrode:Ground Plate	1
13	G060 4492	Sub Exit Tray	1
14	G080 1321	Band:Stopper:Cover:Right Upper	1
15	G060 1293	Exit End Fence	1
16	G080 1265	Cover:Right:Upper	1
17	G080 1224	Inner Cover:Manual Feed:Ass'y	1
18	AA08 2101	Bushing - 6x10x6	2
19	B101 1312	Front Pawl Stopper	1
20	G080 1320	Grip:Cover:Right Upper:Peen	1
21	B101 1314	Stopper Pawl Shaft	1
22	B101 1313	Rear Pawl Stopper	1
23	B101 1097	Rubber Foot:H5	8
24	B180 1262	Cover:Front	1
25	B024 1264	Magnet Catch	1
26	G106 6106	Sheet:Operate:J-p3:EXP	1
27	B149 1995	Holder:Pad:Ass'y	1
28	G060 2989	Screw Driver	1
29	G130 6192	Sheet:Emblem:J-P4a:EXP	1
29	G130 6193	Sheet:Emblem:J-P4a:SVN	1
29	G130 6194	Sheet:Emblem:J-P4a:GES:NA	1
29	G130 6195	Sheet:Emblem:J-P4a:LAN	1
29	G130 6492	Sheet:Emblem:J-P4a:NRG:NSA	1
29	G130 6493	Sheet:Emblem:J-P4a:NRG:REX	1
29	G130 6494	Sheet:Emblem:J-P4a:NRG:GES	1

Index No.	Part No.	Description	Q'ty Per Assembly
29	G130 6692	Sheet:Emblem:J-P4a:INF	1
29	G131 6192	Sheet:Emblem:J-P4c:EXP	1
29	G131 6193	Sheet:Emblem:J-P4c:SVN	1
29	G131 6194	Sheet:Emblem:J-P4c:GES:NA	1
29	G131 6195	Sheet:Emblem:J-P4c:LAN	1
29	G131 6492	Sheet:Emblem:J-P4c:NRG:NSA	1
29	G131 6493	Sheet:Emblem:J-P4c:NRG:REX	1
29	G131 6494	Sheet:Emblem:J-P4c:NRG:GES	1
29	G131 6692	Sheet:Emblem:J-P4c:INF	1
30	G020 1332	Hinge - Front Cover	2
31	GA00 3034	Decal - Energystar	1
32	G131 6493	Sheet:Emblem:J-P4c:NRG:REX	1
32	GA00 3014	Decal - Paper Tray	1
33	G106 8550	Decal - Paper Jam	1
34	G060 4491	Exit Tray	1
35	GA00 3069	Decal:Toner Supply:English	1
36	GA16 2002	Sheet:Cover:Front	1
37	G060 1289	Small Cover - Option	1
101	0451 3008N	Tapping Screw - M3x8	
102	0450 3008N	Tapping Screw - M3x8	
103	0720 0040E	Retaining Ring - M4	
104	0451 3006N	Tapping Screw - 3x6	
105	1150 0373	Power Supply Code:125V 15A NA	
105	1150 0377	Power Supply Code:250V:10A:EU	
106	1607 0508	Ferrite Core	

2.Exterior 2 (G130/G131)

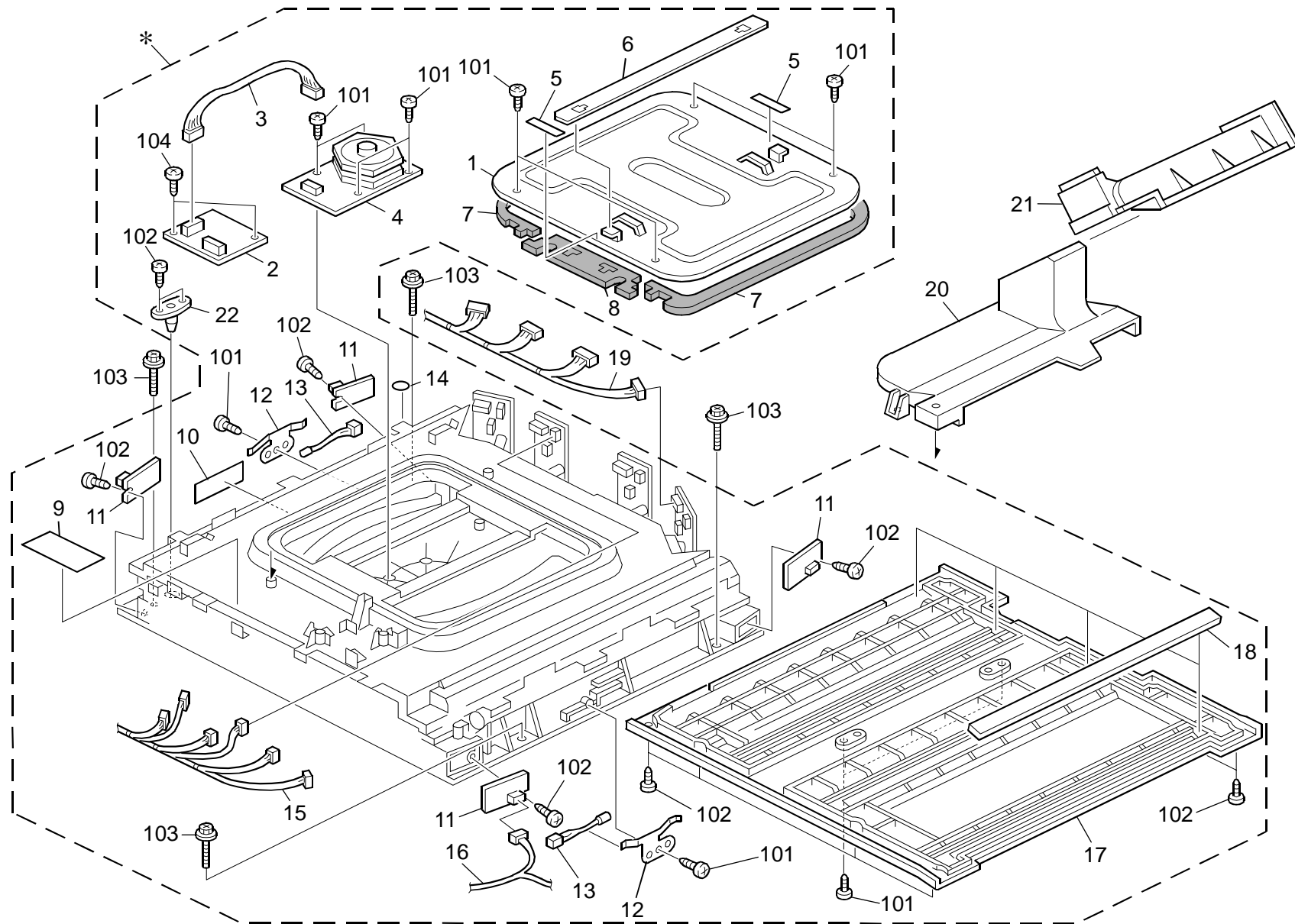


2.Exterior 2 (G130/G131)

Index No.	Part No.	Description	Q'ty Per Assembly
1	GA01 2000	Upper Filter	1
2	GA01 2001	Lower Filter	1
3	G060 1300	Filter Case	1
4	G060 1269	Left Rear Cover	1
5	G060 1281	Louver - Left Rear Cover	1
6	G060 1271	Front Cover - Left Lower	1
7	G060 5813	Bracket - Main Switch	1
8	G060 3600	Collection Bottle - Transfer Belt	1
9	G060 3609	Toner Collection Bottle Decal	1
10	G060 1285	Lower Inner Cover	1
11	G131 2460	Screw:M4x7:P4	2
12	GA00 3025	Decal - Drum Stay	1
13	G060 2455	Cover - Drum Stay	1
14	G060 2461	Nut - M7	2
15	G060 2457	Unit Detection Switch	1
16	G131 5489	Harness:New Article Sensor	1
17	G060 2456	Spring Plate- Unit Detection Switch	4
18	B180 2456	Drum Stay	1
19	AG07 1012	Magnet Catch:Ass'y	2
20	G080 1282	Inner Cover:Right	1
21	B101 1284	Left Inner Cover	1
22	G106 2481	Spring:Drum Stay:Left	1
23	B101 1302	Supporting Plate:Cover:Right Front:Grip	1
24	G106 2482	Spring:Drum Stay:Right	1
25	B101 1266	Right Lower Front Cover	1
26	G060 1287	Front Right Cover	1
27	G080 1267	Cover:Right:Rear	1
28	G060 2949	Magnetic Clutch Cover	1
29	G060 2950	Spring Plate - Clutch Cover	1
30	G131 1280	Supporting Plate:Cover:Right Rear	1
31	G080 1294	Inner Cover:Toner Cartridge	1
32	G077 1275	Upper Cover - Exit Tray	1
33	G060 1279	Exit Cover	1
34	G060 1274	Upper Exit Cover	1
35	AA14 3219	Stepped Screw	1

Index No.	Part No.	Description	Q'ty Per Assembly
36	B101 1389	Decal - Total Counter	1
37	B180 2455	Holder:Development Sleeve	4
38	AX31 0045	Total Counter:7fig:24v	1
39	G060 3602	Cap:Bottle	1
101	0451 3008N	Tapping Screw - M3x8	
102	0450 3008N	Tapping Screw - M3x8	
103	1204 2608	Rocker Switch:Sddje33900	
104	0802 5292	Tapping Screw:Round Point:M3x8	
105	0451 3006N	Tapping Screw - 3x6	
106	0452 3008N	Tapping Screw - M3x8	
107	0802 5291	Tapping Screw:Round Point:M3x6	

3.Laser Unit (G130/G131)

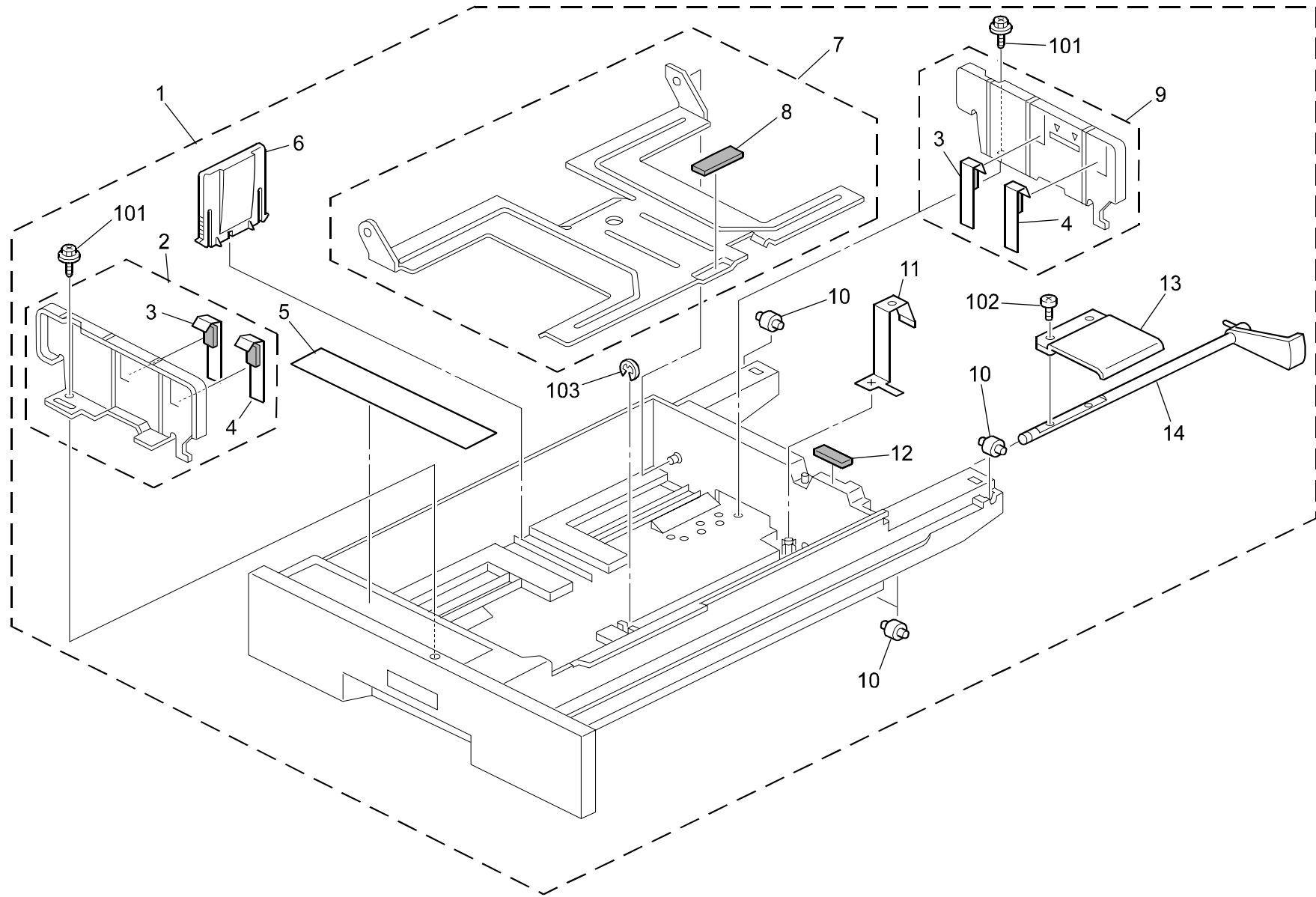


3.Laser Unit (G130/G131)

Index No.	Part No.	Description	Q'ty Per Assembly
*	G131 1854	Imaging Unit	1
1	G077 1904	Cover:Polygon Scanner:Peen	1
2	B180 5445	Polygon Mirror Motor Board	1
3	G106 5447	Harness - Polygon Mirror Motor	1
4	AX06 0286	Polygon Mirror Motor	1
5	G077 1972	Stopper:Grip	2
6	G077 1971	Grip:Imaging Unit	1
7	G077 1906	Shield:Cover:Polygon Scanner:1	2
8	G077 1907	Shield:Cover:Polygon Scanner:2	2
9	AA00 0217	Decal - LD 655	1
10	AA00 0218	Caution Decal	1
11	B132 5185	PCB:Sync Detector Board:Side	4
12	G060 1908	Thermistor Plate	2
13	AW10 0100	Thermistor:Imaging Unit	2
14	G060 1972	Shield:Cover:Upper	1
15	G131 5420	Harness:Imaging Unit	1
16	B180 5421	Harness:Sync Detector:Cm	1
17	G060 1975	Lower Cover	1
18	AC01 5035	Shield Glass	4
19	G131 5422	Harness:Imaging Unit	1
20	G080 1183	Duct:Tray:Exit:Ass'y	1
21	G077 1042	Duct:Imaging Unit	1
22	G060 1901	Positioning Pin	1

Index No.	Part No.	Description	Q'ty Per Assembly
101	0452 3008N	Tapping Screw - M3x8	
102	0452 3010N	Binding Self-tapping Screw:3x10	
103	0451 3010N	Tapping Screw:3x10	
104	0452 3006N	Binding Self-tapping Screw:3x6	

4.1st Cassette (G130/G131)

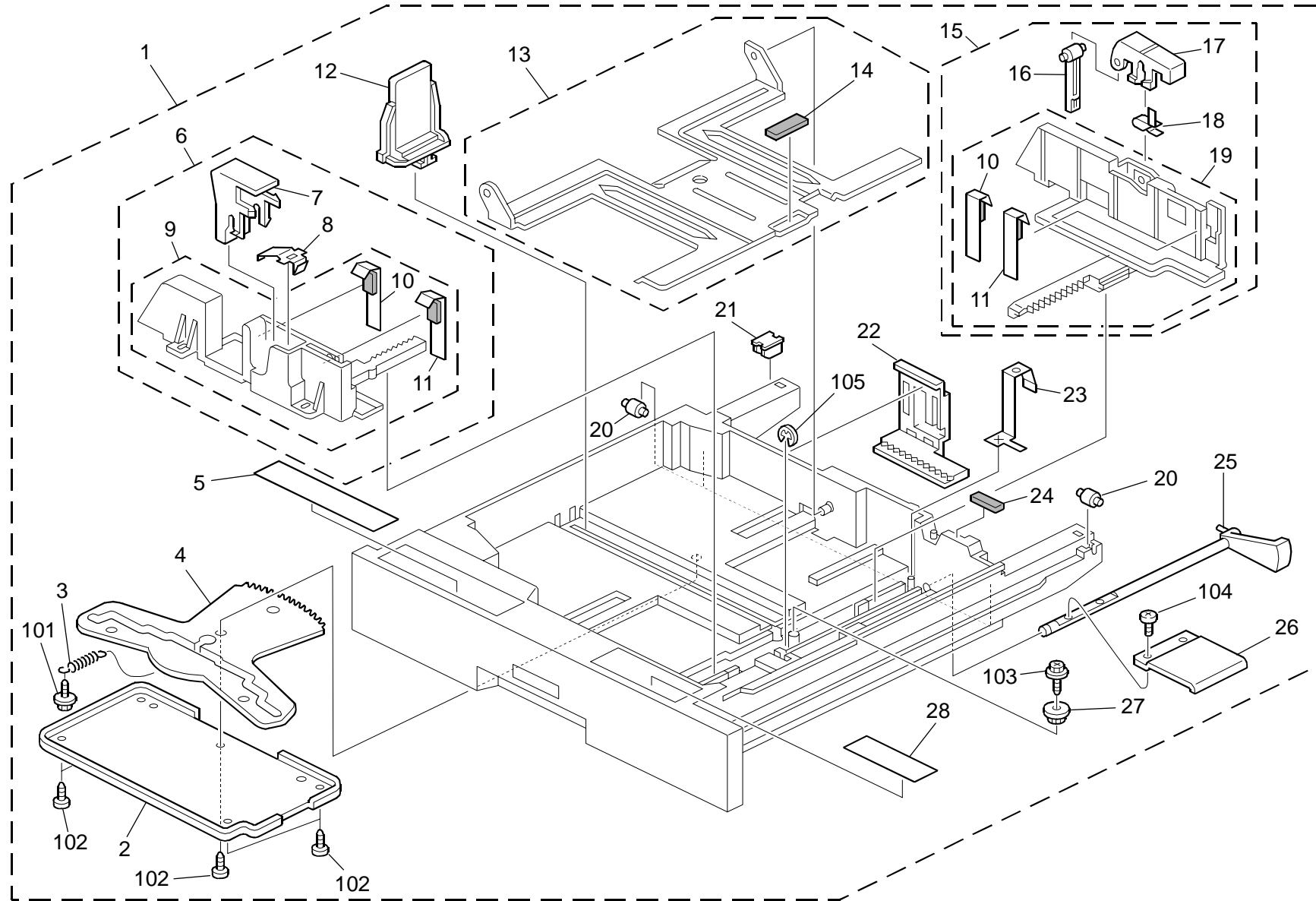


4.1st Cassette (G130/G131)

Index No.	Part No.	Description	Q'ty Per Assembly
1	B180 2768	Paper Tray:No.1:A4:Ass'y	1
2	B180 2777	Side Fence:Front:Fix:Adhesion	1
3	B180 2793	Plate:Side Fence	2
4	B180 2794	Plate:Side Fence:Right	2
5	GA00 3066	Decal:Paper Tray:No.1	1
6	AF01 7023	End Fence	1
7	G060 2770	Tray Bottom Plate:Ass'y	1
8	AF01 3006	Bottom Plate Pad	1
9	B180 2779	Side Fence:Rear:Fix:Adhesion	1
10	A232 2987	Roller - Paper Tray	4
11	G060 2775	Spring Plate - Paper Tray	1
12	B180 2782	Seal:Tray	1
13	B180 2972	Lever:Rise:Tray Bottom Plate	1
14	G060 2774	Lift Shaft	1

Index No.	Part No.	Description	Q'ty Per Assembly
101	0450 4008N	Tapping Screw - M4x8	
102	0354 0060N	Screw-m4x6	
103	0720 0060E	Retaining Ring - M6	

5.2nd Cassette (G130/G131)

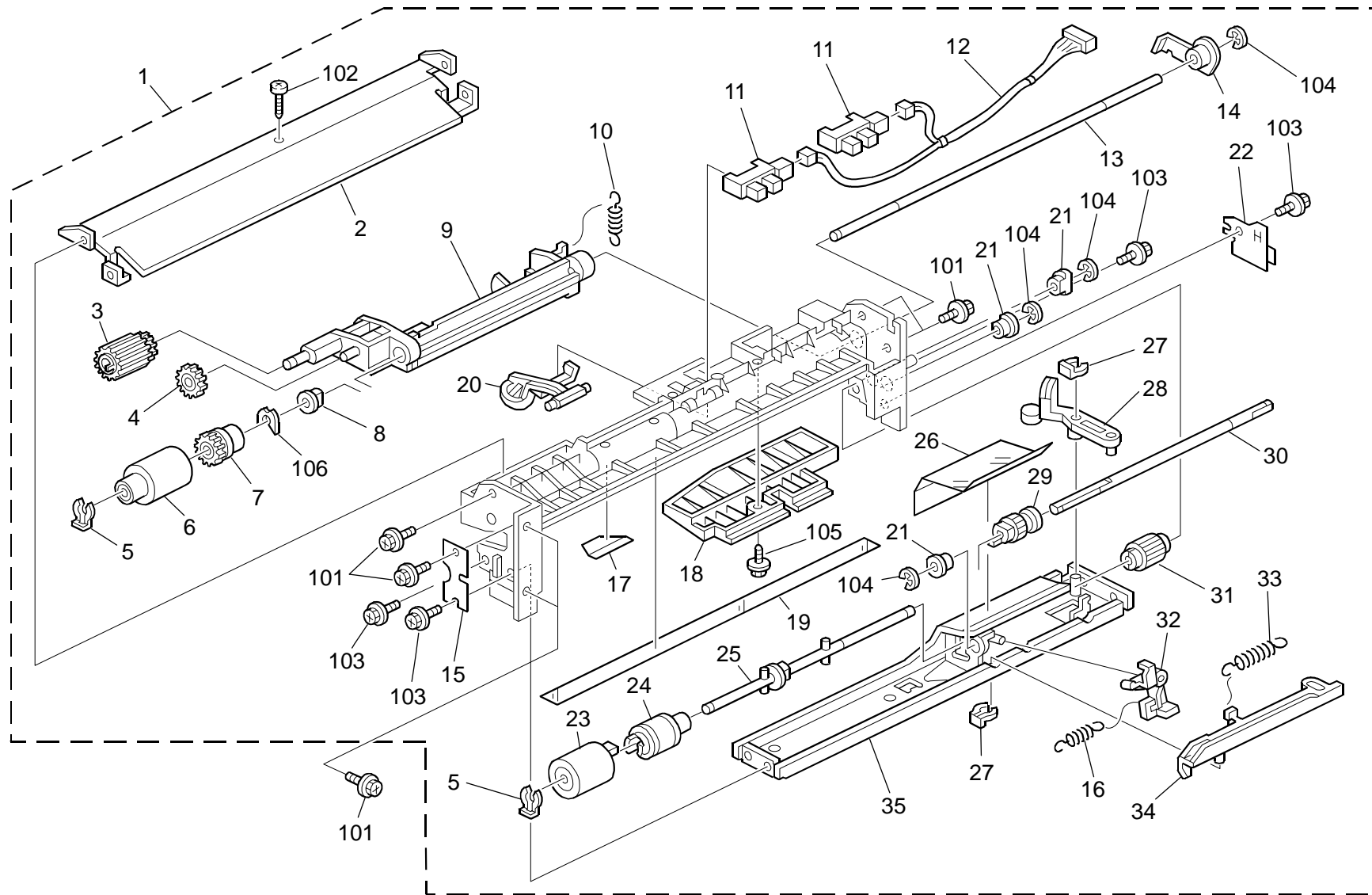


5.2nd Cassette (G130/G131)

Index No.	Part No.	Description	Q'ty Per Assembly
1	B180 2772	Paper Tray:No.2:Ass'y	1
2	G107 2798	Paper Size Sensor Cover	1
3	G060 2806	Tension Spring - Paper Size Sensor Board	1
4	G077 2796	Link:Paper Size Sensor Board	1
5	GA00 3067	Decal:Paper Tray:No.2:Left	1
6	B180 2781	Side Fence:Front:Universal:Ass'y	1
7	A134 2976	Stopper Lever	1
8	A134 2978	Spring Plate	1
9	B180 2789	Side Fence:Front:Universal:Adhesion	1
10	B180 2795	Plate:Side Fence:F2	2
11	B180 2796	Plate:Side Fence:Right:F2	2
12	AF01 7024	End Fence - Universal	1
13	G060 2770	Tray Bottom Plate:Ass'y	1
14	AF01 3006	Bottom Plate Pad	1
15	B180 2783	Side Fence:Rear:Universal:Ass'y	1
16	A267 2859	Side Fence Stopper	1
17	A267 2860	Rear Lever Stopper	1
18	A267 2857	Spring Plate - Side Fence	1
19	B180 2790	Side Fence:Rear:Universal:Adhesion	1
20	A232 2987	Roller - Paper Tray	3
21	G080 2526	Shoe:Paper Tray	1
22	G060 2797	Paper Size Sensor Board	1
23	G060 2775	Spring Plate - Paper Tray	1
24	B180 2782	Seal:Tray	1
25	G060 2774	Lift Shaft	1
26	B180 2972	Lever:Rise:Tray Bottom Plate	1
27	AB01 3868	Gear - 16Z	1
28	GA00 3068	Decal:Paper Tray:No.2:Right	1

Index No.	Part No.	Description	Q'ty Per Assembly
101	0451 3006N	Tapping Screw - 3x6	
102	0452 3008N	Tapping Screw - M3x8	
103	0450 4008N	Tapping Screw - M4x8	
104	0354 0060N	Screw-m4x6	
105	0720 0060E	Retaining Ring - M6	

6.1st Paper Feed Section (G130/G131)

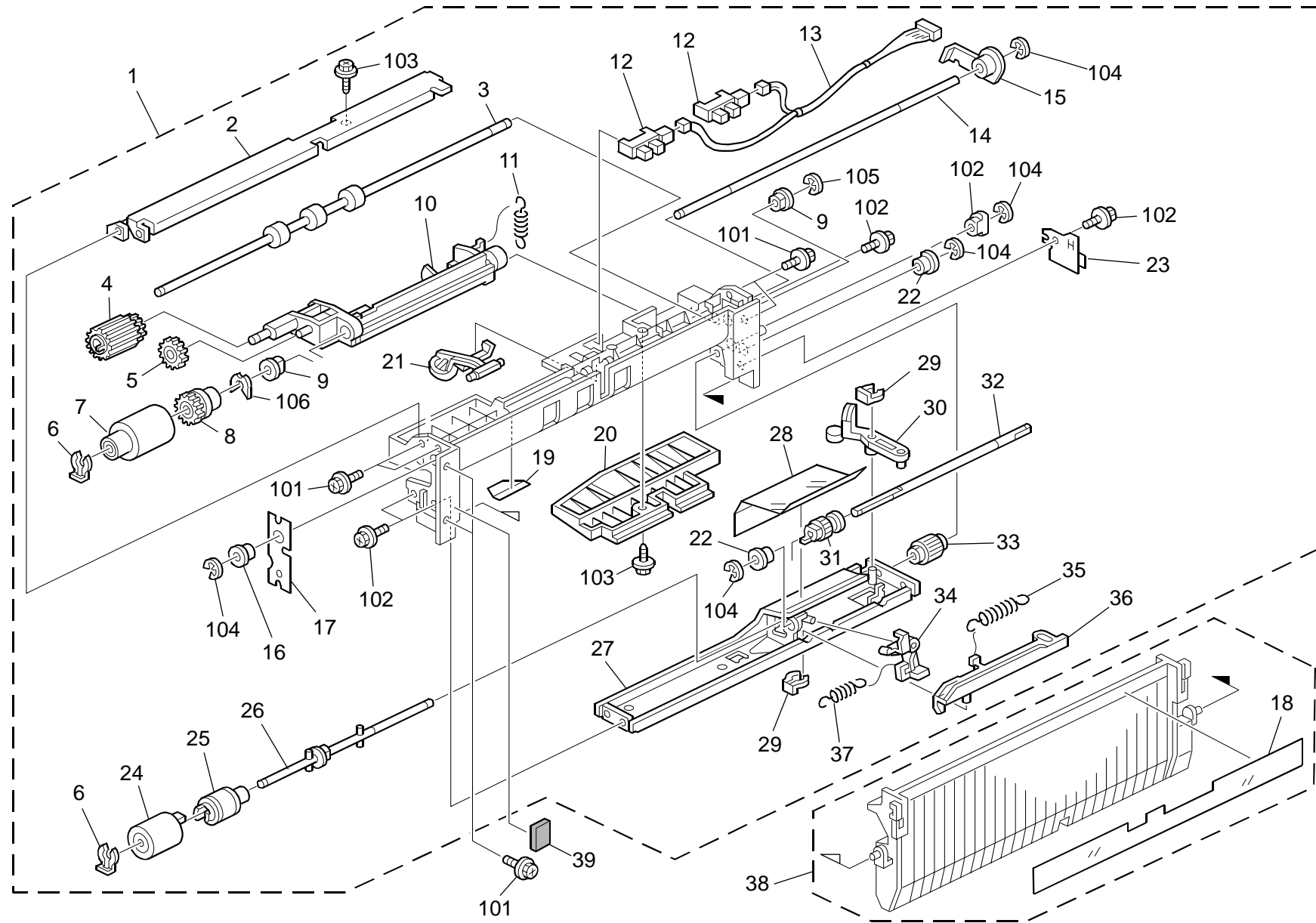


6.1st Paper Feed Section (G130/G131)

Index No.	Part No.	Description	Q'ty Per Assembly
1	B180 2701	Paper Feed Unit:No.1:Ass'y	1
2	B180 2717	Stay:Feed	1
3	AF03 0049	Pick-up Roller	1
4	AB01 1188	Gear - 21Z	1
5	AA10 0014	Retaining Ring C - Separate	3
6	AF03 1049	Feed Roller	1
7	AB01 1218	Gear - Roller Clutch	1
8	AA08 2101	Bushing - 6x10x6	1
9	G080 2761	Arm:Pickup	1
10	AA06 0691	Tension Spring	1
11	AW02 0145	Photointerruptor:Flat	2
12	B180 5380	Harness:Paper Feed Unit	1
13	AA14 0655	Shaft - Paper Feed	1
14	G065 2767	Lever - Feed	1
15	G080 2763	Ground Plate:Front:Paper Feed Unit	1
16	AA06 0693	Tension Spring	1
17	A232 2766	Feed Mylar	1
18	G080 2762	Guide Plate:Paper Feed Unit	1
19	G060 2724	Upper Guide - Paper Feed Unit	1
20	A232 2762	Paper End Feeler	1
21	AA08 2102	Bushing - 6x10x6	3
22	A232 2764	Rear Grounding Plate	1
23	AF03 2049	Separation Roller	1
24	B180 2900	Torque Limiter:40mn.m:MM18	1
25	G060 2689	Shaft - Separation Driven	1
26	G060 2786	Rear Feed Mylar	1
27	5206 2686	Snap Ring	2
28	G065 2776	Release Lever	1
29	AB01 0106	Gear - 24Z	1
30	AA14 0656	Shaft - Gear	1
31	AB01 0107	Gear - 23Z	1
32	G065 2774	Pressure Lever	1
33	AA06 0908	Release Spring	1
34	G065 2775	Link Lever	1
35	B180 2727	Stay:Separate:No.1:Ass'y	1

Index No.	Part No.	Description	Q'ty Per Assembly
101	0451 3006N	Tapping Screw - 3x6	
102	0452 3008N	Tapping Screw - M3x8	
103	0451 3008N	Tapping Screw - M3x8	
104	0720 0040E	Retaining Ring - M4	
105	0450 3008N	Tapping Screw - M3x8	
106	0805 0089	Retaining Ring - M4	

7.2nd Paper Feed Section (G130/G131)

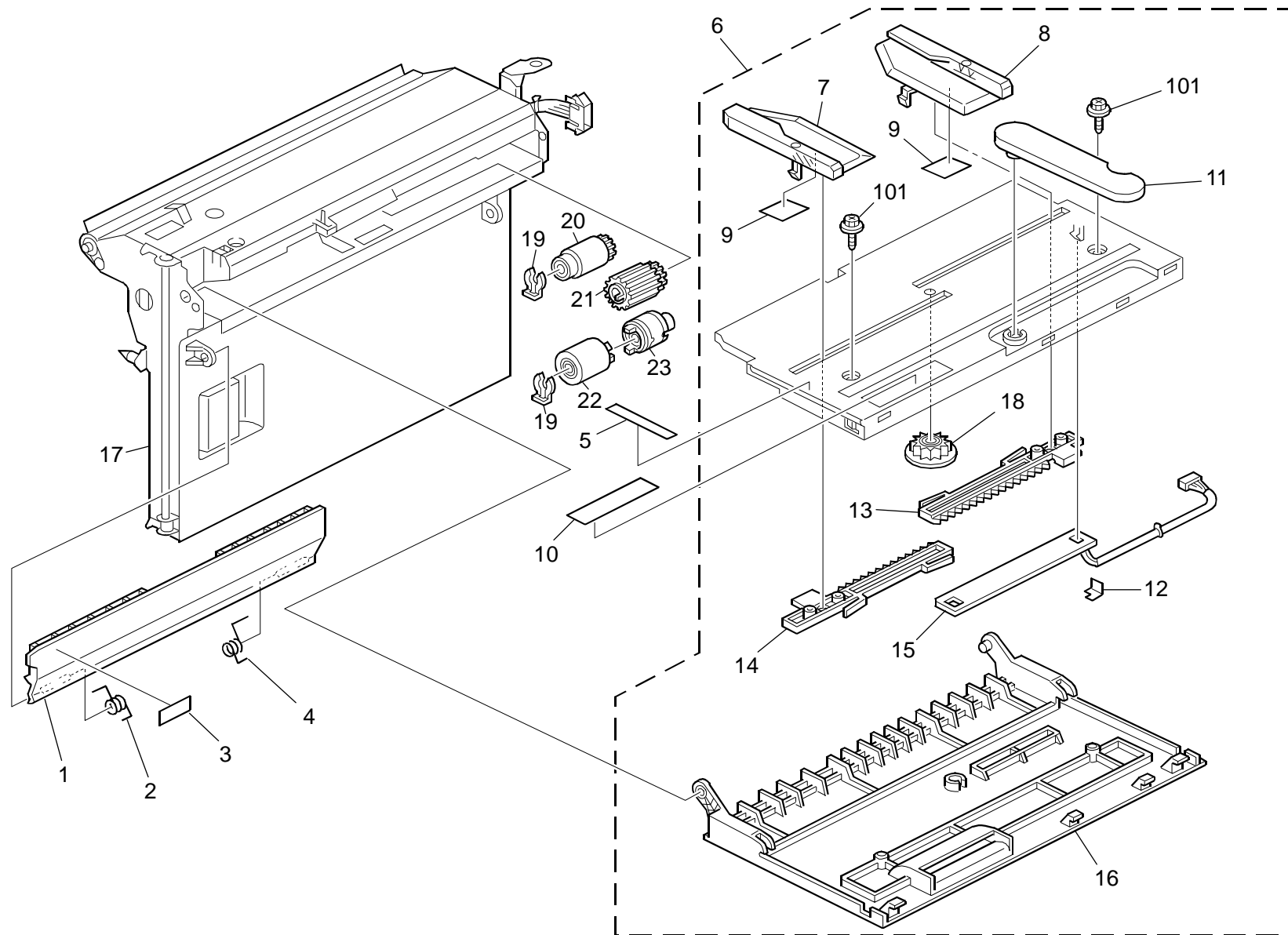


7.2nd Paper Feed Section (G130/G131)

Index No.	Part No.	Description	Q'ty Per Assembly
1	B180 2702	Paper Feed Unit:No.2:Ass'y	1
2	B180 2780	Stay:Feed	1
3	AF02 0404	Transport Roller	1
4	AF03 0049	Pick-up Roller	1
5	AB01 1188	Gear - 21Z	1
6	AA10 0014	Retaining Ring C - Separate	2
7	AF03 1049	Feed Roller	1
8	AB01 1218	Gear - Roller Clutch	1
9	AA08 2101	Bushing - 6x10x6	2
10	G080 2761	Arm:Pickup	1
11	AA06 0691	Tension Spring	1
12	AW02 0145	Photointerruptor:Flat	2
13	B180 5380	Harness:Paper Feed Unit	1
14	AA14 0655	Shaft - Paper Feed	1
15	G065 2767	Lever - Feed	1
16	AA08 2104	Bushing - 8x12x7	1
17	A232 2765	Front Grounding Plate	1
18	G060 2629	Vertical Transport Guide	1
19	A232 2766	Feed Mylar	1
20	G080 2762	Guide Plate:Paper Feed Unit	1
21	A232 2762	Paper End Feeler	1
22	AA08 2102	Bushing - 6x10x6	2
23	A232 2764	Rear Grounding Plate	1
24	AF03 2049	Separation Roller	1
25	B180 2900	Torque Limiter:40mn.m:MM18	1
26	G060 2689	Shaft - Separation Driven	1
27	B180 2725	Stay:Separate:No.2:Ass'y	1
28	B004 2782	Rear Feed Mylar	1
29	5206 2686	Snap Ring	2
30	G065 2776	Release Lever	1
31	AB01 0106	Gear - 24Z	1
32	AA14 0656	Shaft - Gear	1
33	AB01 0107	Gear - 23Z	1
34	G065 2774	Pressure Lever	1
35	AA06 0908	Release Spring	1

Index No.	Part No.	Description	Q'ty Per Assembly
36	G065 2775	Link Lever	1
37	AA06 0693	Tension Spring	1
38	G060 2630	Guide Plate:Swivel:Adhesion	1
39	G080 2540	Cushion:Vertical Transport	1
101	0451 3006N	Tapping Screw - 3x6	
102	0451 3008N	Tapping Screw - M3x8	
103	0450 3008N	Tapping Screw - M3x8	
104	0720 0040E	Retaining Ring - M4	
105	0720 0060E	Retaining Ring - M6	
106	0805 0089	Retaining Ring - M4	

8.Manual Paper Feed 1 (G130/G131)

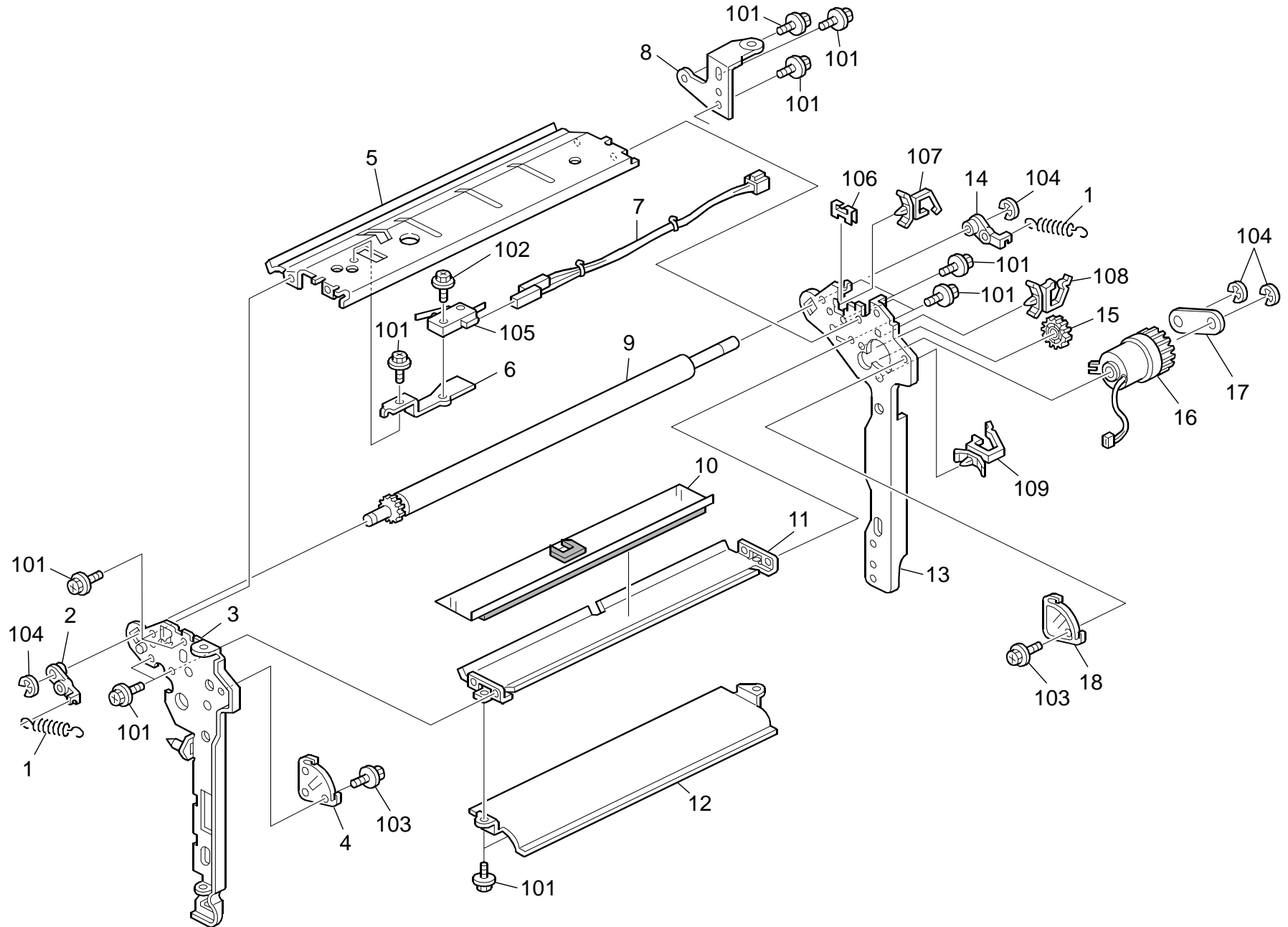


8.Manual Paper Feed 1 (G130/G131)

Index No.	Part No.	Description	Q'ty Per Assembly
1	G060 2940	Cover - Lower Manual Feed	1
2	G080 2952	Torsion Spring:Cover:Right	1
3	GA00 3044	Decal - Vertical Transport 2	1
4	G080 2953	Torsion Spring:Cover:Left	1
5	GA00 3038	Decal - Inkjet Paper Caution	1
6	G060 2856	Manual Feed Table Ass'y	1
7	G060 2866	Front Side Fence	1
8	G060 2867	Rear Side Fence	1
9	G060 2908	Pad - Side Fence	2
10	GA00 3010	Decal - Manual Feed	1
11	G060 2905	Paper Guide - Manual Feed Tabl	1
12	B180 2909	Guide:Harness:Paper Size Sensor Board	1
13	A232 6083	Rear Rack	1
14	A232 6082	Front Rack	1
15	B180 2869	Paper Size Sensor	1
16	G060 2865	Cover - Manual Feed Table	1
17	B180 2531	Transport Sub-unit:Lengthwise	1
18	G011 3305	Gear - 16Z	1
19	AA10 0014	Retaining Ring C - Separate	2
20	AF03 1046	Feed Roller - Manual Feed	1
21	AF03 0049	Pick-up Roller	1
22	AF03 2046	Separation Roller - Manual Feed	1
23	G080 2900	Torque Limiter	1

Index No.	Part No.	Description	Q'ty Per Assembly
101	0450 3008N	Tapping Screw - M3x8	

9.Vertical Transport 1 (G130/G131)

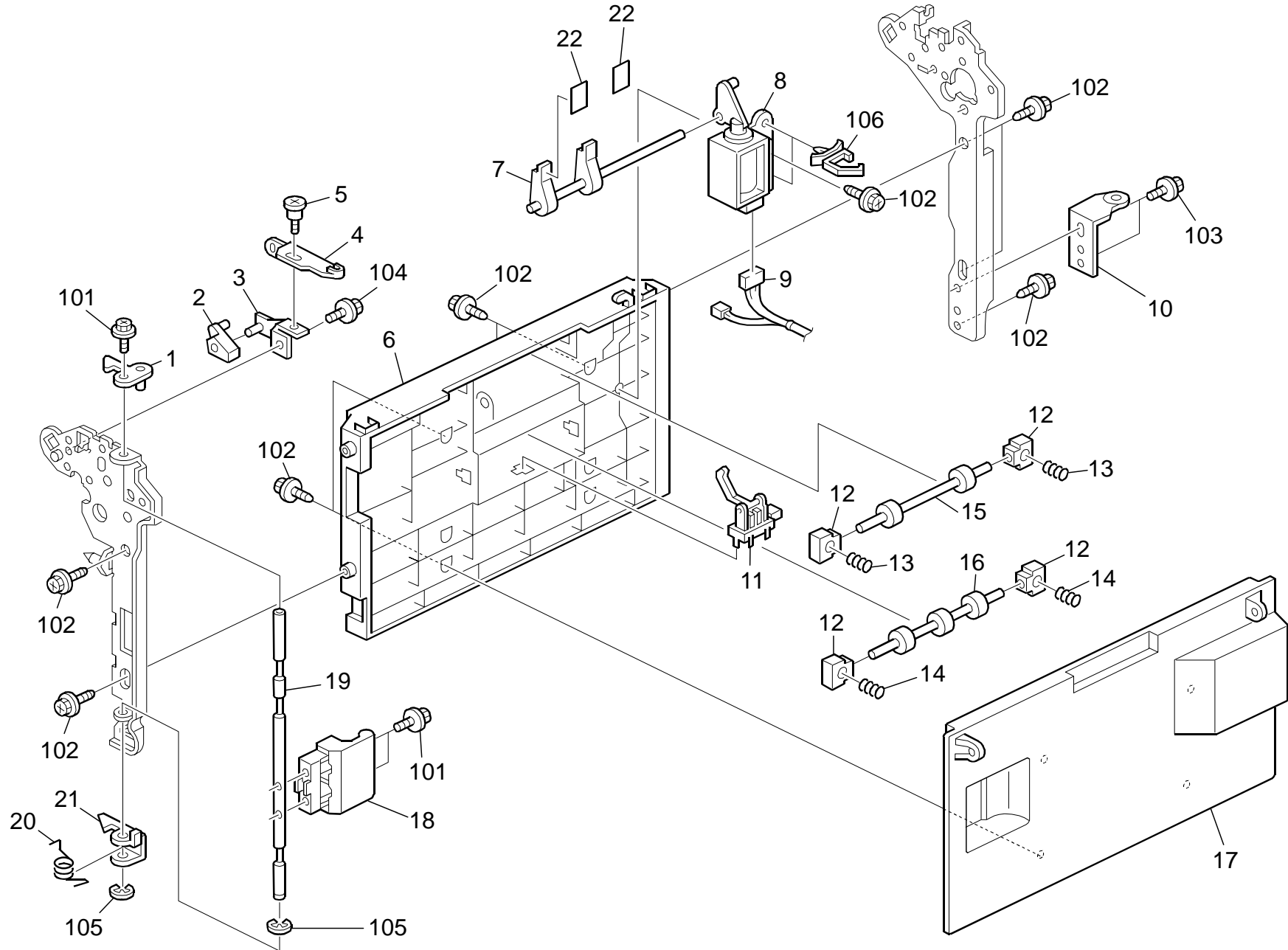


9.Vertical Transport 1 (G130/G131)

Index No.	Part No.	Description	Q'ty Per Assembly
1	G060 2602	Spring - Registration	2
2	G080 2650	Bushing:Registration:Front:Driven	1
3	B180 2660	Side Plate:Paper Feed:Front:Ass'y	1
4	G060 2973	Front Shaft - Manual Feed Table	1
5	B180 2669	Cover:Upper:Registration	1
6	B180 2680	Bracket:Micro Switch	1
7	G080 5501	Harness:Vertical Transport:Safety Switch	1
8	B180 2667	Hinge:Vertical Transport	1
9	B180 2686	Registration Roller:Driven:Ass'y	1
10	G077 2839	Guide:Remove Paper Dust:Ass'y	1
11	G080 2612	Guide Plate:Registration:Upper	1
12	G080 2614	Guide Plate:Registration:Middle	1
13	B180 2663	Side Plate:Paper Feed:Rear:Ass'y	1
14	G060 2651	Rear Bushing - M6	1
15	AB01 1418	Gear - 27Z	1
16	AX20 0288	Magnetic Clutch:245mn.m	1
17	A166 2849	Drive Support Plate	1
18	G060 2974	Rear Shaft - Manual Feed Table	1

Index No.	Part No.	Description	Q'ty Per Assembly
101	0451 3006N	Tapping Screw - 3x6	
102	0451 3010N	Tapping Screw:3x10	
103	0802 5291	Tapping Screw:Round Point:M3x6	
104	0720 0040E	Retaining Ring - M4	
105	1204 2521	Micro Switch	
106	1105 0551	Clamp:LES-0505	
107	1105 0511	Harness Clamp - LWS-0306ZC	
108	1105 0516	Clamp	
109	1105 0487	Harness Clamp	

10.Vertical Transport 2 (G130/G131)

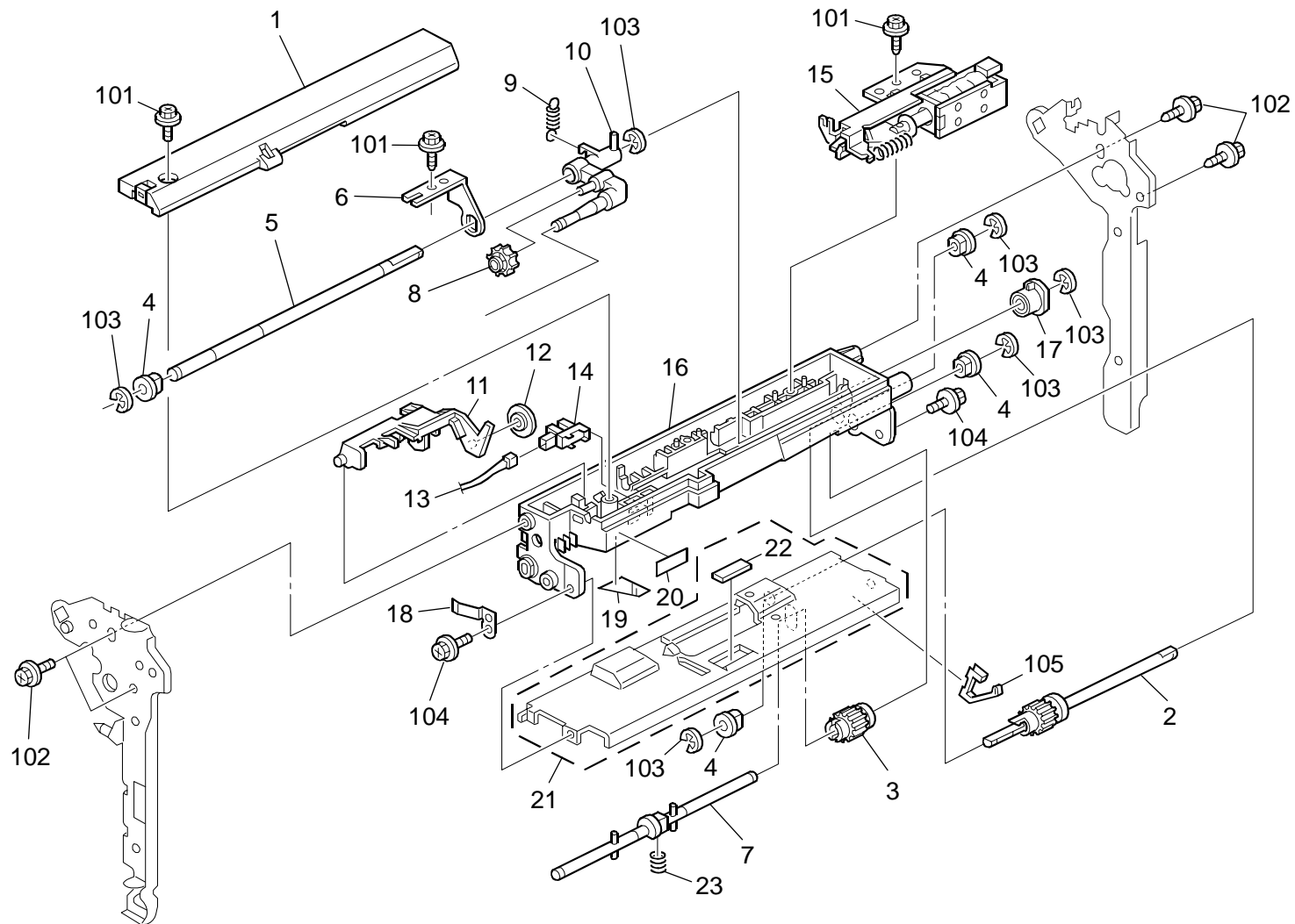


10.Vertical Transport 2 (G130/G131)

Index No.	Part No.	Description	Q'ty Per Assembly
1	B180 2670	Hook:Vertical Transport:Upper:Peen	1
2	G080 2651	Link:Pressure Release:Registration	1
3	B180 2652	Bracket:Link	1
4	G080 2649	Slider:Registration:Release	1
5	AA14 3800	Stepped Screw - M3	1
6	G080 2643	Guide Plate:Vertical Transport	1
7	B180 2645	Arm:Roller:Release	1
8	B180 2644	DC Solenoid:Ass'y	1
9	G080 5506	Harness:Vertical Transport	1
10	B180 2683	Hinge:Vertical Transport:Lower	1
11	AW02 0151	Photointerruptor	1
12	G060 2652	Bushing - M4	4
13	G080 2656	Compression Spring:Driven:2n	2
14	AA06 3616	Spring - 8n	2
15	AF02 2158	Roller:Driven:2xmm17	1
16	AF02 2159	Roller:Driven:3xmm17	1
17	G080 2668	Cover:Vertical Transport	1
18	G060 2690	Lever - Vertical Transport	1
19	G080 2673	Shaft:Grip	1
20	G060 2674	Torsion Spring - Vertical Transport	1
21	B180 2672	Hook:Vertical Transport:Lower	1
22	B180 2657	Guide:Arm:Release	2

Index No.	Part No.	Description	Q'ty Per Assembly
101	0360 3006N	Screw - M3X6	
102	0450 3008N	Tapping Screw - M3x8	
103	0451 3006N	Tapping Screw - 3x6	
104	0802 5291	Tapping Screw:Round Point:M3x6	
105	0720 0040E	Retaining Ring - M4	
106	1105 0511	Harness Clamp - LWS-0306ZC	

11.Vertical Transport 3 (G130/G131)

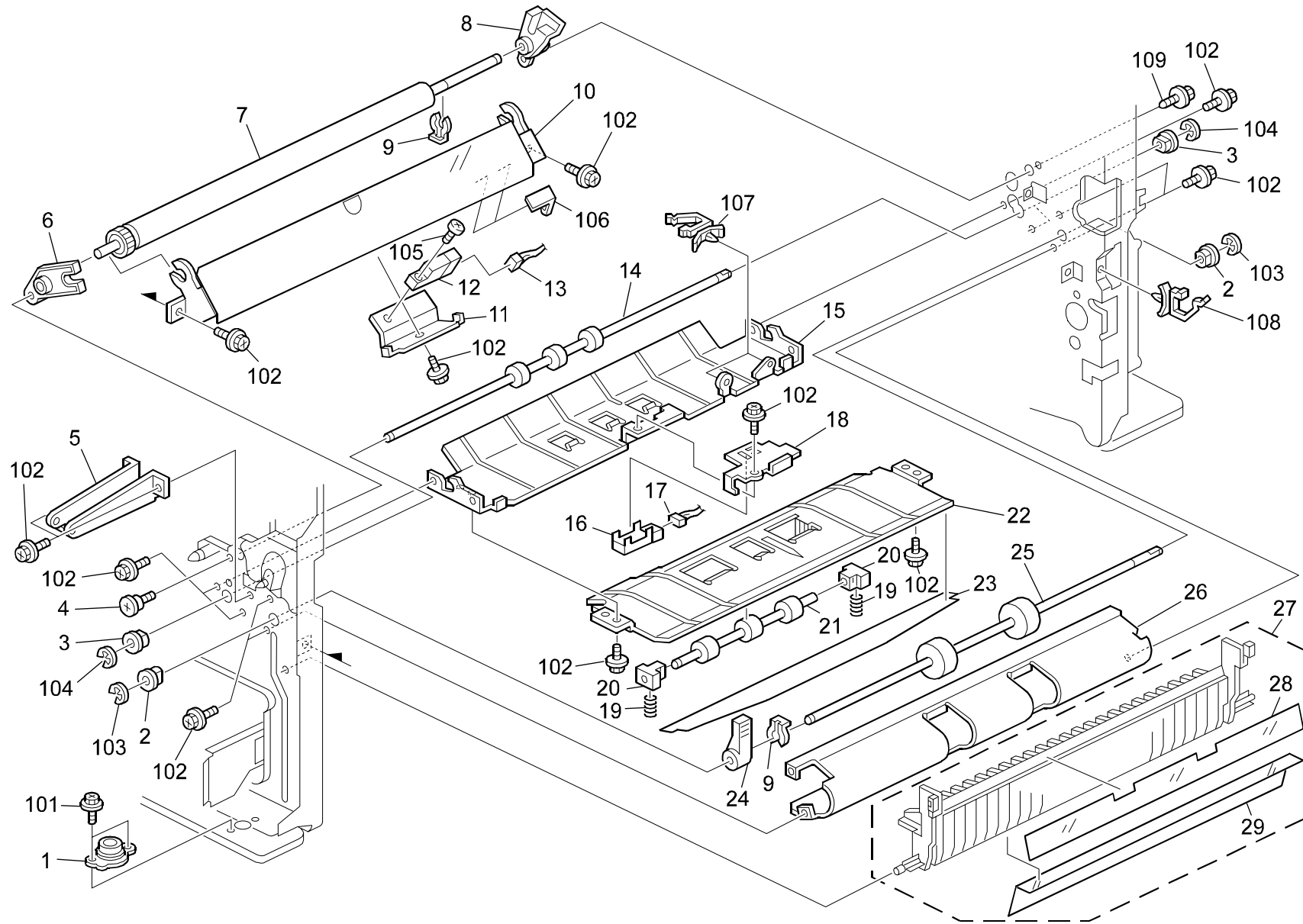


11.Vertical Transport 3 (G130/G131)

Index No.	Part No.	Description	Q'ty Per Assembly
1	G060 2930	Housing Cover	1
2	B180 2876	Shaft:Separator:Drive:Ass'y	1
3	AB01 1417	Gear - Separation Driven	1
4	AA08 2101	Bushing - 6x10x6	4
5	B180 2681	Feed Shaft	1
6	B180 2914	Guide Plate:Feed	1
7	B180 2871	Shaft:Separator:Driven:Ass'y	1
8	AB01 1387	Gear - 23Z	1
9	AA06 3568	Pressure Spring	1
10	G060 2932	Pick-up Arm - Manual Feed	1
11	G060 2931	Feeler - Paper End	1
12	A134 2661	Feeler Roller	1
13	G080 5479	Harness:Manual Feed Unit	1
14	AW02 0145	Photointerruptor:Flat	1
15	B180 2937	DC Solenoid:Pickup:Sub-ass'y	1
16	G060 2928	Housing:Manual Feed	1
17	G080 2682	Bushing:Feed	1
18	G060 2948	Grounding Plate - Reverse	1
19	G060 2982	Feed Guide	1
20	GA00 3044	Decal - Vertical Transport 2	1
21	B180 2874	Guide Plate:Separator:Adhesion	1
22	AF01 3016	Bottom Plate Pad	1
23	AA06 3499	Pressure Spring	1

Index No.	Part No.	Description	Q'ty Per Assembly
101	0450 3008N	Tapping Screw - M3x8	
102	0450 3006N	Tapping Screw - M3x6	
103	0720 0040E	Retaining Ring - M4	
104	0451 3006N	Tapping Screw - 3x6	
105	1105 0522	Edge Saddle - LES0510	

12.Paper Resistration (G130/G131)

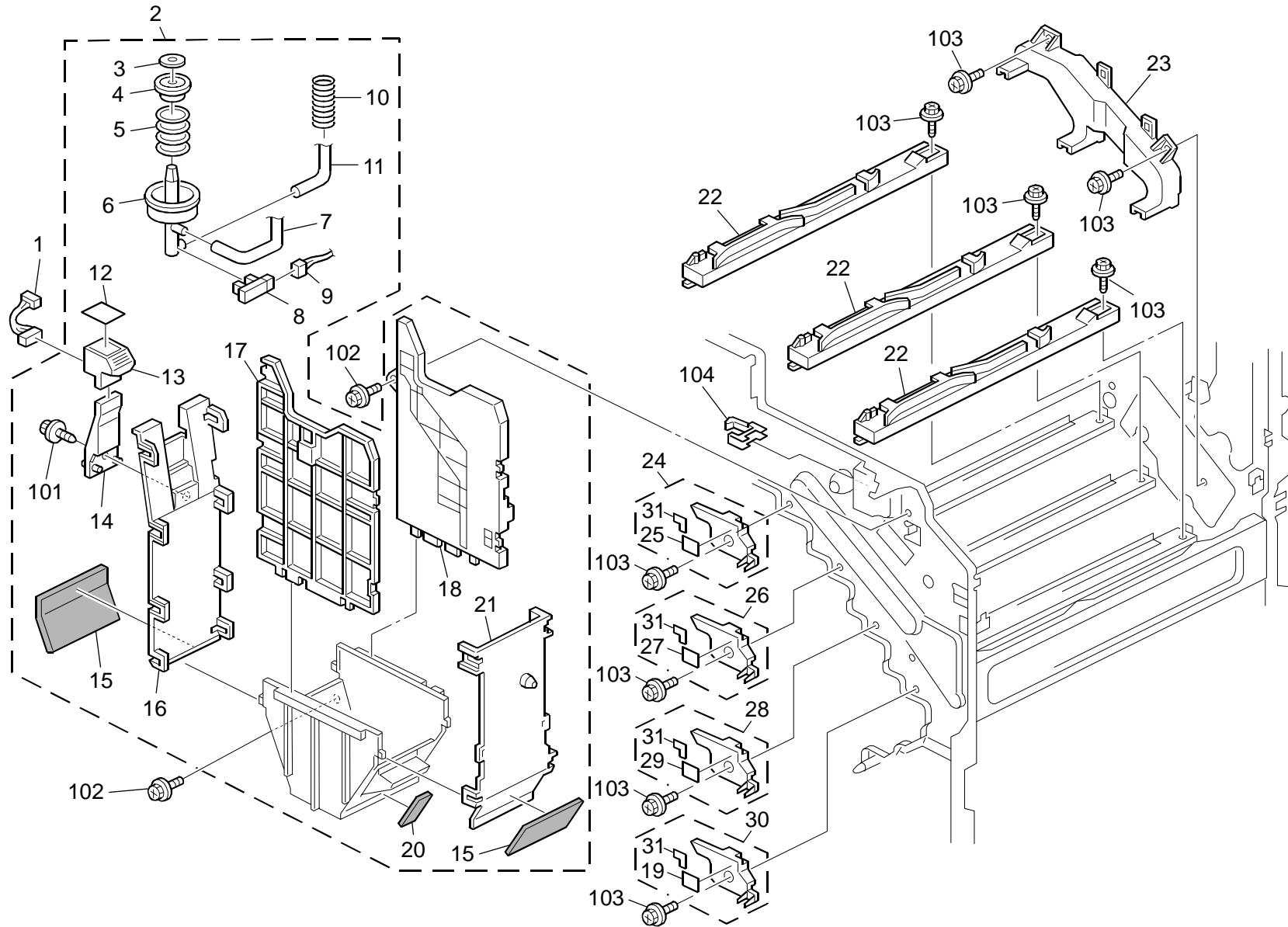


12.Paper Resistration (G130/G131)

Index No.	Part No.	Description	Q'ty Per Assembly
1	G060 1054	Holder:Guide Pin:Paper Feed Table	1
2	AA08 2104	Bushing - 8x12x7	2
3	AA08 2101	Bushing - 6x10x6	2
4	A259 6239	Screw - M3X4	1
5	G060 1277	Bracket - Front Cover Hinge	1
6	B180 2684	Bushing:Registration:Front:MM8	1
7	G060 2685	Registration Drive Roller	1
8	G080 2680	Bushing:Registration:Rear:M8	1
9	5215 2621	Snap Ring - M6	2
10	G080 2605	Guide Plate:Registration:Lower:Adhesion	1
11	G060 2609	Bracket - Registration Sensor	1
12	AW01 0106	Paper Feed Sensor	1
13	G080 5480	Harness:Registration Sensor	1
14	G060 2627	Transport Drive Roller	1
15	G080 2621	Guide Plate:Duplex:Exit:Upper	1
16	AW01 0107	Paper Feed Sensor	1
17	G080 5482	Harness:Paper Feed Unit:Sensor	1
18	G080 2635	Bracket:Sensor:Paper Feed	1
19	AA06 3408	Spring - 8n	2
20	G060 2652	Bushing - M4	2
21	AF02 2160	Roller:Driven:3xmm16	1
22	G080 2622	Guide Plate:Duplex:Exit:Lower	1
23	G080 2623	Guide:Turn	1
24	G060 2681	Knob - Vertical Transport	1
25	G060 2626	Transport Drive Roller - Middle	1
26	G060 2617	Middle Guide Plate	1
27	G060 2618	Guide Plate:Middle:Lower:Adhesion	1
28	G060 2620	Entrance Middle Guide	1
29	G060 2633	Guide:Middle:Lower	1

Index No.	Part No.	Description	Q'ty Per Assembly
101	0802 5292	Tapping Screw:Round Point:M3x8	
102	0451 3006N	Tapping Screw - 3x6	
103	0720 0060E	Retaining Ring - M6	
104	0720 0040E	Retaining Ring - M4	
105	0313 0060N	Screw - M3X6	
106	1105 0568	Clamp:Lwss-0504	
107	1105 0511	Harness Clamp - LWS-0306ZC	
108	1105 0487	Harness Clamp	
109	0450 3006N	Tapping Screw - M3x6	

13.Black Toner Hopper (G130/G131)

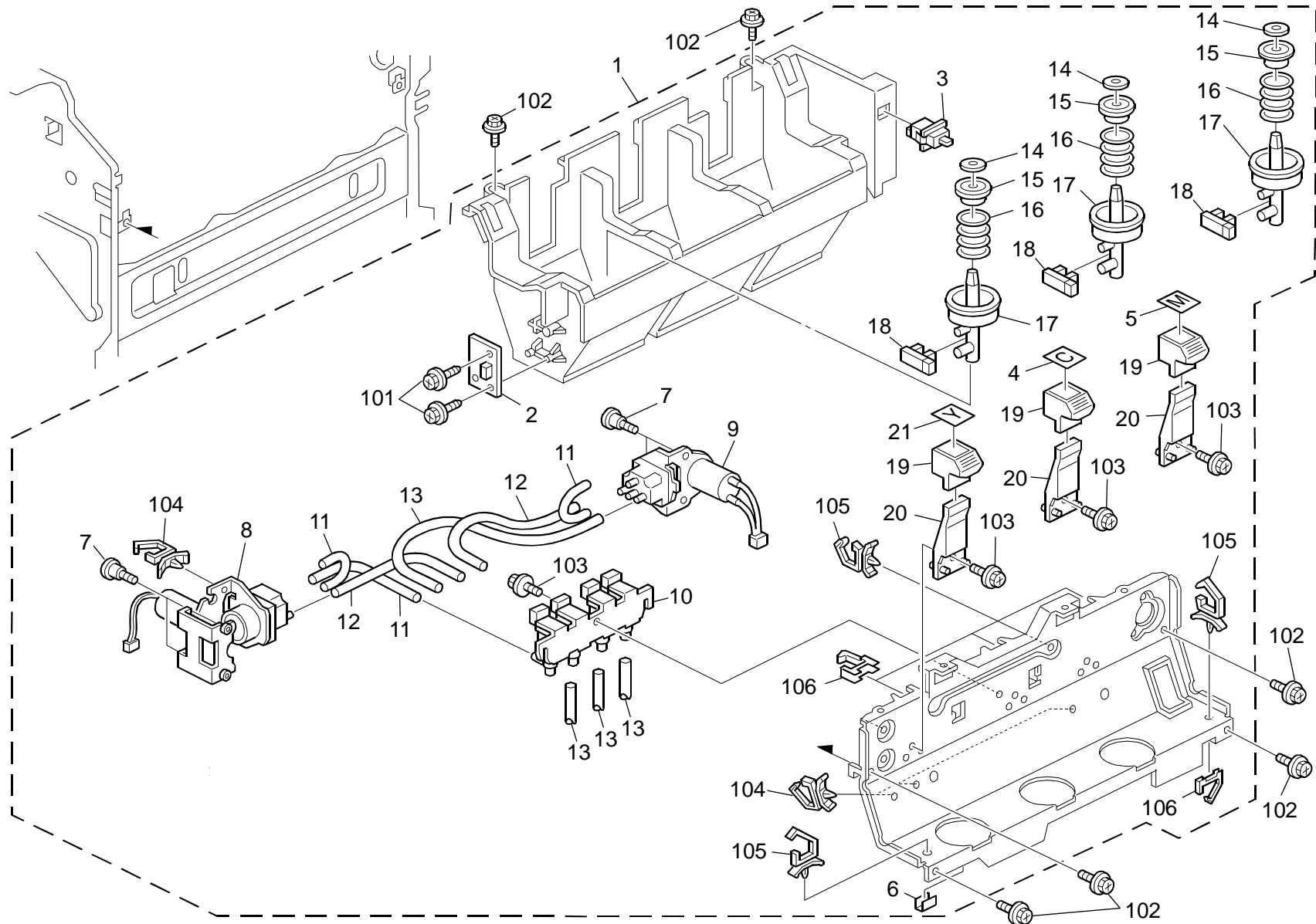


13.Black Toner Hopper (G130/G131)

Index No.	Part No.	Description	Q'ty Per Assembly
1	G080 5492	Harness:ID:K	1
2	G131 3202	Holder:Toner Cartridge:BK:DOM:Ass'y	1
3	AA15 3461	Holder Seal	1
4	G060 3219	Toner Cartridge Holder	1
5	AA06 3663	Compression Spring:4.9n	1
6	G080 3222	Nozzle:BK	1
7	G080 3241	Tube:Valve:BK	1
8	AW02 0153	Toner End Sensor	1
9	B180 5390	Harness:Toner End Sensor:K	1
10	AA06 3627	Coil - Tube Fuard	1
11	G060 3236	Tube - K Toner Supply	1
12	GA00 3019	Decal - K Toner Supply	1
13	B180 3234	Stopper Pawl:Toner Cartridge:Connector	1
14	G060 3232	Base - Toner Cartridge Stopper	1
15	G060 3337	Shield:Holder:Toner Cartridge	2
16	G060 3336	Holder:Toner Cartridge:BK:Left	1
17	G080 3332	Holder:Toner Cartridge:BK:Front	1
18	G080 3331	Holder:Toner Cartridge:BK:Rear	1
19	GA00 3031	Decal - Shielding Plate M	1
20	G060 3233	Toner Cartridge Holder Filter	1
21	G080 3336	Holder:Toner Cartridge:BK:Right	1
22	G060 1196	Duct:PCU:Supporter:Upper	3
23	G060 1198	PCU Duct	1
24	G106 3328	Shielding Plate:Development:BK:EXP:Ass'y	1
25	GA00 3033	Decal - Shielding Plate K	1
26	G106 3331	Shielding Plate:Development:Y:EXP:Ass'y	1
27	GA00 3030	Decal - Shielding Plate Y	1
28	G106 3329	Shielding Plate:Development:C:EXP:Ass'y	1
29	GA00 3032	Decal - Shielding Plate C	1
30	G106 3330	Shielding Plate:Development:M:EXP:Ass'y	1
31	GA00 3173	Decal:Shielding Plate:PCU:EXP	4

Index No.	Part No.	Description	Q'ty Per Assembly
101	0450 3008N	Tapping Screw - M3x8	
102	0451 3008N	Tapping Screw - M3x8	
103	0451 3006N	Tapping Screw - 3x6	
104	1105 0522	Edge Saddle - Les0510	

14. Color Toner Hopper (G130/G131)



14.Color Toner Hopper (G130/G131)

Index No.	Part No.	Description	Q'ty Per Assembly
1	G131 3201	Holder:Toner Cartridge:Collar:Ass'y	1
2	AW14 0013	Humidity Sensor:RHU-235	1
3	AW50 0023	Push Switch	1
4	GA00 3018	Decal - C Toner Supply	1
5	GA00 3017	Decal - M Toner Supply	1
6	G080 3243	Toner Supply Unit Holder Pad	1
7	AA14 3544	Screw - M3	4
8	B180 3301	Air Pump:Toner Supply:Ass'y	1
9	G080 3301	Air Pump:Toner Supply	1
10	B180 3240	Valve	1
11	G080 3215	Tube:Air Pump:BK	3
12	G080 3214	Tube:Air Pump:MC	2
13	G080 3240	Tube:Air Pump:Y	4
14	AA15 3461	Holder Seal	3
15	G060 3219	Toner Cartridge Holder	3
16	AA06 3663	Compression Spring:4.9n	3
17	G080 3216	Nozzle:YMC	3
18	AW02 0153	Toner End Sensor	3
19	B180 3234	Stopper Pawl:Toner Cartridge:Connector	3
20	G060 3232	Base - Toner Cartridge Stopper	3
21	GA00 3016	Decal - Y Toner Supply	1

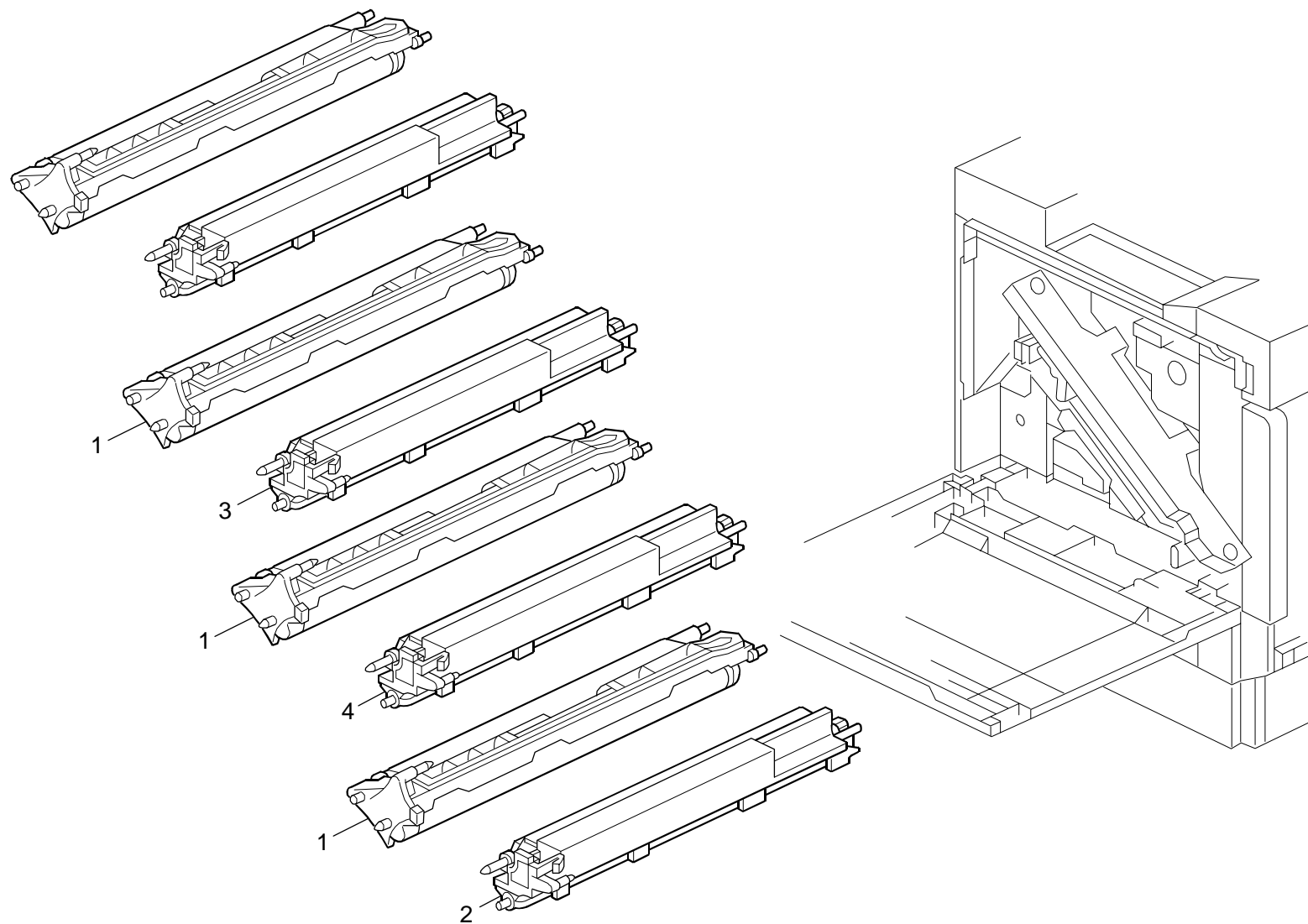
Index No.	Part No.	Description	Q'ty Per Assembly
101	0450 3008N	Tapping Screw - M3x8	
102	0451 3008N	Tapping Screw - M3x8	
103	0451 3006N	Tapping Screw - 3x6	
104	1105 0511	Harness Clamp - LWS-0306ZC	
105	1105 0487	Harness Clamp	
106	1105 0522	Edge Saddle - LES0510	

15.Toner Supply Section (G130/G131)

Index No.	Part No.	Description	Q'ty Per Assembly
1	B149 1072	PCU Supporter	1
2	AA06 3656	Guide Coil - M Tube	1
3	B190 2491	Seal:Guard:PCU	4
4	B149 1071	PCU Supporter	3
5	B180 3788	Guide:Collection Bottle:Ass'y	1
6	B180 3789	Toner Outlet Sub-unit:M	1
7	B101 3361	Toner Outlet Sub-unit:CY:Sub-ass'y	2
8	B180 3366	Toner Outlet Sub-unit:BK	1
9	G106 1076	Guide:Development Unit:Left	2
10	G060 1074	Upper Registration Stay	1
11	G060 2972	Safety Switch Feeler	1
12	B180 3356	Pump:Toner Supply Unit:BK:Sub-ass'y	1
13	B180 3359	Pump:Toner Supply Unit:Y:Sub-ass'y	1
14	B180 3358	Pump:Toner Supply Unit:C:Sub-ass'y	1
15	B180 3357	Pump:Toner Supply Unit:M:Sub-ass'y	1
16	G060 3237	Tube - Y Toner Supply	1
17	AA06 3627	Coil - Tube Fuard	1
18	G060 3238	Tube - C Toner Supply	1
19	G060 3241	Tube - M Toner Supply	1

Index No.	Part No.	Description	Q'ty Per Assembly
101	0451 3006N	Tapping Screw - 3x6	
102	0451 3008N	Tapping Screw - M3x8	

16.PCU/Development Unit (G130/G131)

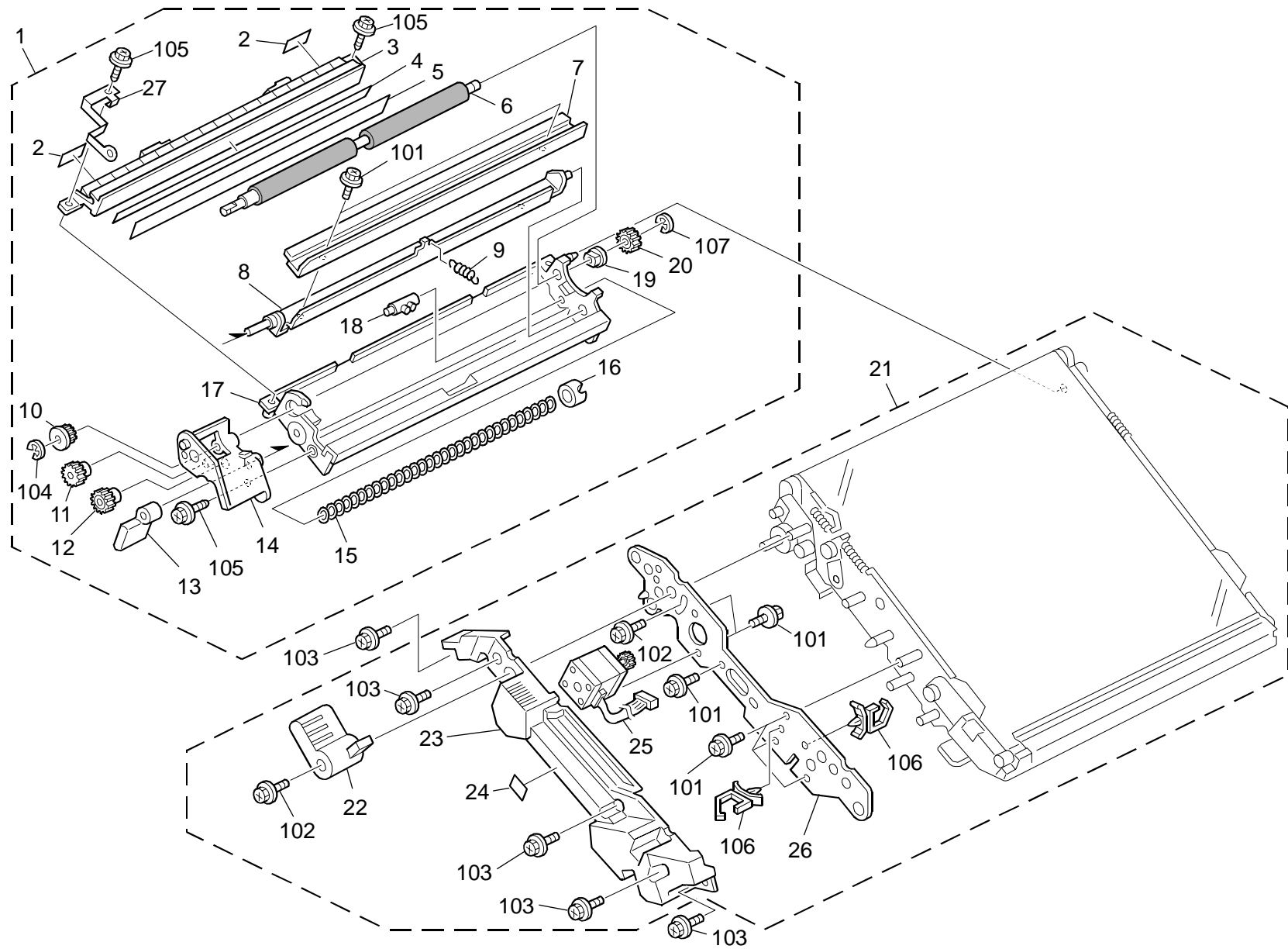


16.PCU/Development Unit (G130/G131)

Index No.	Part No.	Description	Q'ty Per Assembly
1	G131 2211	PCU - CMY	1
2	G260 0152	Development Section:Service:J-P4:M	1
3	G260 0153	Development Section:Service:J-P4:Y	1
4	G260 0151	Development Section:Service:J-P4:C	1

Index No.	Part No.	Description	Q'ty Per Assembly

17.Transfer Unit 1 (G130/G131)



17.Transfer Unit 1 (G130/G131)

Index No.	Part No.	Description	Q'ty Per Assembly
1	B180 3830	Cleaning Unit:Transfer Belt:Ass'y	1
2	G080 3732	Shield:Cleaning Unit	2
3	G080 3731	Case:Coating Bar	1
4	G080 3733	Dual Faces Tepe:Entrance Seal	1
5	AD04 7034	Entrance Seal:Cleaning	1
6	AD04 2066	Brush Roller:Cleaning	1
7	AD04 2081	Cleaning Blade:Ass'y	1
8	G080 3716	Bracket:Cleaning Blade:Ass'y	1
9	AA06 0983	Spring:Blade	1
10	AB01 1480	Gear:Brush Roller:Front	1
11	AB01 1481	Gear:Idler:Cleaning Unit	1
12	G060 3977	Gear - Transport Screw	1
13	G080 3745	Lever:Release:Cleaning Blade	1
14	G080 3740	Holder:Brush Roller:Front:Ass'y	1
15	AD04 3081	Toner Collection Coil:Cleaning	1
16	G060 3953	Sleeve:Shaft:Toner Collection Coil	1
17	B180 3831	Casing:Cleaning Unit:Ass'y	1
18	G060 3952	Shaft:Toner Collection Coil	1
19	AA08 0285	Bushing:MM6	1
20	GB01 0016	Gear - 23Z	1
21	B180 3810	Transfer Unit:Ass'y	1
22	G080 3993	Lever:Release	1
23	G080 3994	Cover:Transfer Unit	1
24	5214 4975	Decal - High Voltage	1
25	G107 3980	Stepper Motor:Transfer Belt:Press Fit	1
26	G080 3990	Drum Stay:Transfer Unit:Peen	1
27	B180 3734	Terminal:Brush Roller:Ass'y	1

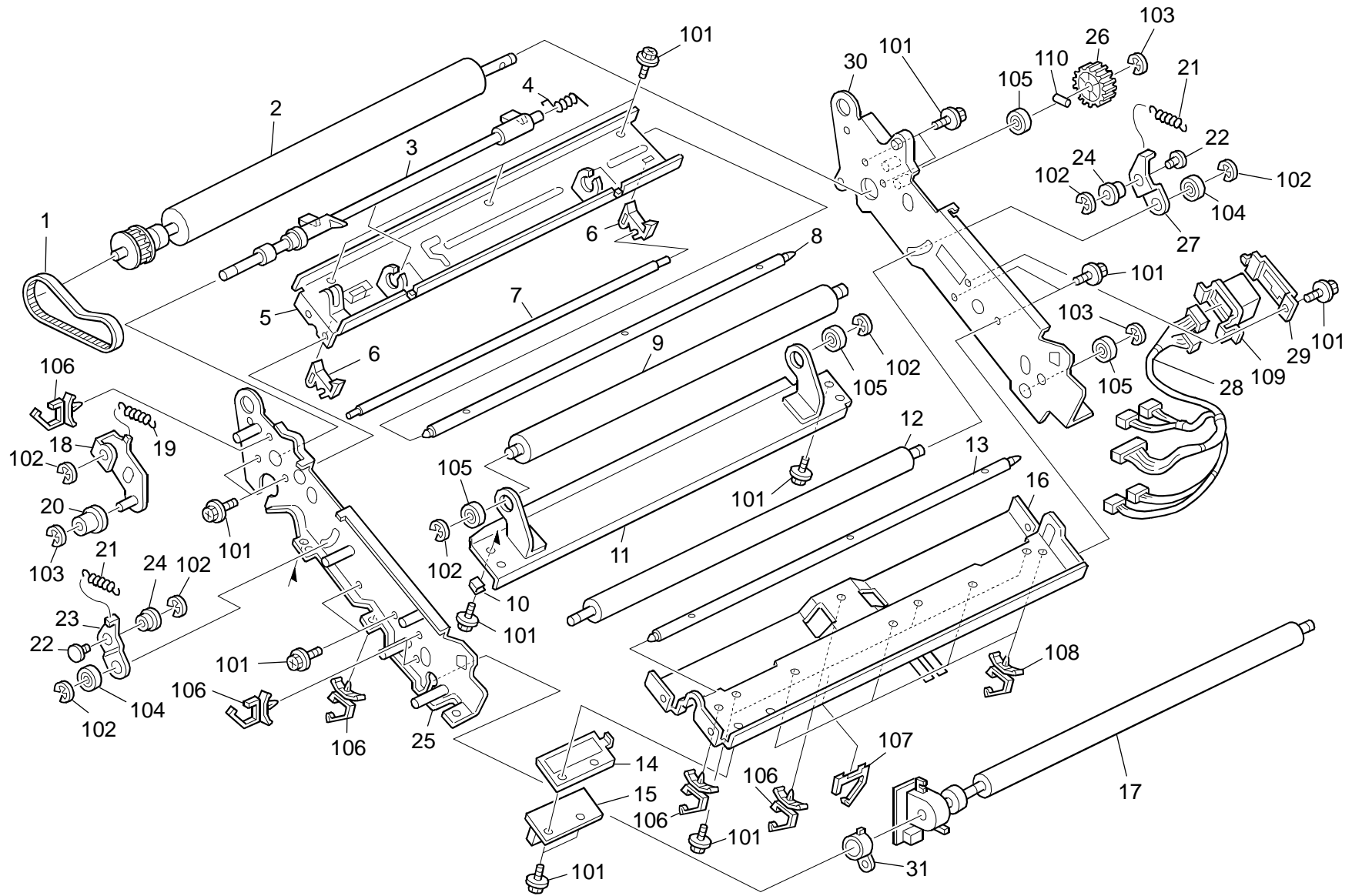
Index No.	Part No.	Description	Q'ty Per Assembly
101	0451 3006N	Tapping Screw - 3x6	
102	0804 6123	Hexagonal Bolt:W/washer:M3x8	
103	0451 3008N	Tapping Screw - M3x8	
104	0720 0040E	Retaining Ring - M4	
105	0450 3008N	Tapping Screw - M3x8	
106	1105 0511	Harness Clamp - LWS-0306ZC	

18.Transfer Unit 2 (G130/G131)

Index No.	Part No.	Description	Q'ty Per Assembly
1	B180 3780	Transfer Belt:Ass'y	1
2	B101 3902	Press Fit Exit Roller	1
3	G106 3861	Bushing - Front Transfer Roller	1
4	AA06 3890	Compression Spring:Pressure:Transfer Roller	2
5	G080 3855	Transfer Roller	1
6	G060 3852	Bushing - Back-up	2
7	G060 3924	Compression Spring - Back Up 3n	2
8	G060 3680	Back Up Roller - Transfer	1
9	G080 3867	Holder:Frame:BK:Front	1
10	G060 3693	Ground Plate:Transfer:K	1
11	G060 3853	Tension Spring - Left Frame	2
12	G080 3860	Frame:BK	1
13	G080 3863	Terminal:Transfer Roller:BK	1
14	G080 3868	Holder:Frame:BK:Rear	1
15	G080 3866	Terminal:Roller:Exit:Ass'y	1
16	B180 5371	Harness:High Voltage Line:T-K	1
17	G080 3951	Bracket:Guide:Left:Ass'y	1
18	G080 3936	Shaft:On-Off	1
19	G060 3894	Cam - Front	2
20	AA13 2218	Spacer:Bracket:On-Off	2
21	G080 3950	Bracket:Guide:Right Lower	1
22	G060 3896	Joint - Front	1
23	AA08 2125	Bushing:On-Off	2
24	G080 3931	Bracket:On-Off:Front:Ass'y	1
25	AB01 0128	Gear:Roller:Driven	1
26	G080 3942	Roller:Roller:Driven:Entrance	2
27	G080 3941	Roller:Roller:Driven	2
28	B101 3940	Entrance Driven Roller	1
29	G080 3934	Bracket:On-Off:Rear:Ass'y	1
30	G060 3899	Gear - On-Off	1
31	AB01 0114	Gear - Bias Roller	1
32	G080 3965	Roller:Bias:Ass'y	1
33	G060 3914	Cover - Bias Roller	1
34	G080 3967	Terminal:Bias	1
35	H519 1157	Bushing	2

Index No.	Part No.	Description	Q'ty Per Assembly
36	G080 3968	Terminal:Roller:Bias	2
37	AA06 0931	Tension Spring:Pressure:Bias	2
38	G080 3960	Guide Plate:Entrance:Transfer	1
39	G060 3677	Lower Transfer Entrance Guide	1
40	G060 3908	Upper Registration Guide	1
41	G106 3862	Bushing - Rear Transfer Roller	1
101	0451 3006N	Tapping Screw - 3x6	
102	0450 3008N	Tapping Screw - M3x8	
103	0720 0060E	Retaining Ring - M6	
104	0720 0040E	Retaining Ring - M4	
105	0805 3534	Ball Bearing 6x12x4	
106	0740 3508	Ball Bearing -8x14x4	

19. Transfer Unit 3 (G130/G131)

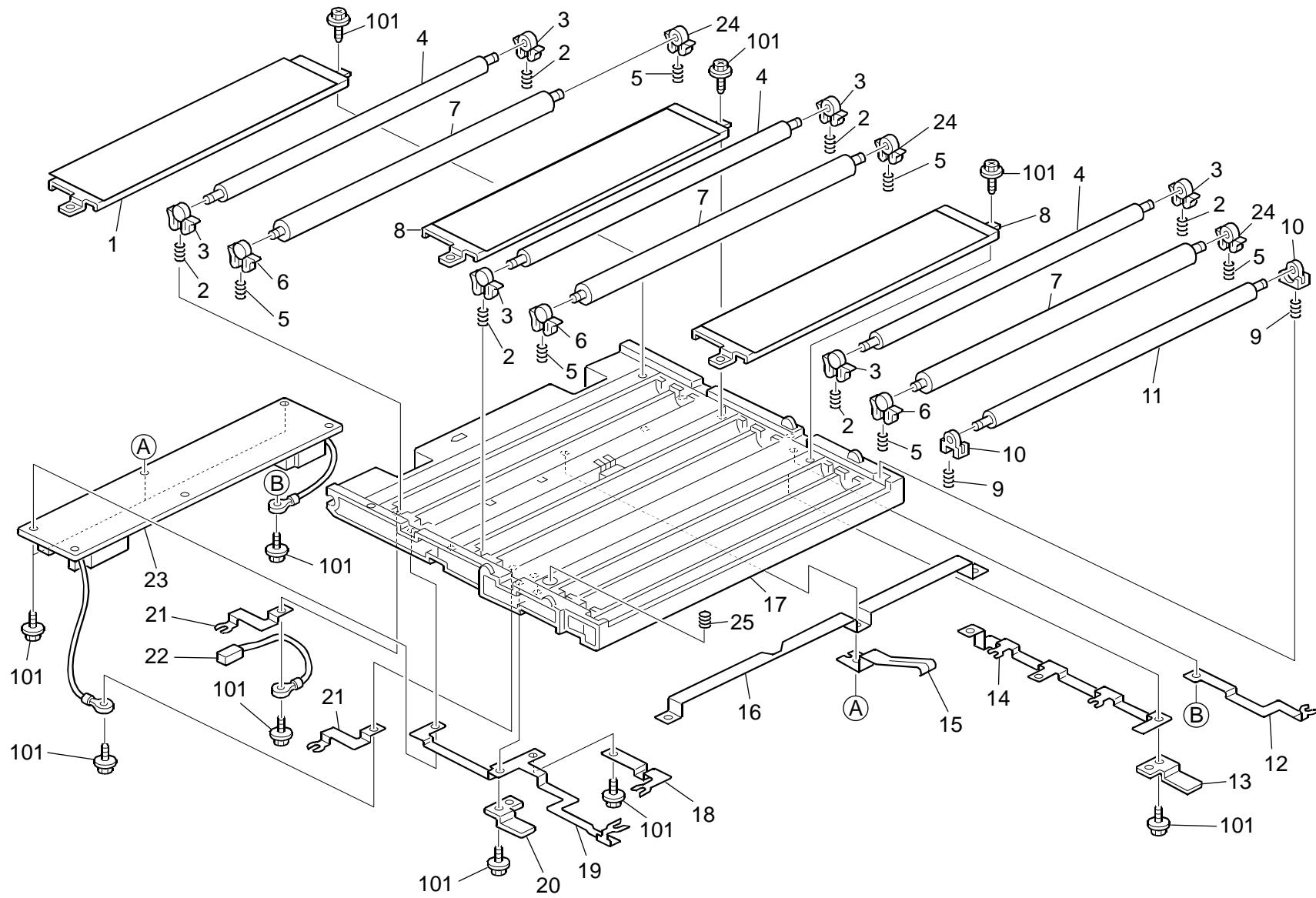


19.Transfer Unit 3 (G130/G131)

Index No.	Part No.	Description	Q'ty Per Assembly
1	AA04 3298	Timing Belt:Drive:Transfer Belt	1
2	G080 3910	Drive Roller:Ass'y	1
3	G080 3908	Shaft:Release:Ass'y	1
4	G060 3712	Torsion Spring:Shaft:Release:10n	1
5	G080 3904	Stay:Left:Ass'y	1
6	G080 3919	Drive Roller Cleaner Bushing	2
7	G060 2326	Charge Roller Cleaner	1
8	AA14 0833	Shaft:Positioning Pin	1
9	G080 3945	Roller:Driven:Left Lower	1
10	G080 3943	Spacer:0.5mm	1
11	G080 3946	Bracket:Roller:Driven:Peen	1
12	G080 3920	Roller:Tension	1
13	AA14 0836	Shaft:Positioning Pin:Right	1
14	B180 3903	Guard:Harness:Stay:Right	1
15	AW01 6002	Home Position Sensor	1
16	G080 3900	Stay:Right:Ass'y	1
17	G107 3830	Encoder:Ass'y	1
18	G080 3985	Tightener:Drive:Peen	1
19	AA06 0919	Tension Spring:Tightener	1
20	AB03 0739	Pulley:Tightener	1
21	AA06 0917	Tension Spring:Tension:Transfer Belt	2
22	GA14 8006	Tension Contact Point Pin	2
23	G080 3921	Bracket:Roller:Tension:Front	1
24	H012 1181	Bushing- 6mm	2
25	G080 3890	Frame:Front:Ass'y	1
26	GB01 0015	Gear - 61Z	1
27	G080 3922	Bracket:Roller:Tension:Rear	1
28	B180 5370	Harness:Transfer Unit:Drawer	1
29	G080 3897	Bracket:Drawer	1
30	G107 3895	Rear Frame Ass'y	1
31	G107 3832	Encoder Plate	1

Index No.	Part No.	Description	Q'ty Per Assembly
101	0451 3006N	Tapping Screw - 3x6	
102	0720 0040E	Retaining Ring - M4	
103	0720 0060E	Retaining Ring - M6	
104	0805 3534	Ball Bearing 6x12x4	
105	0805 3535	Ball Bearing 8x14x4	
106	1105 0511	Harness Clamp - LWS-0306ZC	
107	1105 0522	Edge Saddle - LES0510	
108	1105 0516	Clamp	
109	1102 9387	Connector:Drawer:51405-2611	
110	0633 0120G	Parallel Pin - 3x12	

20. Transfer Unit 4 (G130/G131)

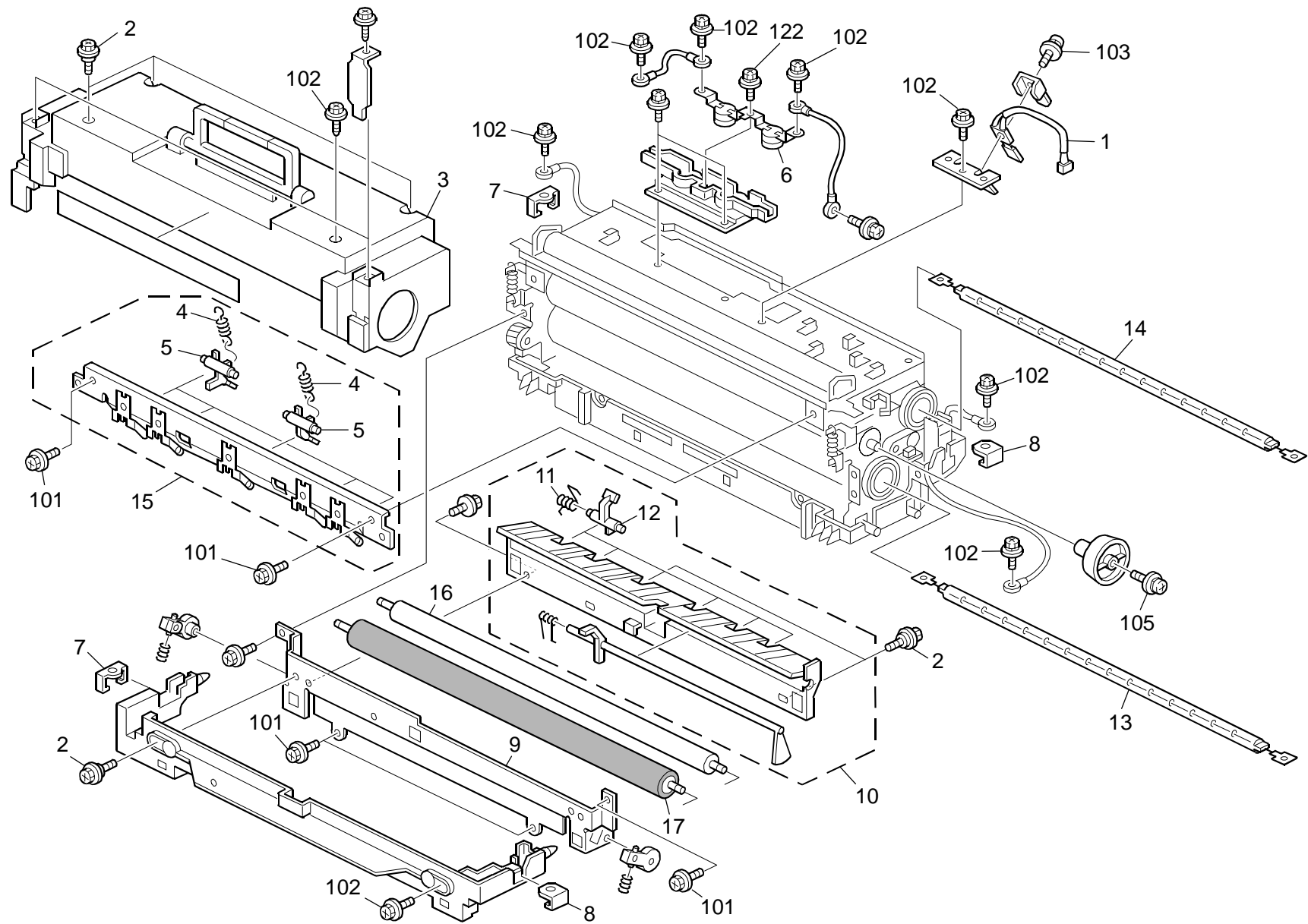


20.Transfer Unit 4 (G130/G131)

Index No.	Part No.	Description	Q'ty Per Assembly
1	G080 3925	Ground Plate:Y:Ass'y	1
2	AA06 3891	Compression Spring:Roller:Back Up	6
3	G080 3862	Bushing:Roller:Back Up	6
4	G107 3898	Roller:Back Up:Ass'y	3
5	AA06 3890	Compression Spring:Pressure:Transfer Roller	6
6	G106 3861	Bushing - Front Transfer Roller	3
7	G080 3855	Transfer Roller	3
8	G080 3923	Ground Plate:Magenta:Ass'y	2
9	G060 3924	Compression Spring - Back Up 3n	2
10	G060 3852	Bushing - Back-up	2
11	G080 3864	Roller:Back Up:Ass'y	1
12	G080 3881	Terminal:Transfer Roller:Magenta	1
13	G060 3956	Rear Spring Plate - Transfer	1
14	G080 3884	Terminal:Earth:Cyan	1
15	G080 3886	Spring Plate:Ground Plate:Cyan	1
16	G080 3875	Ground Plate:Connecting:1	1
17	G080 3870	Frame:Collar	1
18	G080 3883	Terminal:Earth:Magenta	1
19	G080 3880	Ground Plate:Roller:Back Up	1
20	G060 3955	Front Spring Plate - Transfer	1
21	G080 3882	Terminal:Transfer Roller:Cyan	2
22	B180 5372	Harness:High Voltage Line:T-Y	1
23	AZ32 0142	Power Pack:Tpac1:C1	1
24	G106 3862	Bushing - Rear Transfer Roller	3
25	AA06 3892	Compression Spring:Earth	1

Index No.	Part No.	Description	Q'ty Per Assembly
101	0450 3008N	Tapping Screw - M3x8	

21.Fusing Unit 1 (G130/G131)

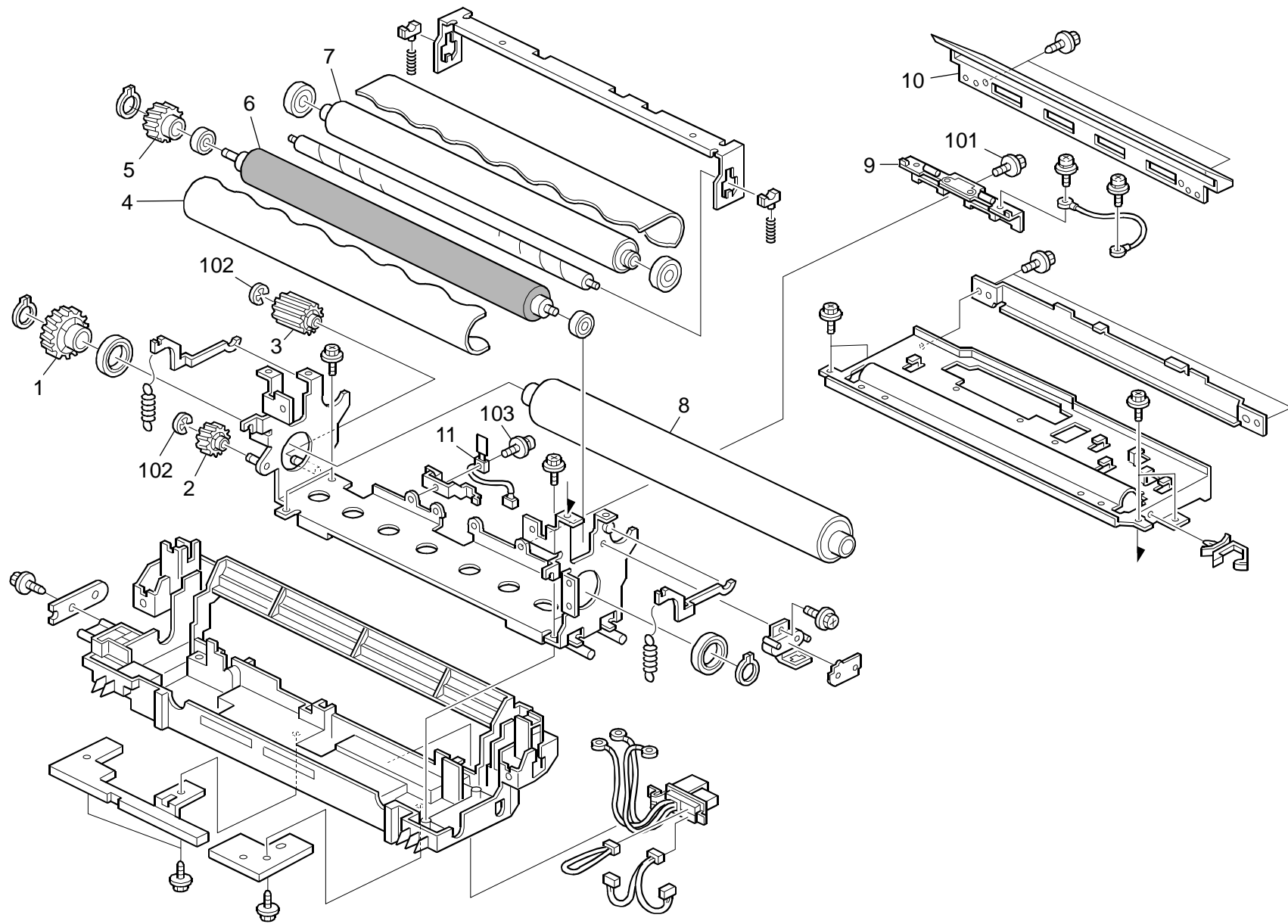


21.Fusing Unit 1 (G130/G131)

Index No.	Part No.	Description	Q'ty Per Assembly
1	AW10 0102	Thermistor:Fusing	1
2	AA14 3520	Shoulder Screw - M3	4
3	B101 4050	Fusing Cover:Upper:Ass'y	1
4	AA06 0995	Tension Spring:Stripper Pawls	6
5	AE04 4066	Stripper Pawls:pFa	6
6	B180 4066	Thermostat:Welding	1
7	G080 4197	Spacer:Heater	2
8	G107 4190	Fusing Nut	2
9	B180 4255	Cleaning Roller:Pressure:Ass'y	1
10	B180 4251	Pickoff Pawl:Pressure:Ass'y	1
11	AA06 6666	Spring:Pickoff Pawl:33mn	6
12	AE04 4050	Stripper Pawl	6
13	AX43 0146	Heater:120V:200W	1
13	AX43 0147	Heater:230V:200W	1
14	AX44 0231	Heater:120V:1100W	1
14	AX44 0232	Heater:230V:1100W	1
15	B180 4211	Bracket:Pickoff Pawl:Ass'y	1
16	AE04 2080	Cleaning Roller:Ass'y	1
17	AE04 0042	Oil Supply Roller:Pressure:DIA16	1

Index No.	Part No.	Description	Q'ty Per Assembly
101	0451 3006N	Tapping Screw - 3x6	
102	0804 6123	Hexagonal Bolt:W/Washer:M3x8	
103	0954 3010N	Screw:Polished Round/Spring:M3x10	
104	0450 3008N	Tapping Screw - M3x8	
105	0957 3008N	Philips Screw - M3x8	

22.Fusing Unit 2 (G130/G131)

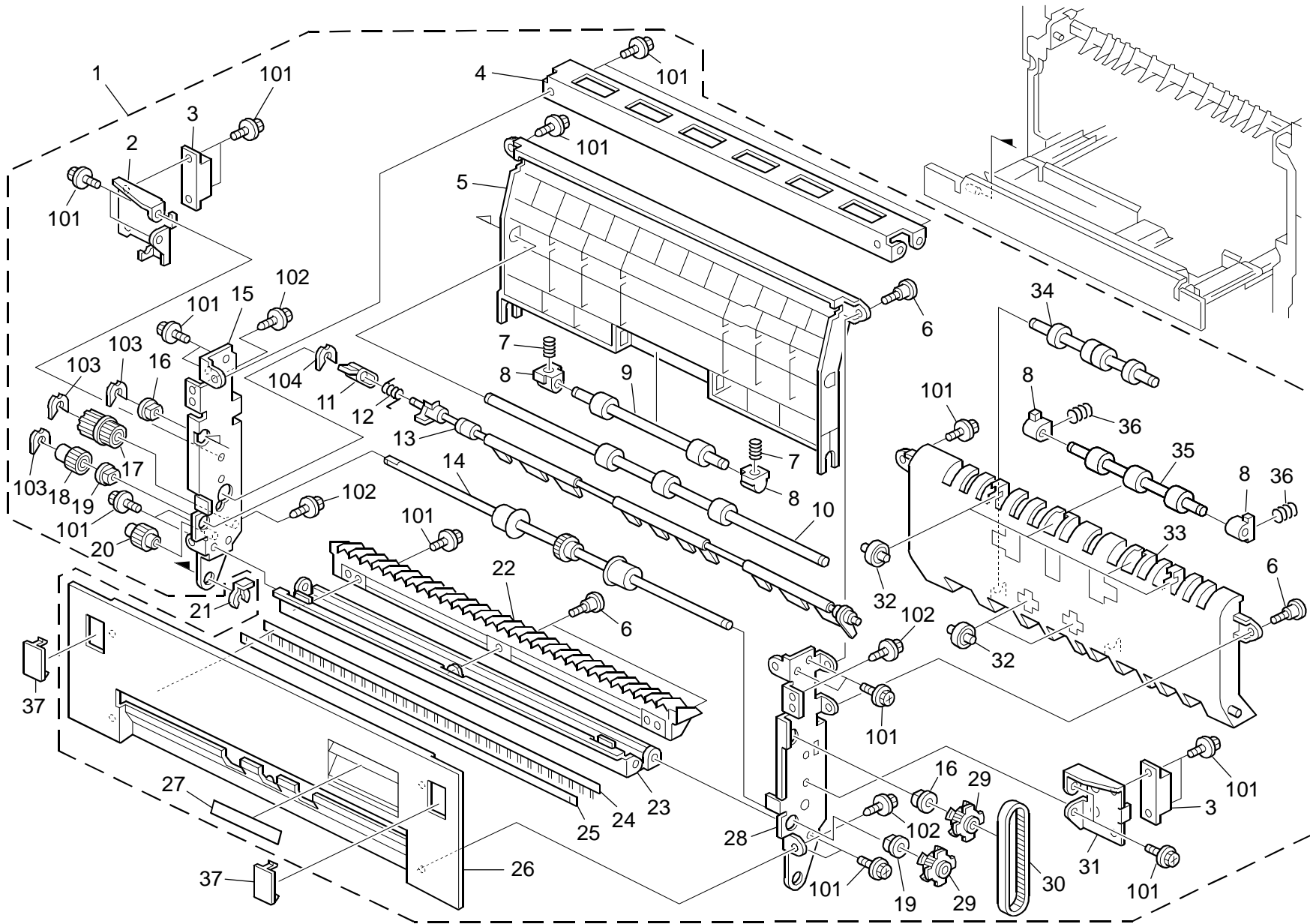


22.Fusing Unit 2 (G130/G131)

Index No.	Part No.	Description	Q'ty Per Assembly
1	AB01 2022	Gear:Pressure:Drive	1
2	AB01 2024	Gear:Idler:Pressure:Exit:Z19	1
3	AB01 2039	Gear:Idler:Drive	1
4	B180 4101	Fusing Belt:MM60:Ass'y	1
5	AB01 2043	Gear:Fusing	1
6	AE01 0055	Hot Roller:DIA29.5	1
7	B180 4300	Pressure Roller:Ass'y	1
8	AE02 0155	Pressure Roller:DIA42	1
9	B180 4246	Thermofuse:Ass'y	1
10	G080 4210	Fusing Entrance Guide Plate	1
11	AW10 0103	Thermistor:Pressure	1

Index No.	Part No.	Description	Q'ty Per Assembly
101	0450 3008N	Tapping Screw - M3x8	
102	0720 0040E	Retaining Ring - M4	
103	0954 3010N	Screw:Polished Round/Spring:M3x10	

23.Paper Exit Section 1 (G130/G131)

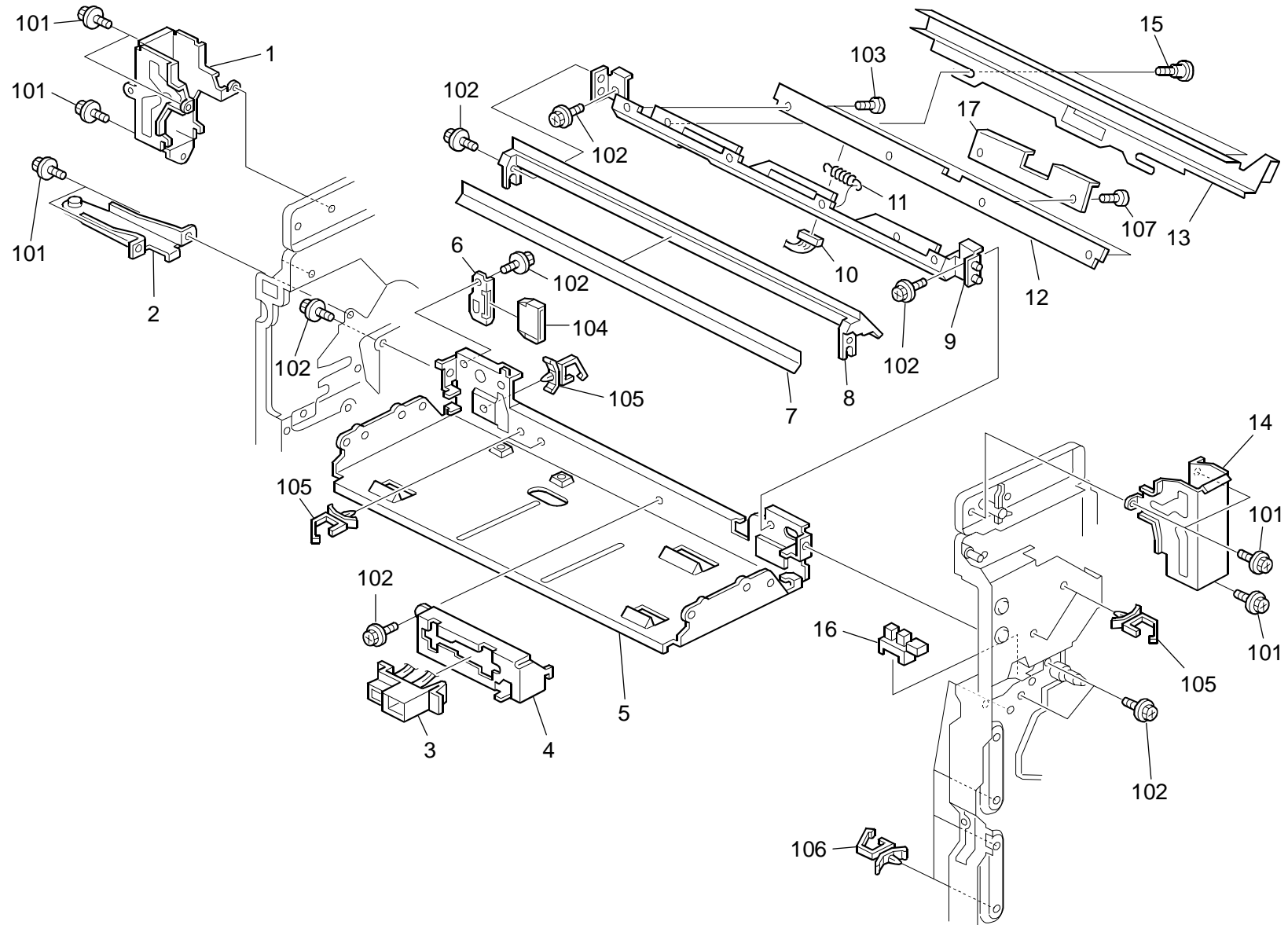


23.Paper Exit Section 1 (G130/G131)

Index No.	Part No.	Description	Q'ty Per Assembly
1	B180 4411	Paper Exit Sub-unit:FU:Ass'y	1
2	G080 4457	Bracket:Magnet Catch:Rear	1
3	AG07 0021	Magnet Catch:37n	2
4	G080 4436	Stay:Exit:Upper	1
5	G080 4440	Guide Plate:Exit:Connecting	1
6	AA14 3716	Stepped Screw	4
7	G060 4429	Compression Spring - Exit Driven 1n	2
8	G060 4449	Bushing - M4	4
9	AF04 0620	Roller:Driven:FU	1
10	AF04 0616	Transport Roller:Exit	1
11	G080 4441	Link:Gate Pawl:Exit	1
12	G080 4447	Torsion Spring:Gate Pawl:Exit	1
13	B180 4442	Gate Pawl:Exit	1
14	AF04 0619	Exit Roller:FU	1
15	B180 4431	Side Plate:Exit:Rear:Peen	1
16	AA08 2101	Bushing - 6x10x6	2
17	B180 4450	Gear:Input:17z/19z	1
18	B180 4439	Gear:Exit Roller:FU:18z	1
19	AA08 2075	Bushing - M6	2
20	B180 4451	Gear:Idler:21z	1
21	5215 2621	Snap Ring - M6	1
22	G080 4449	Guide Plate:Exit:Entrance:Lower	1
23	G080 4437	Stay:Exit:Lower	1
24	AA12 0102	Discharge Brush - Exit	1
25	G060 4496	Support Plate - Discharge Brush	1
26	G080 4430	Cover:Exit	1
27	GA00 1010	Decal - Grip B2	1
28	G080 4435	Side Plate:Exit:Front	1
29	G080 4438	Pulley:Exit Roller:20t	2
30	G080 4445	Timing Belt:S2m186	1
31	G080 4456	Bracket:Magnet Catch:Front	1
32	G060 4447	Driven Roller - M16	6
33	B180 4446	Guide Plate:Fusing Exit:Upper	1
34	B180 4454	Roller:Driven:Fusing Exit:Ass'y	1
35	AF04 0614	Roller:Driven:Connecting	1

Index No.	Part No.	Description	Q'ty Per Assembly
36	G060 4436	Compression Spring - Exit Driven	2
37	G080 4444	Cover:Exit:Lock:Duplex	2
101	0451 3006N	Tapping Screw - 3x6	
102	0450 3008N	Tapping Screw - M3x8	
103	0805 0089	Retaining Ring - M4	
104	0805 0092	Retaining Ring - 3m	

24. Paper Exit Section 2 (G130/G131)

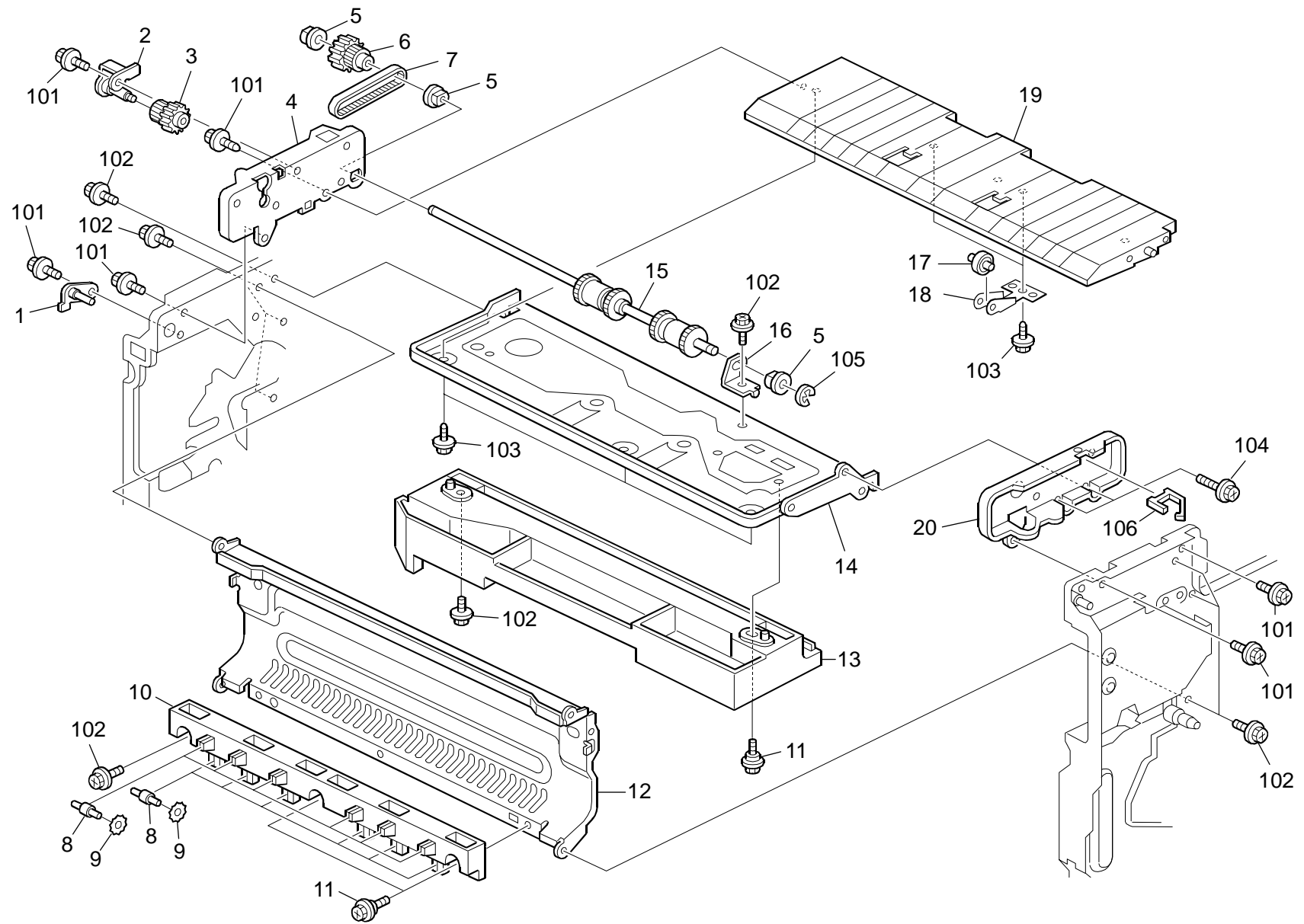


24.Paper Exit Section 2 (G130/G131)

Index No.	Part No.	Description	Q'ty Per Assembly
1	G080 1099	Bracket:Option:Rear	1
2	B180 5680	Guide Plate:Left Upper:Peen	1
3	G131 5327	Harness:Fusing:Machine Or Copier	1
4	G080 6041	Bracket:Drawer:Fusing	1
5	G080 1078	Supporter:Fusing Unit	1
6	G080 1080	Holder:Connector	1
7	G080 3621	Cover:Density Sensor	1
8	G080 3620	Guide Plate:Transfer:Exit	1
9	G080 3611	Bracket:Density Sensor:Ass'y	1
10	G080 5495	Harness:Sensor:TM	1
11	AA06 0921	Tension Spring:Shutter	1
12	B180 5450	Photo Refiection Sensor:TM	1
13	B101 3617	Shutter:Density Sensor:Ass'y	1
14	G080 1098	Bracket:Option:Front	1
15	A259 6239	Screw - M3X4	1
16	AW02 0145	Photointerruptor:Flat	1
17	B101 3613	Plate:Plate:Guide Plate	1

Index No.	Part No.	Description	Q'ty Per Assembly
101	0802 5291	Tapping Screw:Round Point:M3x6	
102	0451 3006N	Tapping Screw - 3x6	
103	0353 0040N	Screw - M3x4	
104	1102 6252	Connector - 9P	
105	1105 0511	Harness Clamp - LWS-0306ZC	
106	1105 0487	Harness Clamp	
107	0353 0050P	Screw:M3x5	

25. Paper Exit Section 3 (G130/G131)

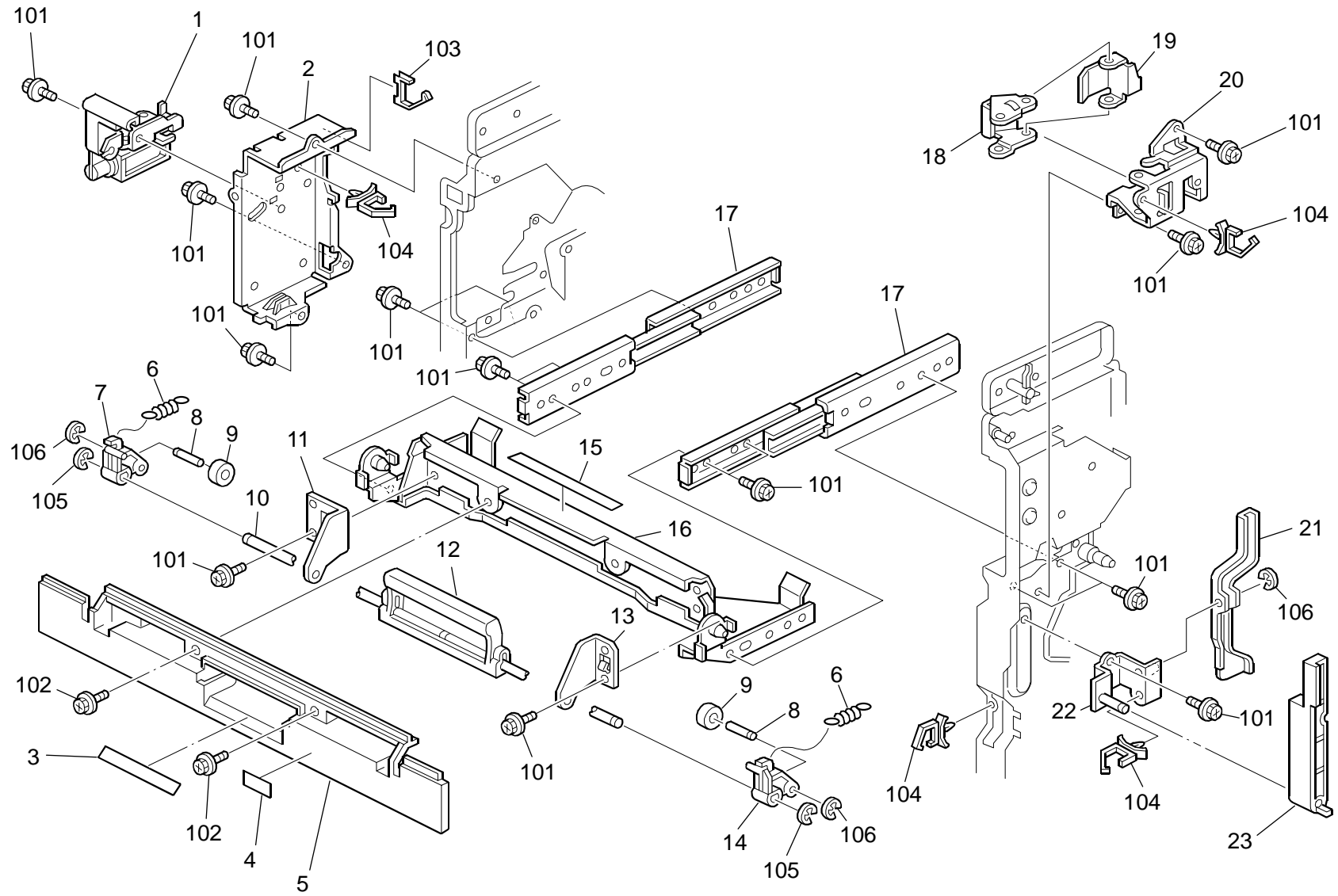


25.Paper Exit Section 3 (G130/G131)

Index No.	Part No.	Description	Q'ty Per Assembly
1	B180 4850	Bracket:Shaft:Stopper	1
2	B180 4464	Bracket:Gear:Floppy Disk	1
3	G077 4462	Gear:Pulley:18z27t	1
4	G080 4461	Side Plate:Exit:Fd:Rear	1
5	AA08 2101	Bushing - 6x10x6	3
6	AB01 2321	Gear:Pulley:25z:30t	1
7	G060 4463	Timing Belt - S2M176	1
8	G060 4098	Shaft:Guide	12
9	A267 3255	Paper Separation Guide	12
10	B101 4097	Holder:Guide:Roller	1
11	AA14 3520	Shoulder Screw - M3	3
12	B101 1067	Frame:Lengthwise Upper	1
13	B101 1195	Duct:Fusing:Upper	1
14	G080 4462	Stay:Exit:Floppy Disk:Lower	1
15	AF04 0618	Exit Roller:Floppy Disk	1
16	B180 4457	Bracket:Exit Roller:Floppy Disk	1
17	G060 4454	Driven Roller - M13	2
18	G060 4467	Roller Holder	2
19	G060 4455	Guide Plate:Exit:Lower	1
20	G080 4460	Side Plate:Exit:Fd:Front	1

Index No.	Part No.	Description	Q'ty Per Assembly
101	0802 5291	Tapping Screw:Round Point:M3x6	
102	0451 3006N	Tapping Screw - 3x6	
103	0450 3006N	Tapping Screw - M3x6	
104	0353 0080N	Screw:M3x8	
105	0720 0040E	Retaining Ring - M4	
106	1105 0522	Edge Saddle - LES0510	

26.Paper Exit Section 5 (G130/G131)

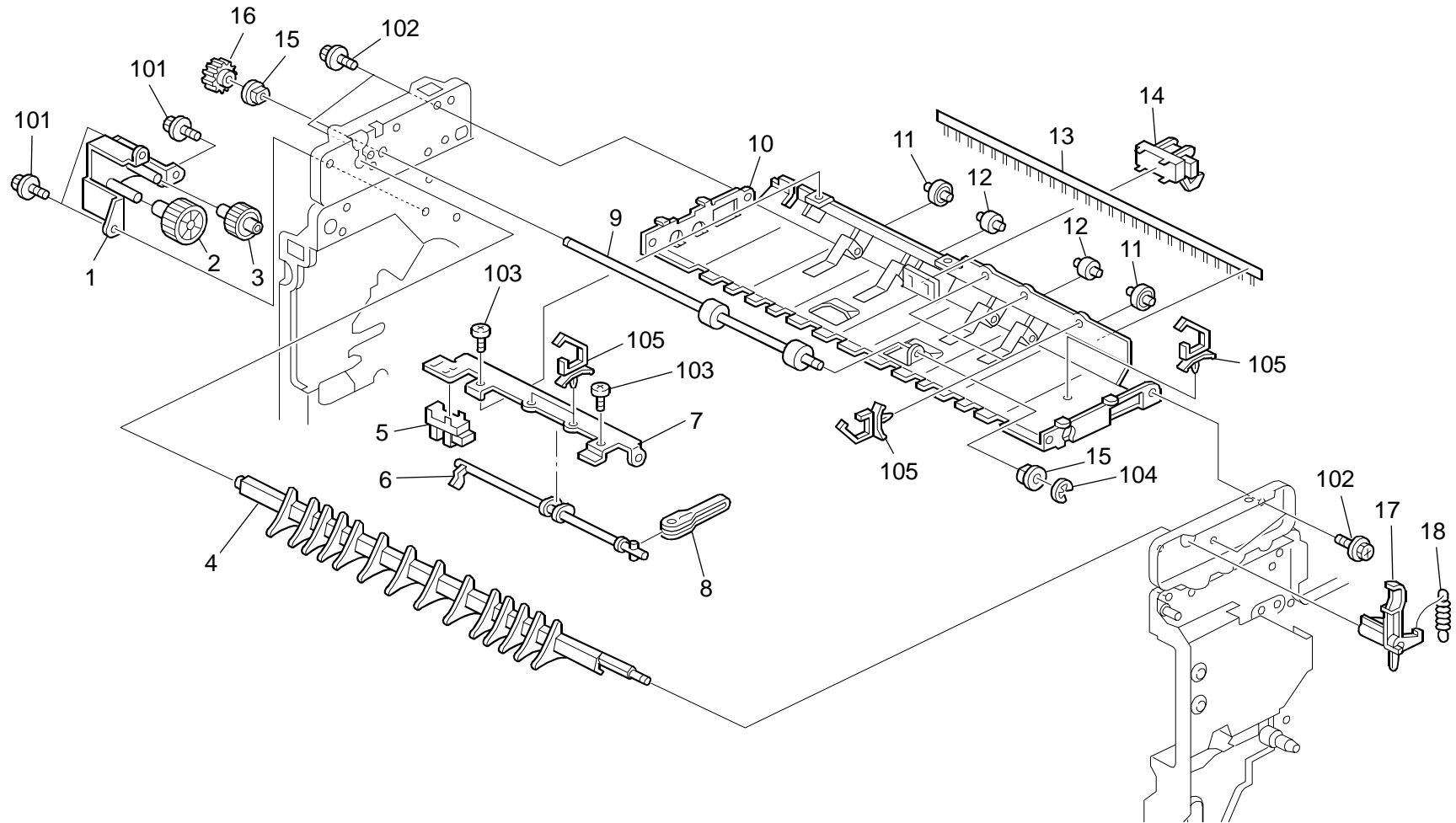


26.Paper Exit Section 5 (G130/G131)

Index No.	Part No.	Description	Q'ty Per Assembly
1	G080 4471	DC Solenoid:Gate Pawl:Exit:Ass'y	1
2	G060 1091	Rear Fusing Bracket	1
3	GA00 3091	Decal - Grip B1 Ps	1
4	GA00 3029	Decal - Vertical Transport	1
5	G060 6040	Cover - Fusing Unit Holder	1
6	G060 6038	Detent Spring	2
7	G060 6033	Rear Holder Arm	1
8	G060 6037	Detent Shaft	2
9	G060 6035	Detent Roller	2
10	G060 6036	Arm Shaft	1
11	G060 6031	Bracket - Rear Lever	1
12	G060 6039	Grip - Cover	1
13	G060 6032	Bracket - Front Lever	1
14	G060 6034	Front Holder Arm	1
15	GA00 3055	Decal:Fusing Unit:Positioning Display	1
16	B180 6021	Holder:Fusing Unit:Peen	1
17	AA07 0068	Slide Rail:110mm	2
18	B180 5682	Bracket:Safety Switch:Peen	1
19	G060 5823	Bracket - Door Switch	1
20	G060 5801	Bracket - Door Switch Lever	1
21	G080 5807	Lever:Door Switch	1
22	G080 5805	Bracket:Auxiliary:Peen	1
23	G060 5808	Arm - Safety Switch	1

Index No.	Part No.	Description	Q'ty Per Assembly
101	0802 5291	Tapping Screw:Round Point:M3x6	
102	0451 3008N	Tapping Screw - M3x8	
103	1105 0522	Edge Saddle - LES0510	
104	1105 0511	Harness Clamp - LWS-0306ZC	
105	0720 0060E	Retaining Ring - M6	
106	0720 0030E	Retaining Ring - M3	

27. Paper Exit Section 4 (G130/G131)

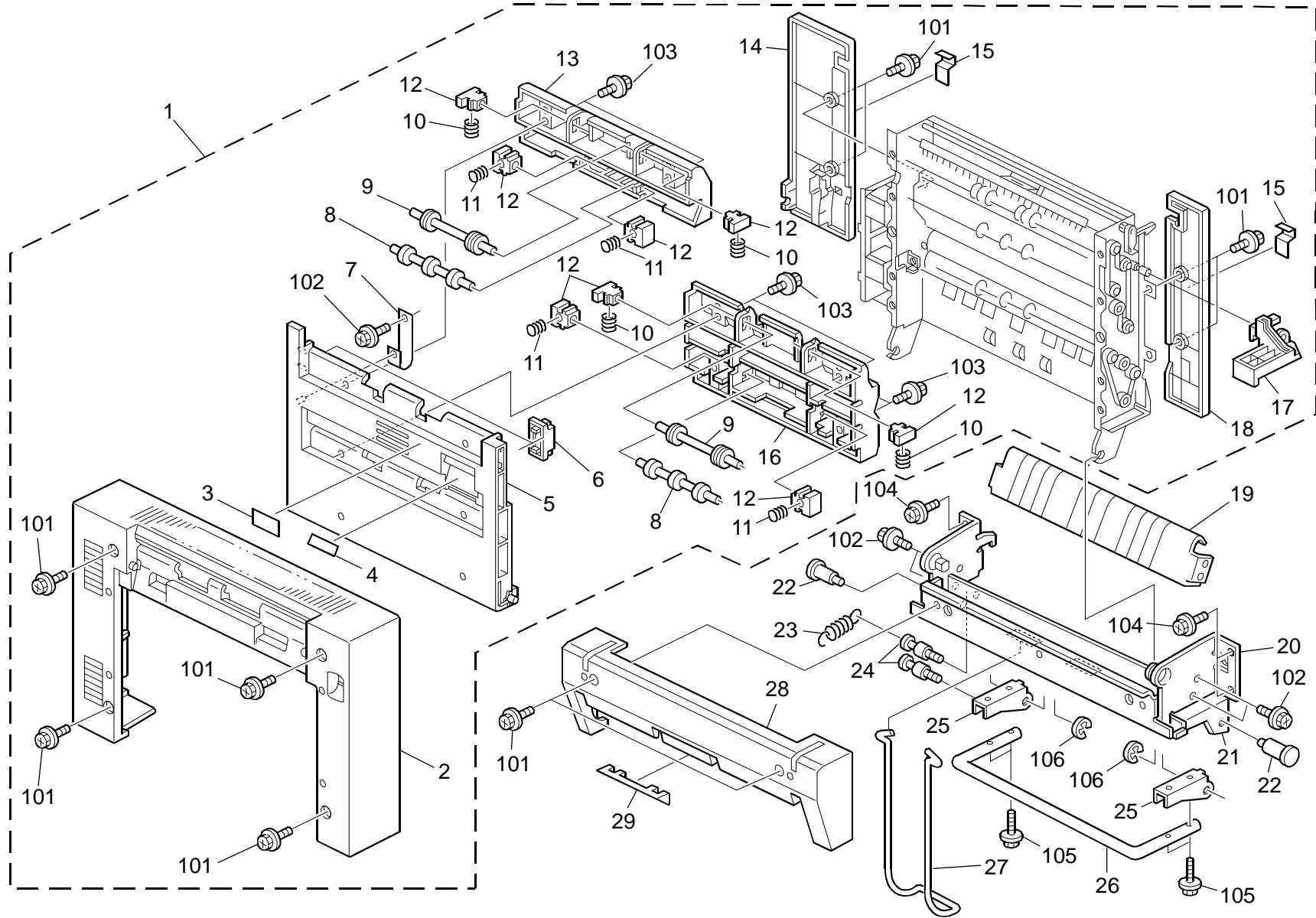


27.Paper Exit Section 4 (G130/G131)

Index No.	Part No.	Description	Q'ty Per Assembly
1	G080 4464	Bracket:Idler:FD:Peen	1
2	AB01 2322	Gear:Idler:29z	1
3	AB01 2323	Gear:Idler:19z	1
4	G060 4459	Gate Pawl	1
5	AW02 0145	Photointerruptor:Flat	1
6	G060 4479	Shaft - Paper Sensor	1
7	G060 4481	Bracket - Paper Sensor	1
8	G060 4482	Feeler - Paper Sensor	1
9	AF04 0617	Transport Roller:Floppy Disk	1
10	G060 4451	Upper Exit Guide Plate	1
11	G060 4447	Driven Roller - M16	2
12	B180 4428	Roller:Driven:Exit	2
13	AA12 0102	Discharge Brush - Exit	1
14	AW02 0147	Photointerruptor:Feeler:Square	1
15	AA08 2101	Bushing - 6x10x6	2
16	G060 4458	Gear - 16Z	1
17	G060 4460	Lever - Gate Pawl	1
18	G060 4461	Tension Spring - Gate Pawl	1

Index No.	Part No.	Description	Q'ty Per Assembly
101	0802 5291	Tapping Screw:Round Point:M3x6	
102	0451 3006N	Tapping Screw - 3x6	
103	0453 3006N	Tapping Screw - M3x6	
104	0720 0040E	Retaining Ring - M4	
105	1105 0511	Harness Clamp - LWS-0306ZC	

28. Duplex Section 1 (G131)

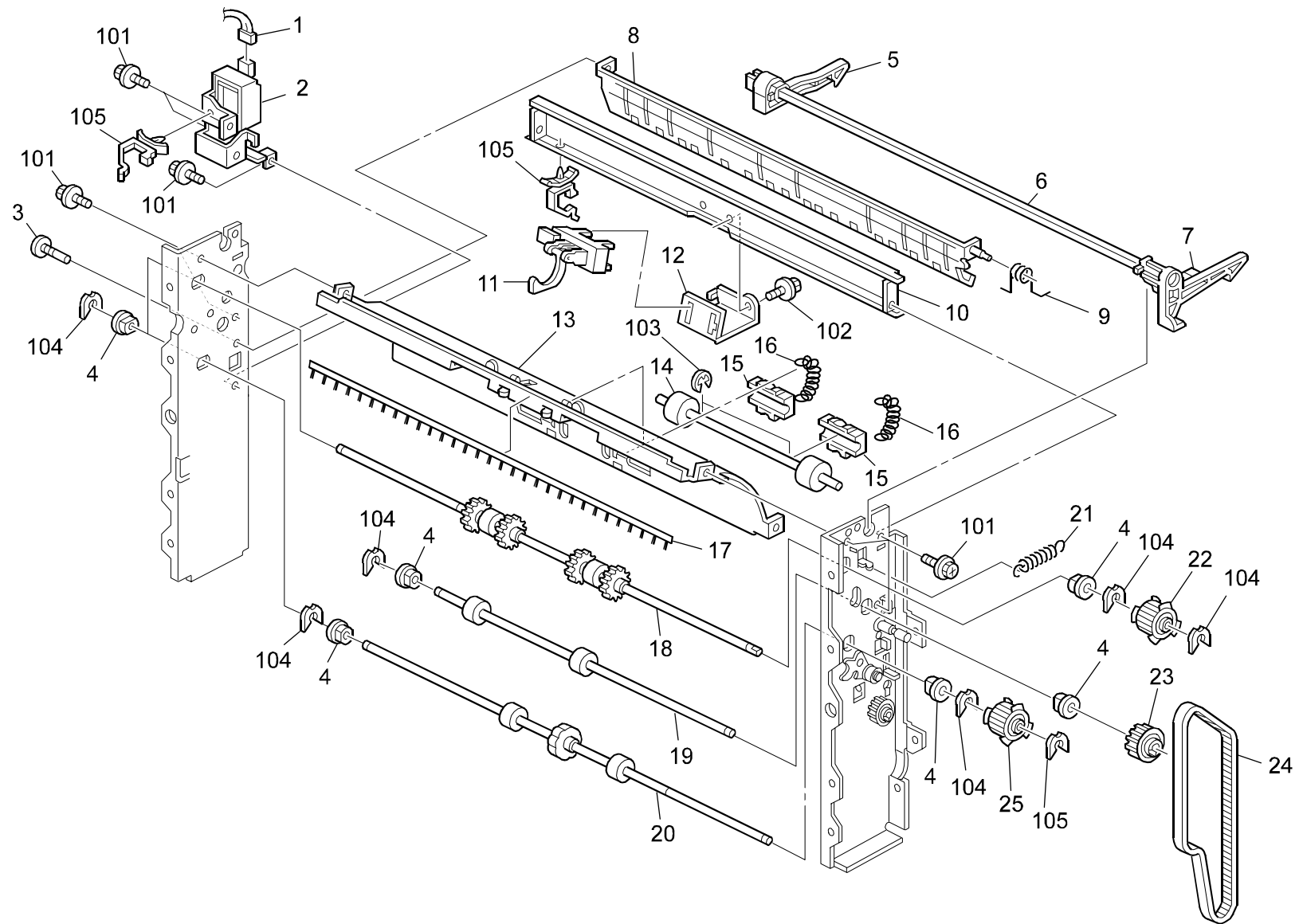


28.Duplex Section 1 (G131)

Index No.	Part No.	Description	Q'ty Per Assembly
1	G382 0250	Reverse Unit:Duplex:Ass'y	1
2	G571 4701	Cover - Duplex Unit	1
3	GA00 3029	Decal - Vertical Transport	1
4	GA00 1005	Decal - Z1	1
5	G571 4712	Cover - Vertical Transport	1
6	AG07 1012	Magnet Catch:Ass'y	2
7	G571 4716	Band - Vertical Transport	1
8	AF02 2160	Roller:Driven:3xmm16	2
9	AF02 2128	Transport Driven Roller	2
10	AA06 3645	Duplex Exitpressure Spring	4
11	AA06 3616	Spring - 8n	4
12	G060 2652	Bushing - M4	8
13	G571 4713	Upper Guide Plate	1
14	G571 4707	Rear Inner Cover - Duplex Unit	1
15	A232 4653	Pressure Plate - Guide Plate	2
16	G571 4714	Lower Guide Plate	1
17	G571 4635	Grip - Un Lock	1
18	G571 4706	Front Inner Cover - Duplex Unit	1
19	B101 4787	Guide Plate:Holder	1
20	B101 4772	Reverse Unit Holder Frame Ass'y	1
21	B101 4783	Lower Holder Frame	1
22	AA14 8650	Grip Shaft	2
23	AA06 0978	Tension Spring:80n:DIA1.6	1
24	AA14 3540	Spring Anchor Pin	2
25	B101 4785	Guide Plate Grip	2
26	B180 4786	Grip:Duplex	1
27	G571 1069	Switchback Guide	1
28	B101 4761	Reverse Unit Holder Cover	1
29	B101 4762	Guide Plate Cover	1

Index No.	Part No.	Description	Q'ty Per Assembly
101	0451 3008N	Tapping Screw - M3x8	
102	0451 3006N	Tapping Screw - 3x6	
103	0450 3008N	Tapping Screw - M3x8	
104	0451 4012N	Tapping Screw:4x12	
105	0802 5300	Tapping Screw:M3x16	
106	0720 0060E	Retaining Ring - M6	

29. Duplex Section 2 (G131)

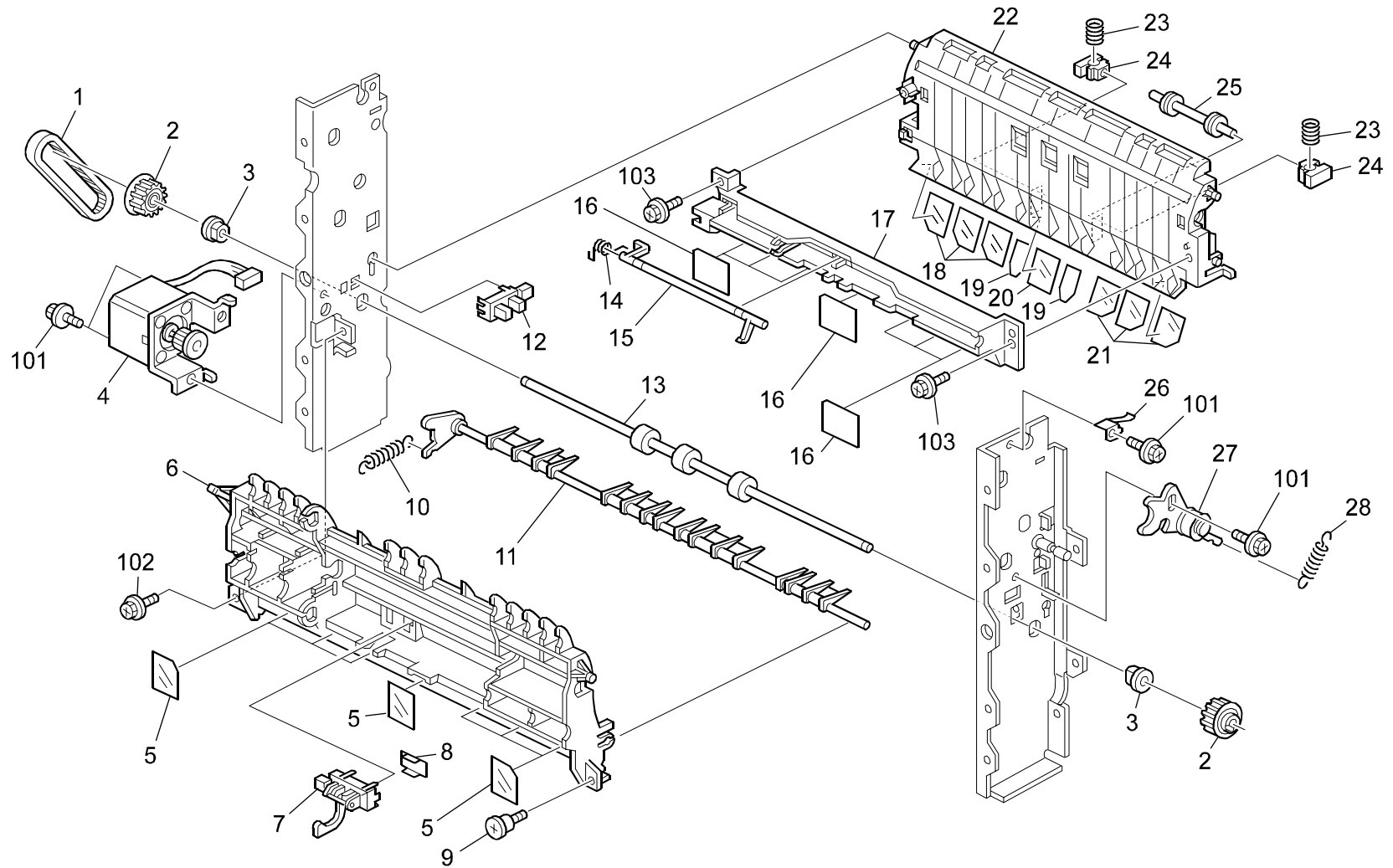


29.Duplex Section 2 (G131)

Index No.	Part No.	Description	Q'ty Per Assembly
1	G571 5544	Harness - Reverse Unit/Solenoid	1
2	G571 4811	Link - DC Solenoid	1
3	AA14 3799	Full Dug Point Screw:M4:Dia2.4	1
4	AA08 2101	Bushing - 6x10x6	7
5	G571 4633	Rear Pawl - Un Lock	1
6	A232 4688	Grip Shaft	1
7	G571 4632	Front Pawl - Un Lock	1
8	B180 4867	Guide Plate:Entrance:Duplex	1
9	AA06 6586	Torsion Spring - Guide Plate	1
10	B180 4818	Stay:Upper	1
11	AW02 0147	Photointerruptor:Feeler:Square	1
12	G571 4664	Bracket - Paper Feed Sensor	
13	B180 4866	Guide Plate:Upper	1
14	AF02 2161	Roller:Driven:2xmm16	1
15	AA08 0307	Bushing - M4	2
16	AA06 0861	Pressure Spring	2
17	AA12 0102	Discharge Brush - Exit	1
18	AF02 0619	Exit Roller:Reverse Unit:FU	1
19	AF02 0618	Transport Roller:Reverse Unit:FU	1
20	AF02 0617	Exit Roller:Duplex	1
21	AA06 0860	Spring - Un Lock	1
22	AB03 0693	Pulley - 30T	1
23	AB03 0682	Pulley - 30T	1
24	AA04 3559	Timing Belt - S2M370	1
25	AB03 0692	Pulley - 30T	1

Index No.	Part No.	Description	Q'ty Per Assembly
101	0802 5276	Tapping Screw With Washer - M3x6	
102	0451 3006N	Tapping Screw - 3x6	
103	0720 0030E	Retaining Ring - M3	
104	0805 0089	Retaining Ring - M4	
105	1105 0511	Harness Clamp - LWS-0306ZC	

30.Duplex Section 3 (G131)

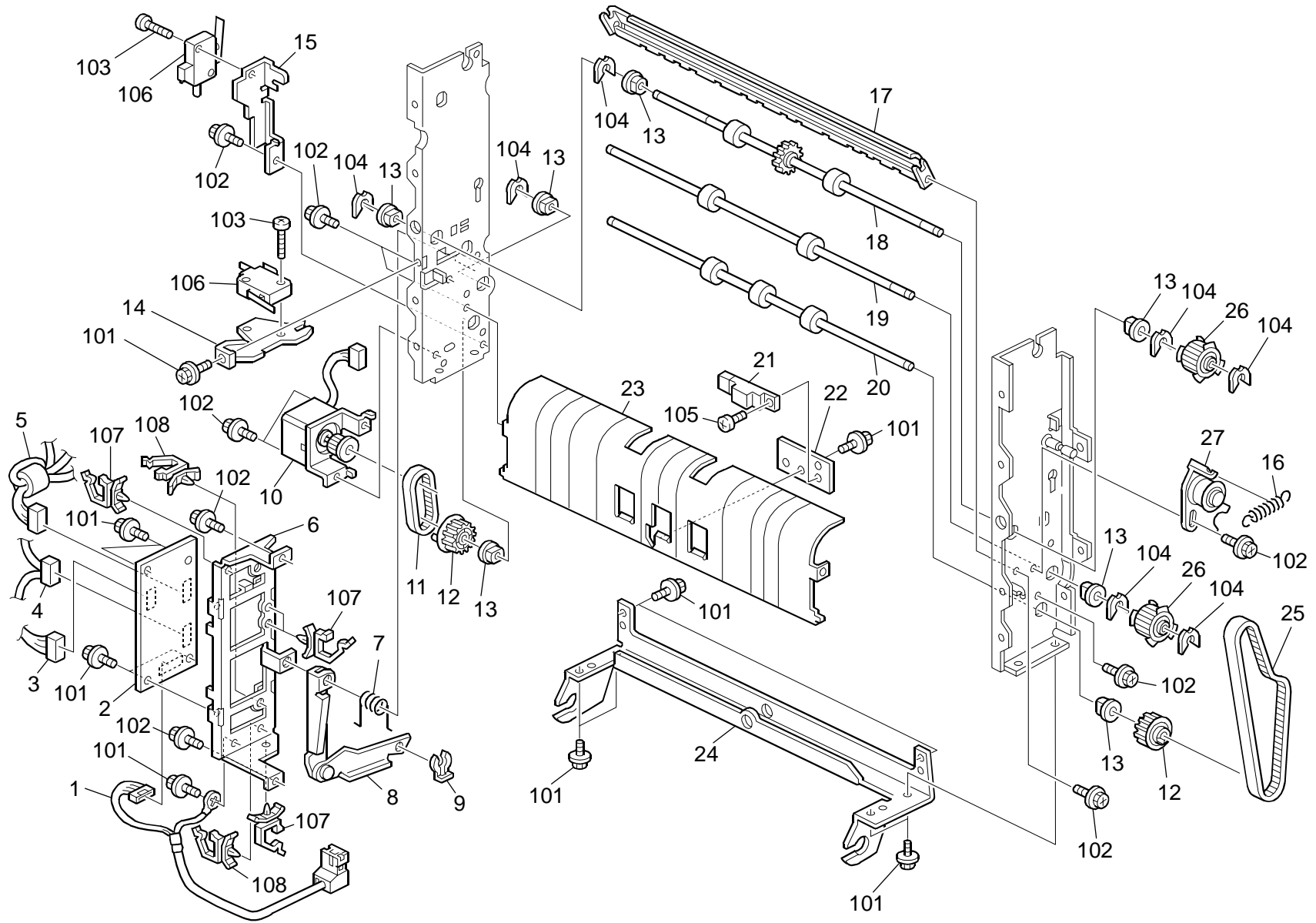


30.Duplex Section 3 (G131)

Index No.	Part No.	Description	Q'ty Per Assembly
1	AA04 3560	Timing Belt - S2M120	1
2	AB03 0682	Pulley - 30T	2
3	AA08 2101	Bushing - 6x10x6	2
4	B180 4801	Stepper Motor:Duplex:Ass'y	1
5	G571 4683	Middle Gate Sheet	7
6	G571 4656	Guide Plate - Gate	1
7	AW02 0147	Photointerruptor:Feeler:Square	1
8	G348 4687	Cover:Photointerruptor	1
9	5206 2684	Shoulder Screw - M3	1
10	AA06 0857	Spring - Gate Pawl	1
11	B180 4736	Gate Pawl:Duplex	1
12	AW02 0145	Photointerruptor:Flat	1
13	AF02 0615	Reverse Roller:Duplex	1
14	AA06 6593	Torsion Spring - Paper Feed Sensor	1
15	G571 4675	Feeler - Paper Feed Sensor	1
16	G348 4682	Sheet:Gate:2	7
17	G571 4653	Left Middle Guide Plate	1
18	G571 4677	Raer Gate Seal	3
19	G571 4678	Shield:Gate:Auxiliary	2
20	G571 4673	Gate Seal	1
21	G571 4676	Front Gate Seal	3
22	G571 4652	Middle Guide Plate	1
23	AA06 3645	Duplex Exitpressure Spring	2
24	G060 2652	Bushing - M4	2
25	AF02 2128	Transport Driven Roller	1
26	G571 4634	Grounding Plate - Un Lock Shaft	1
27	B180 4845	Tightener:Duplex:Ass'y	1
28	AA06 0859	Spring - Tightener	1

Index No.	Part No.	Description	Q'ty Per Assembly
101	0802 5276	Tapping Screw With Washer - M3x6	
102	0451 3006N	Tapping Screw - 3x6	
103	0450 3008N	Tapping Screw - M3x8	

31.Duplex Section 4 (G131)

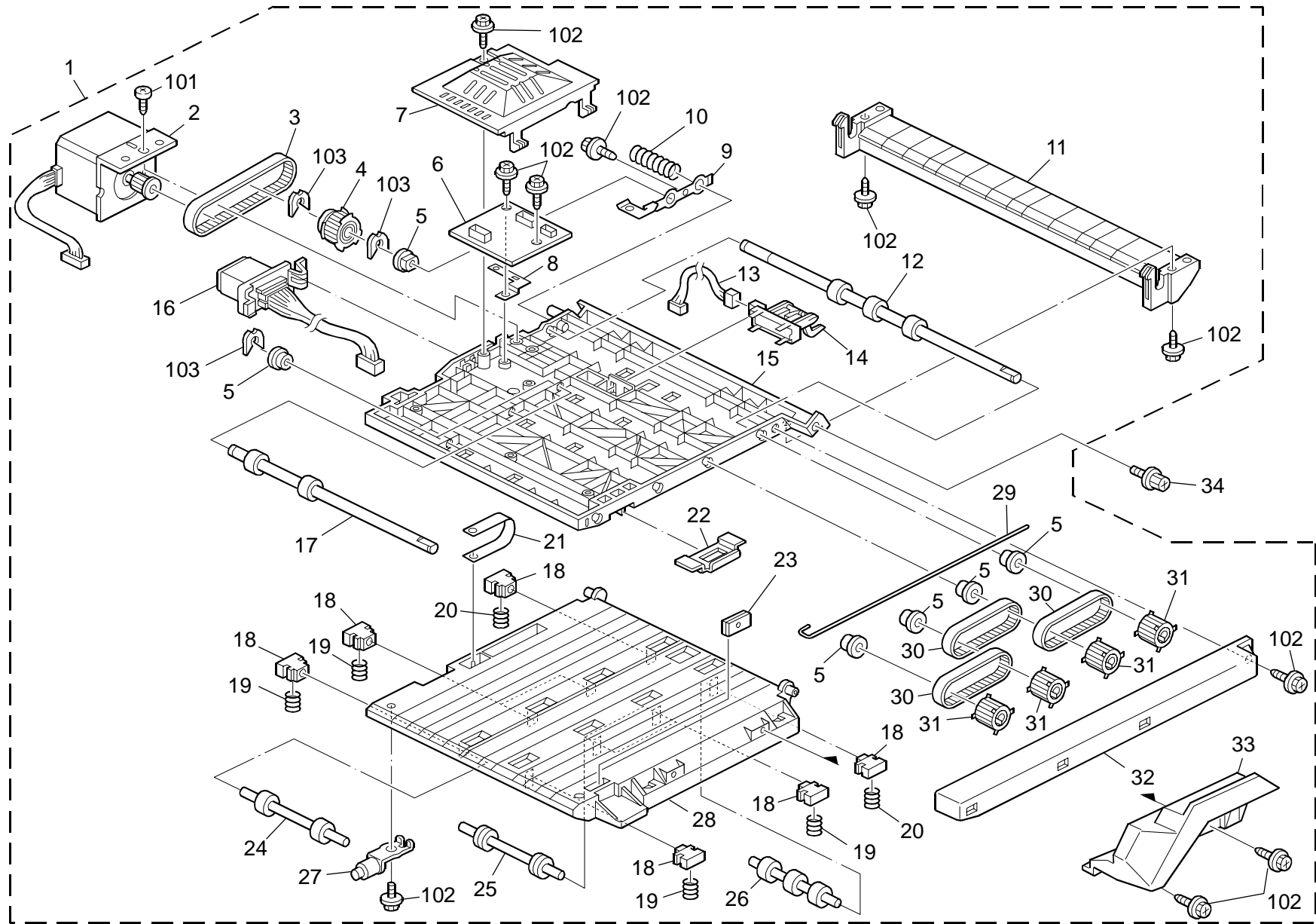


31.Duplex Section 4 (G131)

Index No.	Part No.	Description	Q'ty Per Assembly
1	G571 5546	Harness - Reverse Unit/Interface	1
2	G382 5260	PCB:DCB	1
3	G571 5545	Harness - Reverse Unit/Sensor 2	1
4	G571 5542	Harness - Reverse Unit/Safety SW	1
5	G571 5547	Harness - Reverse Unit/Sensor	1
6	B180 4805	Bracket:Base	1
7	AA06 6587	Torsion Spring - Link	1
8	B180 4841	Link:Duplex	1
9	5447 2681	Snap Ring	1
10	B180 4801	Stepper Motor:Duplex:Ass'y	1
11	AA04 3560	Timing Belt - S2M120	1
12	AB03 0682	Pulley - 30T	2
13	AA08 2101	Bushing - 6x10x6	7
14	B180 4807	Bracket:Micro Switch	1
15	B180 4806	Bracket:Micro Switch:Reverse Unit	1
16	AA06 0859	Spring - Tightener	1
17	B180 4858	Guide Plate:Exit:Lower	1
18	AF02 0617	Exit Roller:Duplex	1
19	AF02 0616	Transport Roller:Duplex:Reverse	1
20	AF02 0615	Reverse Roller:Duplex	1
21	AW01 0106	Paper Feed Sensor	1
22	B180 4863	Bracket:Sensor:Reverse	1
23	B180 4862	Guide Plate:Sensor:Reverse	1
24	B180 4819	Stay:Lower	1
25	AA04 3558	Timing Belt - S2M310	1
26	AB03 0692	Pulley - 30T	2
27	B180 4845	Tightener:Duplex:Ass'y	1

Index No.	Part No.	Description	Q'ty Per Assembly
101	0451 3006N	Tapping Screw - 3x6	
102	0802 5276	Tapping Screw With Washer - M3x6	
103	0453 3014N	Binding Self Tapping Screw 3x14	
104	0805 0089	Retaining Ring - M4	
105	0453 3006N	Tapping Screw - M3x6	
106	1204 2521	Micro Switch	
107	1105 0511	Harness Clamp - LWS-0306ZC	
108	1105 0487	Harness Clamp	

32.Duplex Section 5 (G131)

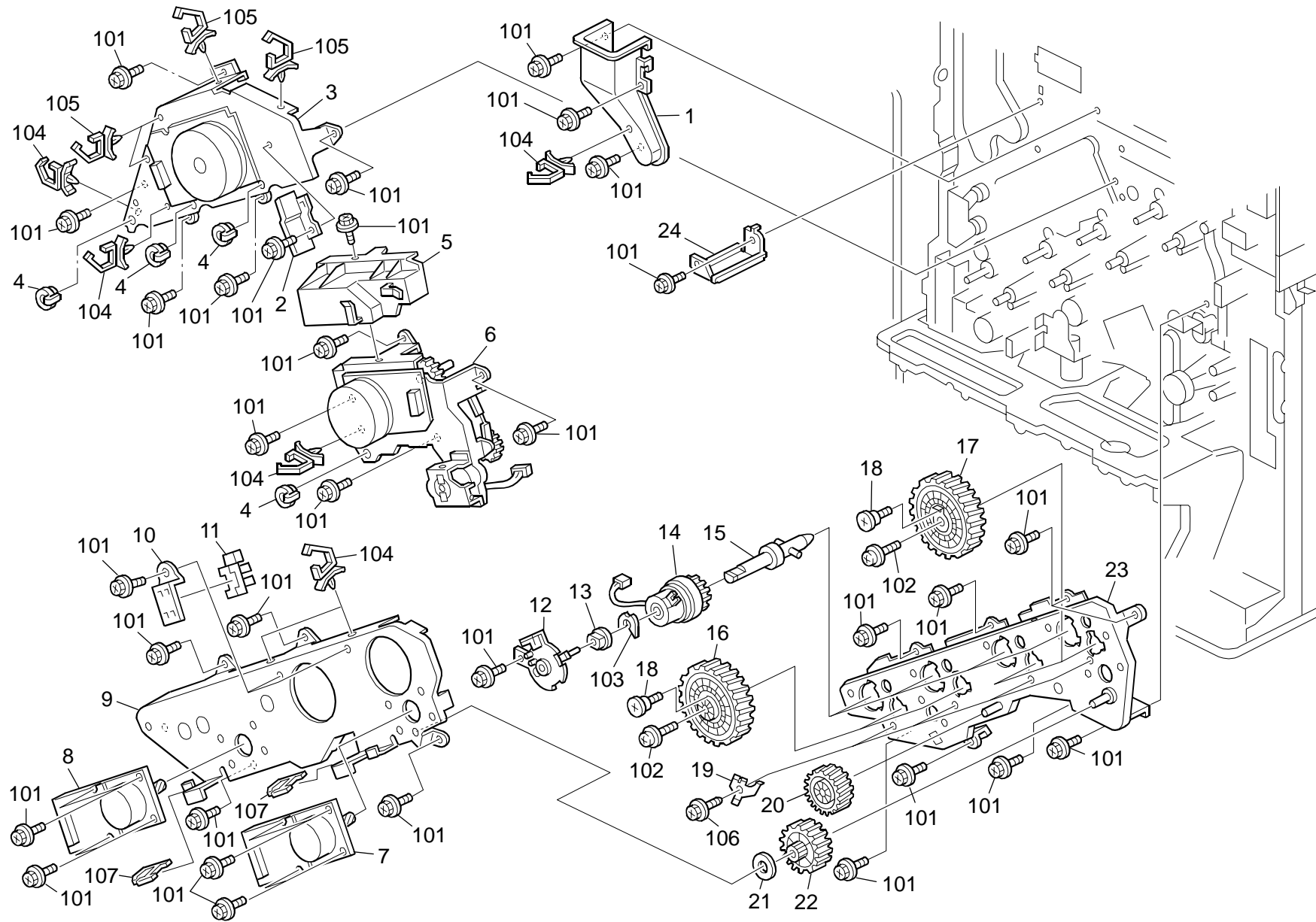


32.Duplex Section 5 (G131)

Index No.	Part No.	Description	Q'ty Per Assembly
1	B180 4900	Transport Unit:Duplex:Ass'y	1
2	B180 4940	Stepper Motor:Transport:Ass'y	1
3	AA04 3926	Timing Belt - S2M150	1
4	AB03 0692	Pulley - 30T	1
5	AA08 2102	Bushing - 6x10x6	8
6	B180 5280	PCB:DDB	1
7	G348 3855	Cover:Duplex:Driver	1
8	G571 3858	Grounding Plate - Rear Left	1
9	G571 3859	Grounding Plate - Rear Right	1
10	G571 3857	Spring - Transport	1
11	G571 3920	Guide Plate - Transport Unit	1
12	AF02 0620	Roller:Feed Paper Again:Duplex	1
13	B180 5401	Harness:Transport Unit:Sensor	1
14	AW02 0152	Photointerruptor	1
15	G571 3850	Guide Plate:Transport:Upper	1
16	B180 5400	Harness:Transport Unit:Drawer	1
17	AF02 0621	Transport Roller:Duplex:Transport	3
18	G060 2652	Bushing - M4	8
19	AA06 3617	Pressure Spring - Duplex Transport	6
20	AA06 3616	Spring - 8n	2
21	G571 3902	Band - Transport Unit	1
22	B180 4931	Plate:Magnet Catch	1
23	AG07 0514	Magnet Catch:Ass'y	1
24	AF02 2161	Roller:Driven:2xmm16	1
25	AF02 2128	Transport Driven Roller	2
26	AF02 2160	Roller:Driven:3xmm16	1
27	B180 4951	Bracket:Duplex:Roller	1
28	B180 4950	Guide Plate:Transport:Lower	1
29	G571 3856	Grounding Wire - Transport	1
30	AA04 3927	Timing Belt - S2M232	3
31	AB03 0691	Pulley - 24T	4
32	G571 3860	Duplex Transport Cover	1
33	G348 3930	Grip:Transport Unit:Duplex	1
34	G034 2993	Flanged Hexagonal Head Bolt - M3x6	1

Index No.	Part No.	Description	Q'ty Per Assembly
101	0452 3008N	Tapping Screw - M3x8	
102	0450 3008N	Tapping Screw - M3x8	
103	0805 0089	Retaining Ring - M4	

33. Drive Section 1 (G130/G131)

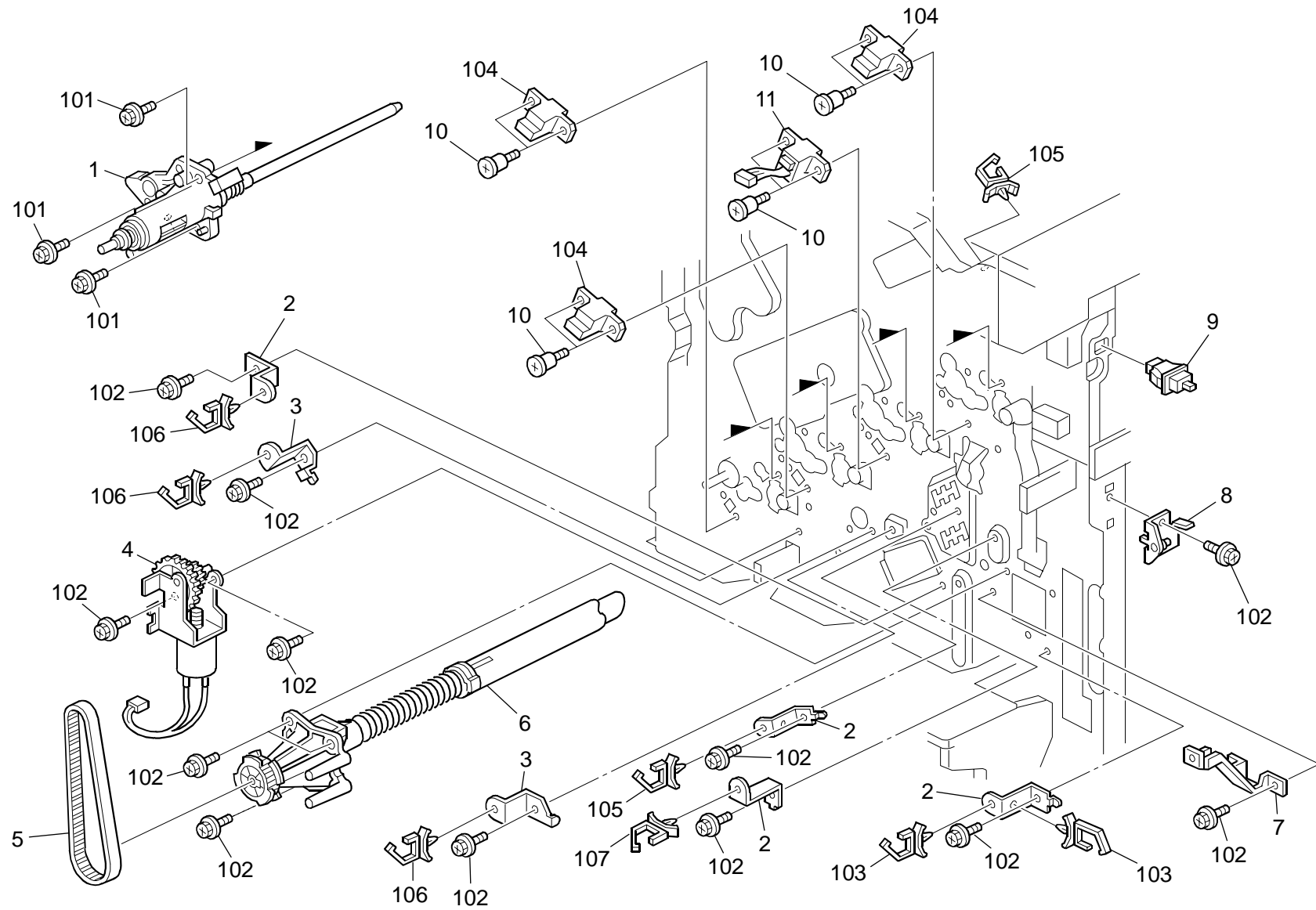


33. Drive Section 1 (G130/G131)

Index No.	Part No.	Description	Q'ty Per Assembly
1	G060 1199	Inner PCU Duct	1
2	B180 1162	Shielding Plate:Motor	1
3	B180 1120	Drive Unit:Color:Sub-ass'y	1
4	AA08 0257	Bushing - M6	4
5	B101 1194	Imaging Unit Harness Guide	1
6	B180 1100	Drive Unit:BK:Sub-ass'y	1
7	AX06 0288	Brushless Motor:Drum:Black	1
8	AX06 0289	Brushless Motor:Drum:Collar	1
9	B180 1151	Bracket:Motor:Drum	1
10	B180 1152	Holder:Positioning Sensor:Gear:Drum	2
11	AW02 0145	Photointerruptor:Flat	2
12	B180 1153	Holder:Magnetic Clutch:Development	4
13	AA08 2101	Bushing - 6x10x6	4
14	AX20 0273	Magnetic Clutch:Development:0.5n.m	4
15	B180 1115	Joint:Development:Sub-ass'y	4
16	AB01 0121	Gear:Drum:Z303:M0.3	2
17	G080 1036	Gear:Drum:Ass'y	2
18	G080 1169	Screw:M3	4
19	B101 1168	Ground Plate:OPC Drum	4
20	AB01 0122	Gear:Middle:Collar:Z140	1
21	AA13 2222	Spacer:DIA6:1mm	1
22	AB01 7633	Gear:Toner Recycling:Z105-t28	1
23	B180 1154	Bracket:Drum:Drive	1
24	G131 5680	Guide Plate:Rack:Upper	1

Index No.	Part No.	Description	Q'ty Per Assembly
101	0451 3006N	Tapping Screw - 3x6	
102	0951 4008N	Screw:Polished Round:M4x8	
103	0805 0089	Retaining Ring - M4	
104	1105 0511	Harness Clamp - LWS-0306ZC	
105	1105 0487	Harness Clamp	
106	0450 3008N	Tapping Screw - M3x8	
107	1105 0522	Edge Saddle - LES0510	

34. Drive Section 2 (G130/G131)

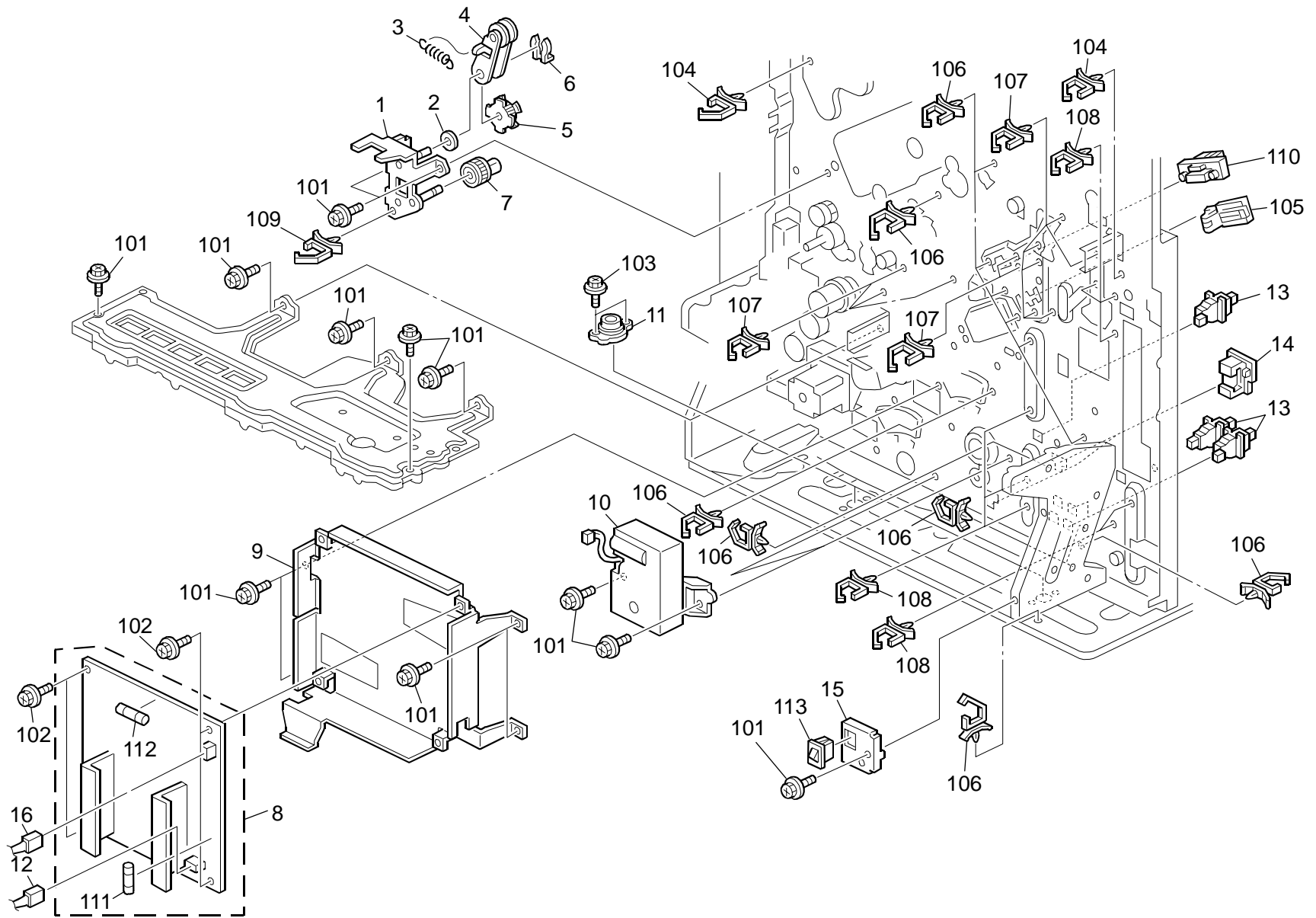


34. Drive Section 2 (G130/G131)

Index No.	Part No.	Description	Q'ty Per Assembly
1	B180 1156	Holder:OPC Drum:Ass'y	4
2	G060 5870	Clamp - M4.8	4
3	G060 5871	Clamp - M3.5	2
4	B180 3706	DC Motor:On-Off:Ass'y	1
5	AA04 3559	Timing Belt - S2M370	1
6	B101 3768	Joint:Collection Bottle:Ass'y	1
7	G080 5832	Stay:Auxiliary:DRB	1
8	B180 4995	Bracket:Link:Machine or Copier	1
9	AW50 0023	Push Switch	1
10	AA14 3219	Stepped Screw	8
11	G060 5530	Harness - Density Sensor	1

Index No.	Part No.	Description	Q'ty Per Assembly
101	0802 5296	Tapping Screw - M3x8	
102	0451 3006N	Tapping Screw - 3x6	
103	1105 0490	Harness Clamp - IWS-2218	
104	1102 8519	Connector - MI2 99RH139-9236	
105	1105 0487	Harness Clamp	
106	1105 0516	Clamp	
107	1105 0488	Harness Clamp	

35. Drive Section 3 (G130/G131)

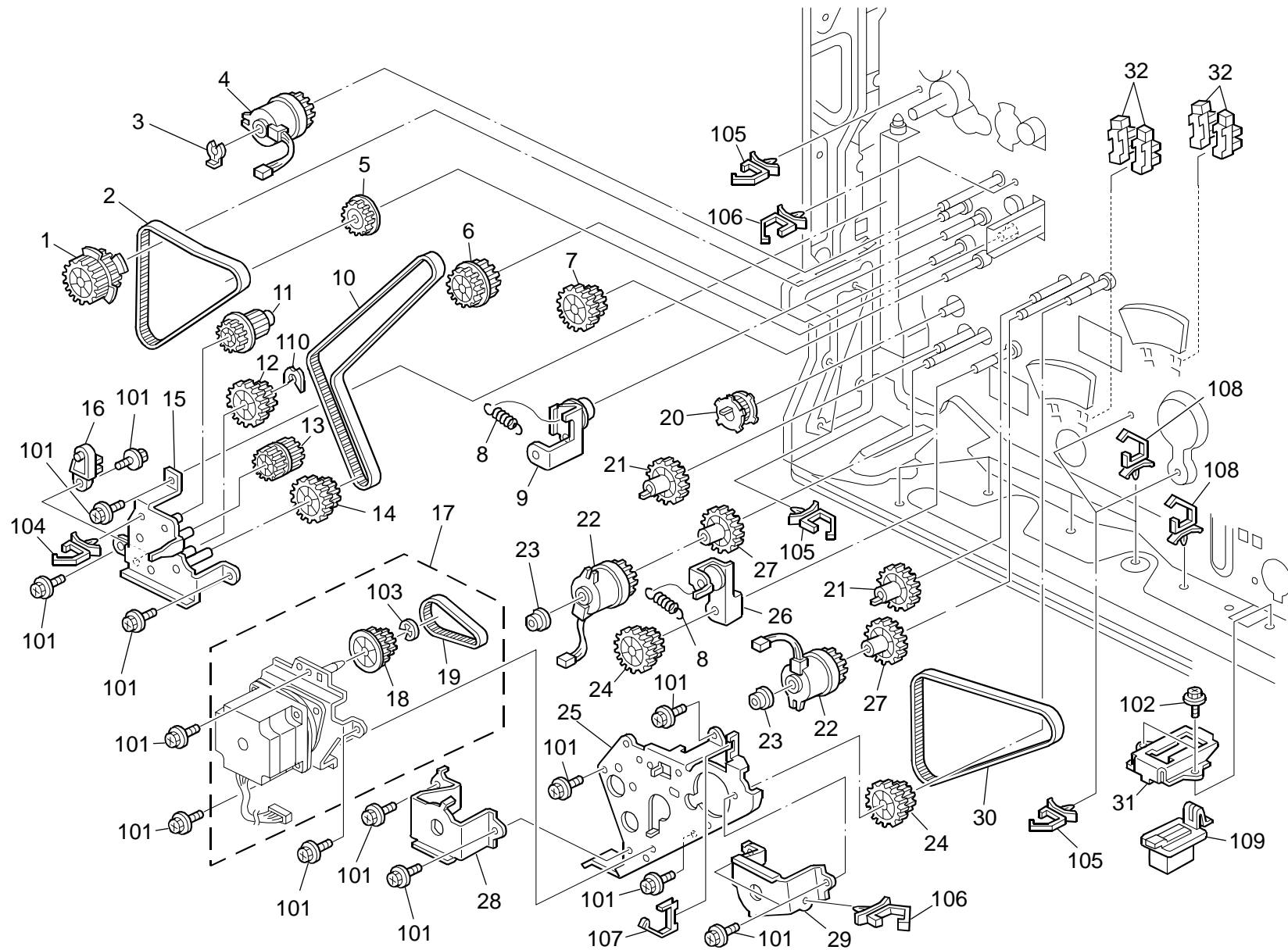


35. Drive Section 3 (G130/G131)

Index No.	Part No.	Description	Q'ty Per Assembly
1	G080 1111	Bracket:Connecting:Peen	1
2	H072 2236	Spacer - M12x6.2	1
3	AA06 0862	Tension Spring	1
4	B180 1106	Tightener:Registration:Sub-ass'y	1
5	AB03 0776	Timing Pulley	1
6	5447 2681	Snap Ring	1
7	AB03 0775	Pulley:Idler	1
8	AZ23 0136	Sub Power Supply Unit Dom/NA	1
8	AZ23 0137	Power Supply Unit - Sub EU/AA J-P3	1
9	G106 5631	Sub Power Supply Unit Bracket	1
10	B180 2800	DC Motor:Rise:Paper Tray	1
11	G060 1054	Holder:Guide Pin:Paper Feed Table	1
12	G131 5328	Harness:Dehumidifier	1
13	AW50 0023	Push Switch	3
14	B180 2801	Holder:Paper Tray	2
15	G080 5816	Bracket:Switch:Heater	1
16	G131 5351	Harness:Power Supply Unit	1

Index No.	Part No.	Description	Q'ty Per Assembly
101	0451 3006N	Tapping Screw - 3x6	
102	0802 5299	Tapping Screw:Washer:3x8	
103	0802 5292	Tapping Screw:Round Point:M3x8	
104	1105 0516	Clamp	
105	1102 9386	Connector:Drawer:55949-2631	
106	1105 0487	Harness Clamp	
107	1105 0511	Harness Clamp - LWS-0306ZC	
108	1105 0490	Harness Clamp - IWS-2218	
109	1105 0488	Harness Clamp	
110	1102 8535	Connector - QR/P17-14P-A	
111	1107 0393	Fuse (glass Case) - 8A - 125V	
112	1107 1077	Fuse:TF16SN3.15T	
113	1204 2623	Rocker Switch:AJ7100B	

36. Drive Section 4 (G130/G131)

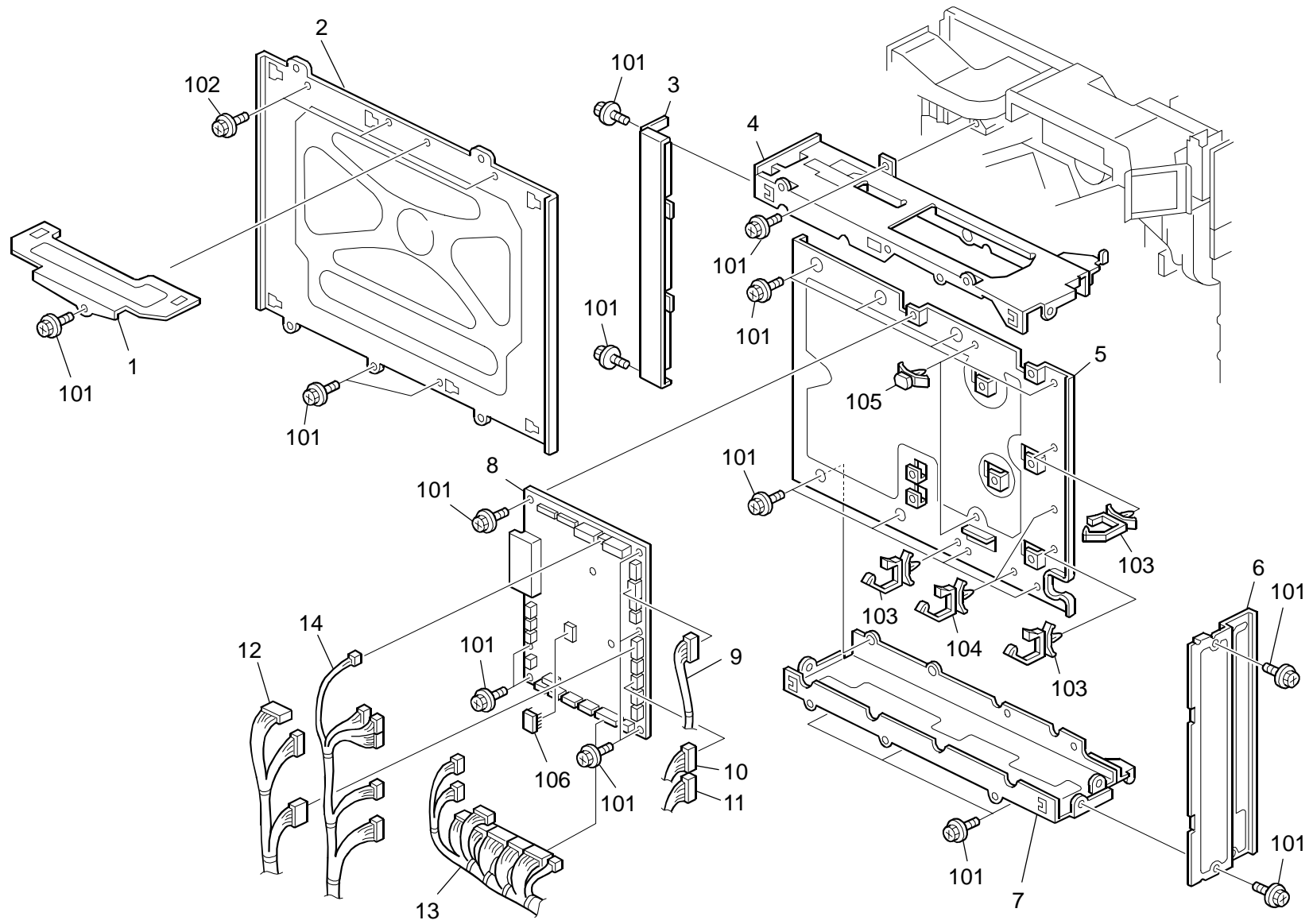


36. Drive Section 4 (G130/G131)

Index No.	Part No.	Description	Q'ty Per Assembly
1	AB01 7641	Gear - Z28/T35	1
2	AA04 3561	Timing Belt - 40S3M318	1
3	AA10 0013	Snap Ring M6	1
4	AX20 0278	Magnetic Clutch:Registration:28Z	1
5	AB03 0690	Timing Pulley - T20	1
6	AB01 7543	Gear - Z25/T26	1
7	AB01 7545	Gear - Z28/Z21	1
8	AA06 0863	Tension Spring	2
9	B180 1172	Tightener:Paper Feed:1:Sub-ass'y	1
10	AA04 3925	Timing Belt - S2M668	1
11	AB01 7635	Gear - Z15/Z17	1
12	AB01 7691	Gear:29Z/31T	1
13	AB01 1241	Gear - Z15	1
14	AB01 7634	Gear - Z18/Z29	1
15	G080 1109	Bracket:Drive:Manual Feed:Peen	1
16	G080 1161	Positioning Plate:Shaft:Drive:Manual Feed	1
17	B180 1170	Paper Feed Motor Ass'y	1
18	AB01 7542	Gear - 15Z/30Z	1
19	AA04 3563	Timing Belt - 40S3M162	1
20	AB03 0710	Timing Pulley - 20T	1
21	AB01 4038	Gear - 22Z	2
22	AX20 0279	Magnetic Clutch:Paper Feed:28Z	2
23	AA08 2102	Bushing - 6x10x6	2
24	AB01 7544	Gear - Z25/T20	2
25	G080 1171	Bracket:Paper Feed:Drive	1
26	B180 1174	Tightener:Paper Feed:2:Sub-ass'y	1
27	AB01 4037	Gear - 24Z	2
28	G060 1176	Bracket - Magnetic Clutch 1	1
29	G060 1177	Bracket - Magnetic Clutch 2	1
30	AA04 3562	Timing Belt - 40S3M384	1
31	G060 1053	Drawer Bracket - Paper Feed Table	1
32	AW02 0145	Photointerruptor:Flat	4

Index No.	Part No.	Description	Q'ty Per Assembly
101	0451 3006N	Tapping Screw - 3x6	
102	0802 5291	Tapping Screw:Round Point:M3x6	
103	0720 0040E	Retaining Ring - M4	
104	1105 0488	Harness Clamp	
105	1105 0511	Harness Clamp - LWS-0306ZC	
106	1105 0487	Harness Clamp	
107	1105 0522	Edge Saddle - LES0510	
108	1105 0489	Harness Clamp - LWS 1316	
109	1102 8534	Connector - QR/P17-14S-B	
110	0805 0089	Retaining Ring - M4	

37.Electrical Section 1 (G130/G131)

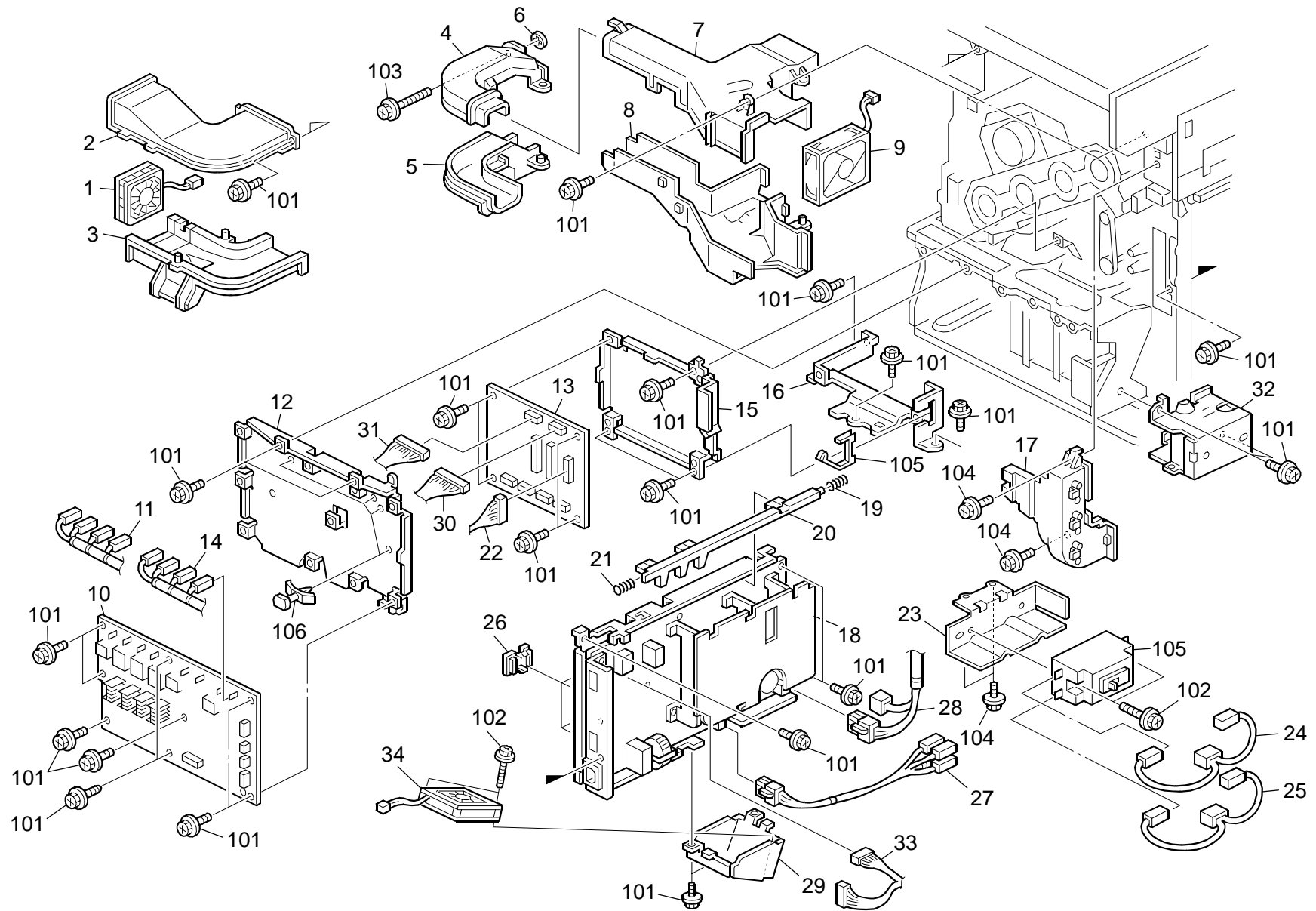


37.Electrical Section 1 (G130/G131)

Index No.	Part No.	Description	Q'ty Per Assembly
1	G131 5620	Cover:Rack:Upper:Peen	1
2	G106 5609	Rear Application Rack	1
3	G106 5626	Right Rack Cover	1
4	G106 5602	Upper Application Rack	1
5	G131 5605	Rack:Application:Front	1
6	G106 5625	Left Rack Cover	1
7	G106 5606	Lower Application Rack	1
8	G131 5051	PCB:BCU	1
9	G080 5457	Harness:DRB	1
10	G131 5323	Harness:Main:Left	1
11	B180 5326	Harness:Fusing:DC	1
12	G131 5324	Harness:PSU:Power Source:Ass'y	1
13	G131 5320	Harness:Main:Lower	1
14	G131 5321	Harness:Main:Middle:Ass'y	1

Index No.	Part No.	Description	Q'ty Per Assembly
101	0451 3006N	Tapping Screw - 3x6	
102	0802 5291	Tapping Screw:Round Point:M3x6	
103	1105 0488	Harness Clamp	
104	1105 0490	Harness Clamp - IWS-2218	
105	1105 0367	Spacer	
106	1407 1362	UVEPROM:27128	

38.Electrical Section 2 (G130/G131)

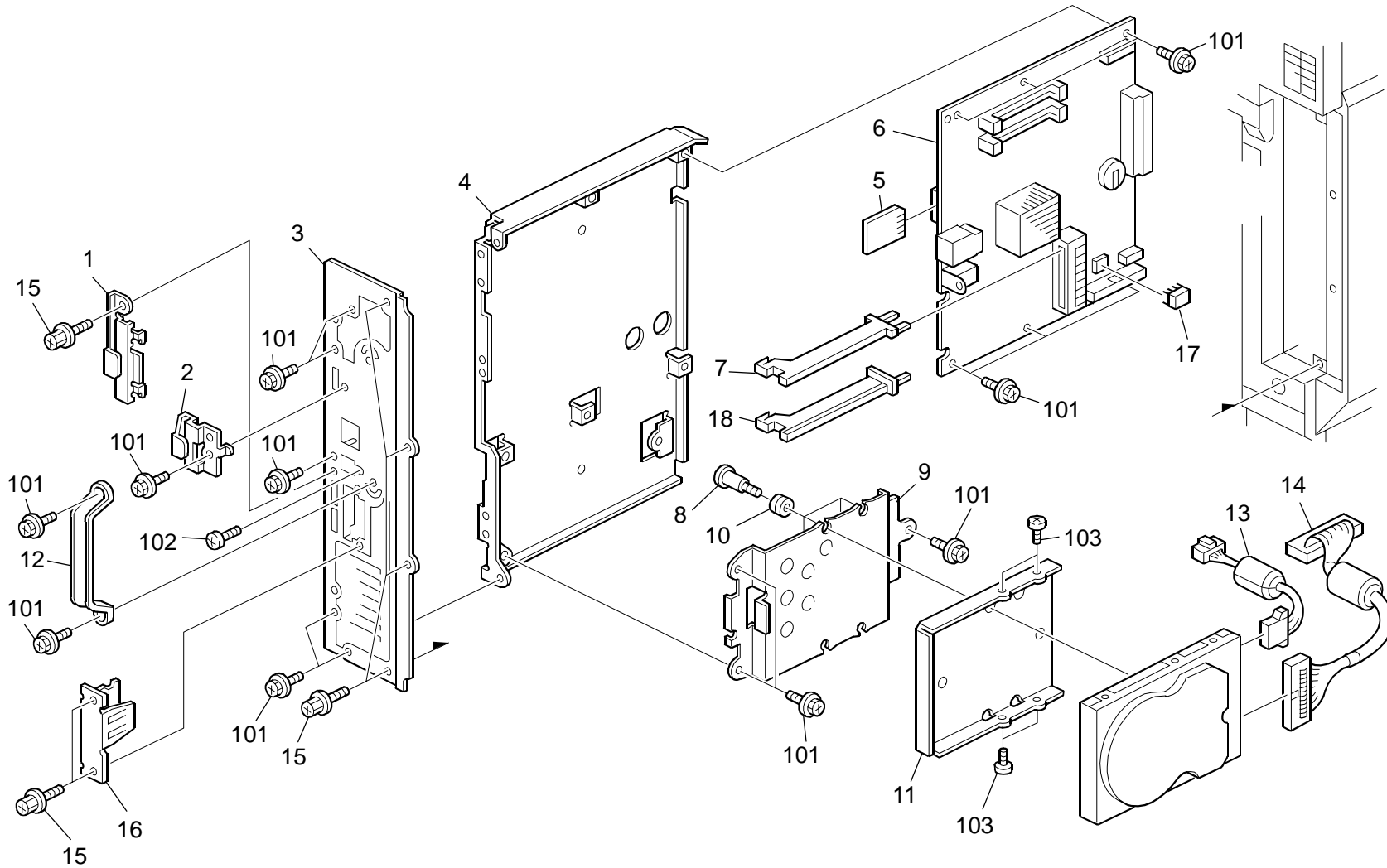


38.Electrical Section 2 (G130/G131)

Index No.	Part No.	Description	Q'ty Per Assembly
1	AX64 0160	Fan Motor Mm60	1
2	G060 1555	Upper Controller Duct	1
3	G106 1556	Duct:Control Section:Lower	1
4	B101 1192	Upper PCU Exit Duct	1
5	B101 1193	Lower PCU Exit Duct	1
6	H001 2132	Stop Ring - Knob	1
7	B101 1182	Upper Fan Duct	1
8	B101 1183	Lower Fan Duct	1
9	AX64 0159	Fan Motor Mm80	1
10	AZ32 0143	Power Pack:CAC/DC:BDC	1
11	B180 5336	Harness:Power Pack:C	1
12	G060 5814	Power Pack Bracket	1
13	B180 5130	PCB:DRB	1
14	B180 5335	Harness:Power Pack:B	1
15	B180 5631	Bracket:DRB	1
16	G080 5833	Bracket:Edge Saddle:DRB	1
17	G077 1560	Duct:Power Supply Unit	1
18	AZ24 0106	Power Supply Unit:Main:Dom/NA	1
18	AZ24 0107	Power Supply Unit:Main:EU/ASIA	1
19	AA06 3638	Compression Spring	1
20	G060 5861	Inner Back Lever - Door Switch	1
21	AA06 3613	Compression Spring	1
22	G080 5457	Harness:DRB	1
23	B101 5646	Leak Breaker Bracket	1
24	G131 5353	Harness:Leak Breaker:L:Ass'y	1
25	G131 5354	Harness:Leak Breaker:N:Ass'y	1
26	G060 5862	Cap - PSU	7
27	G131 5329	Harness:AC:SW	1
28	G131 5327	Harness:Fusing:Machine Or Copier	1
29	G060 5863	Bracket - PSU Fan	1
30	B180 5337	Harness:Drum:Black	1
31	B180 5338	Harness:Drum:Collar	1
32	G131 5647	Bracket:Choke Coil:DOM/NA:Ass'y (115V)	1
32	G131 6251	Bracket:Choke Coil:EU/AA:Ass'y (220V)	1
33	G131 5325	Harness:PSU:Control:Ass'y	1

Index No.	Part No.	Description	Q'ty Per Assembly
34	AX64 0158	Fan Motor Mm60/15mm:24V	
101	0451 3006N	Tapping Screw - 3x6	
102	0802 5286	Tapping Screw	
103	0451 3014N	Tapping Screw:3x14	
104	0802 5291	Tapping Screw:Round Point:M3x6	
105	1107 1103	Breakers:Ec2a2-020nvzr	
106	1105 0367	Spacer	

39. Printer Control Board (G130/G131)

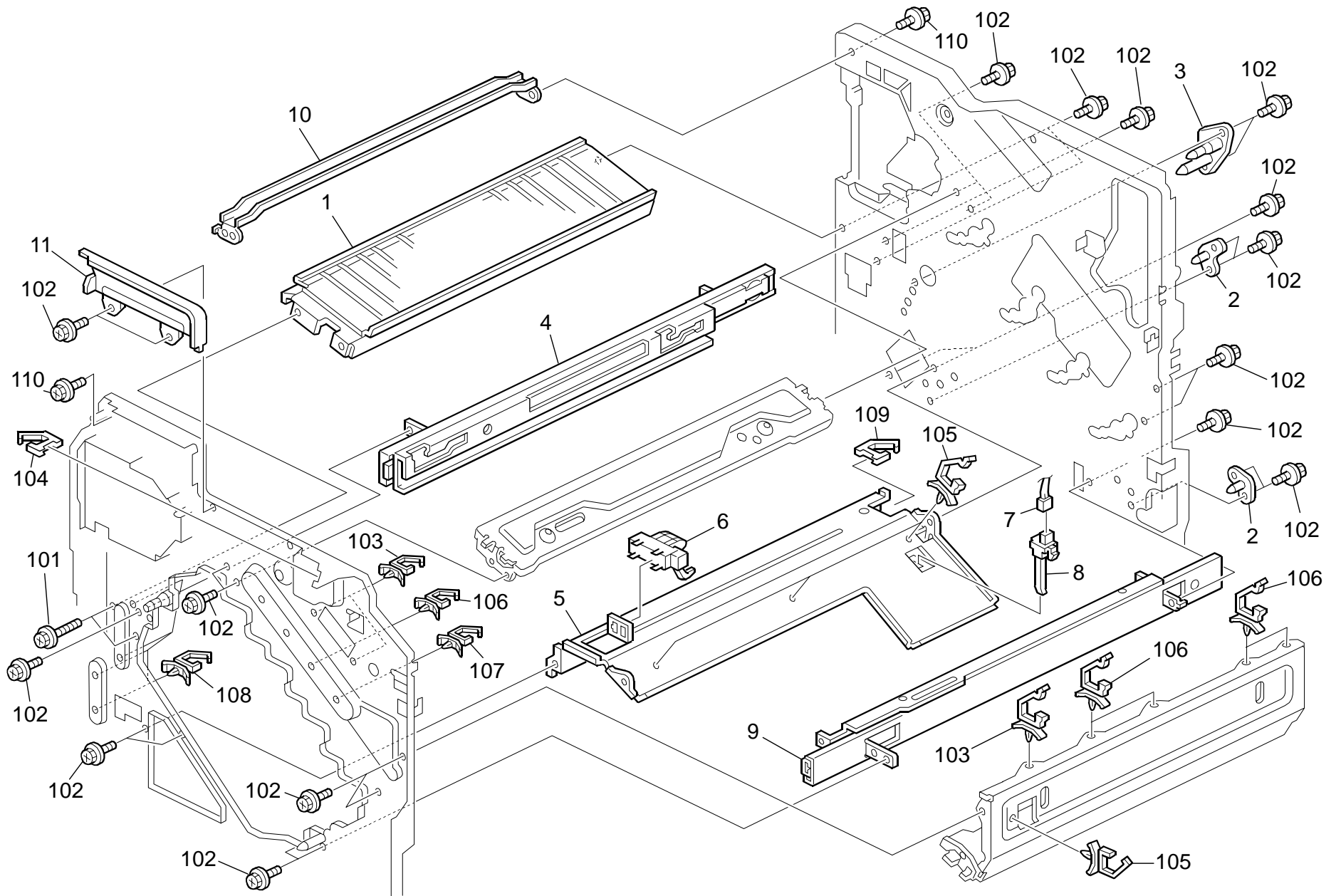


39.Printer Control Board (G130/G131)

Index No.	Part No.	Description	Q'ty Per Assembly
1	G131 5994	Panel:SD-Card:2	1
2	G131 5993	Panel:SD-Card:1	1
3	G131 5992	Panel:Control Board	1
4	B180 5991	Bracket:Control Board	1
5	G131 5931	SD-Card:J-P4:EXP:Ass'y	1
6	G131 5701	PCB:J-P4:Ass'y	1
7	G108 5108	Right Guide 1	1
8	AA14 3499	Stepped Screw	4
9	G381 5602	HDD Bracket	1
10	AA16 1125	Rubber Cushion	4
11	G308 5803	Cover:HDD	1
12	B712 5605	Grip:Application	4
13	G381 5802	Harness:Power Source:HDD:Ass'y	1
14	G381 5801	Harness:Ide:HDD:Ass'y	1
15	G034 2993	Flanged Hexagonal Head Bolt - M3x6	6
16	B101 5993	Interface Panel	1
17	G130 9590	NVRAM-Zero Counter	1
18	G108 5107	Left Guide 1	1

Index No.	Part No.	Description	Q'ty Per Assembly
101	0451 3006N	Tapping Screw - 3x6	
102	0353 0060N	Philips Pan Head Bind Screw - M3x6	
103	0801 0226	Screw:Unc:#6-32	

40.Frame Section 1 (G130/G131)

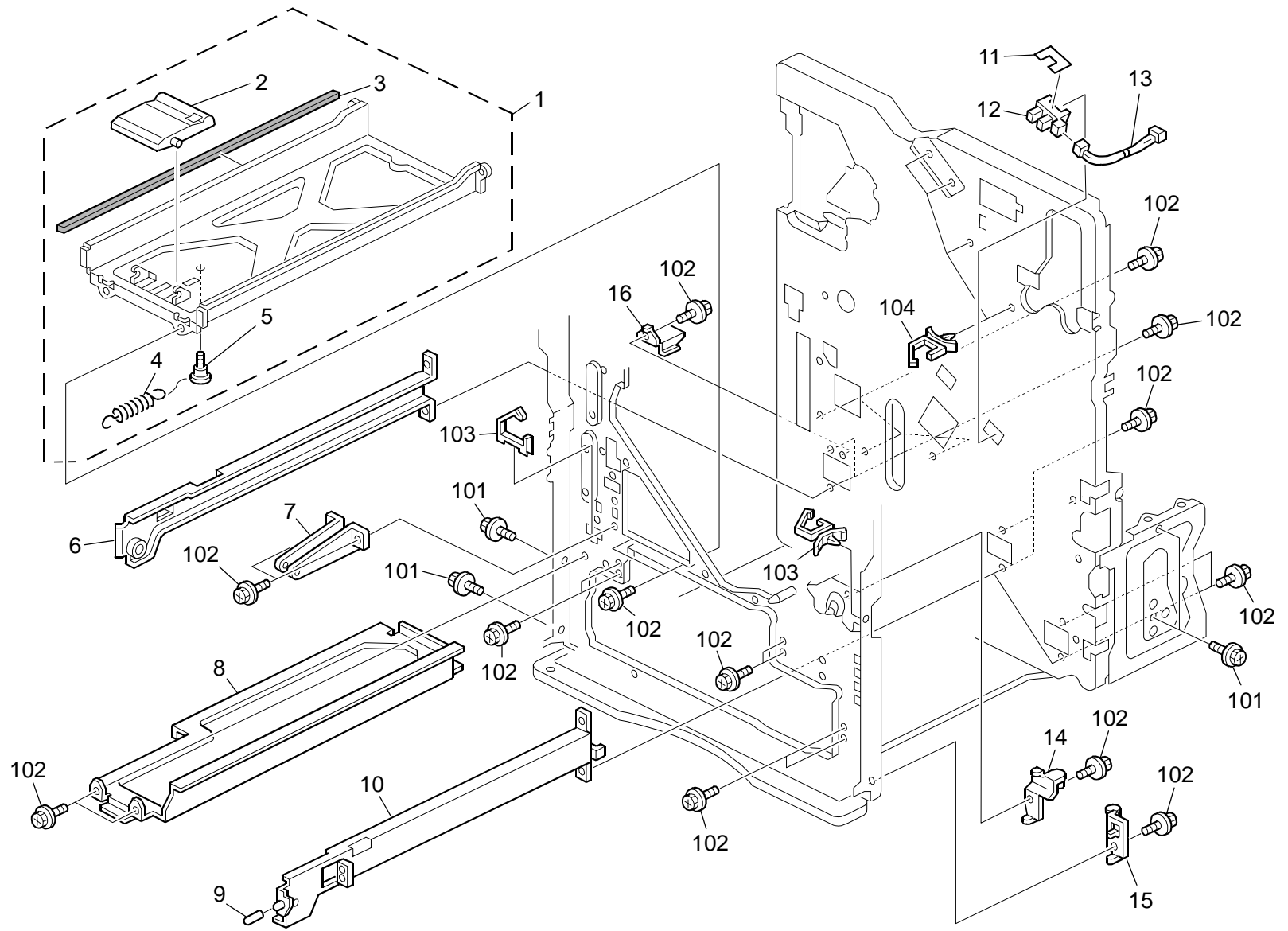


40.Frame Section 1 (G130/G131)

Index No.	Part No.	Description	Q'ty Per Assembly
1	G060 4820	Relay Guide Plate	1
2	G060 4865	Duplex Right Bracket	2
3	G060 4860	Duplex Left Bracket	1
4	B180 3640	Slide Rail:Left:Ass'y	1
5	G060 3623	Collection Bottle Bracket	1
6	AW02 0147	Photointerruptor:Feeler:Square	1
7	G080 5493	Harness:Set Sensor:Bottle	1
8	AW50 0025	Set Sensor - Collection Bottle	1
9	B180 3641	Slide Rail:Right:Ass'y	1
10	G080 4463	Stay:Exit:Fd:Upper	1
11	G106 1480	Guide Plate:Operation Panel	1

Index No.	Part No.	Description	Q'ty Per Assembly
101	0451 3010N	Tapping Screw:3x10	
102	0451 3006N	Tapping Screw - 3x6	
103	1105 0516	Clamp	
104	1105 0522	Edge Saddle - LES0510	
105	1105 0511	Harness Clamp - LWS-0306ZC	
106	1105 0488	Harness Clamp	
107	1105 0489	Harness Clamp - LWS 1316	
108	1105 0487	Harness Clamp	
109	1105 0612	Clamp:EDS-0704L-V0	
110	0802 5291	Tapping Screw:Round Point:M3x6	

41.Frame Section 2 (G130/G131)

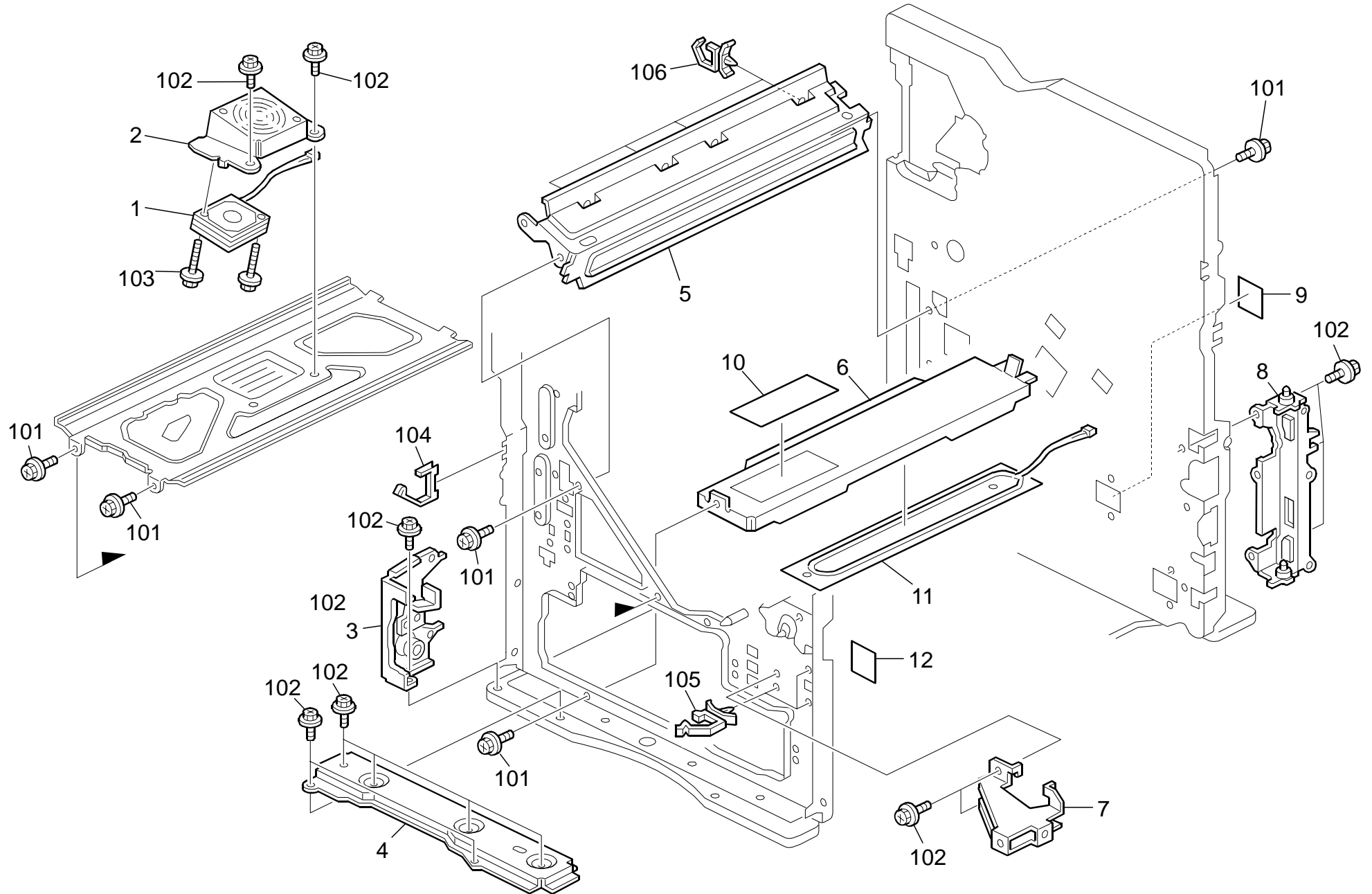


41.Frame Section 2 (G130/G131)

Index No.	Part No.	Description	Q'ty Per Assembly
1	G060 1079	Holder - Used Collection Bottle	1
2	G060 3627	Toner Bottle Sensor Feeler	1
3	G060 3629	Shield:Holder:Collection Bottle	1
4	G060 3626	Used Toner Sensor Spring	1
5	AA14 3544	Screw - M3	1
6	G060 2779	Left Supporter	1
7	G060 1277	Bracket - Front Cover Hinge	1
8	G106 5645	Lower Shielding Plate	1
9	B004 2995	Cap - Positioning	1
10	G060 2780	Supporter:Right:Ass'y	1
11	G060 3998	Seal - Sensor	1
12	AW02 0145	Photointerruptor:Flat	1
13	G080 5491	Harness:Sensor:On-Off	1
14	B180 2830	Positioning Plate:Upper:Ass'y	1
15	B180 2834	Positioning Plate:Lower:Ass'y	1
16	B180 5685	Shielding Plate:Harness	

Index No.	Part No.	Description	Q'ty Per Assembly
101	0802 5291	Tapping Screw:Round Point:M3x6	
102	0451 3006N	Tapping Screw - 3x6	
103	1105 0511	Harness Clamp - LWS-0306ZC	
104	1105 0516	Clamp	

42.Frame Section 3 (G130/G131)



42.Frame Section 3 (G130/G131)

Index No.	Part No.	Description	Q'ty Per Assembly
1	AX64 0158	Fan Motor Mm60/15mm:24V	1
2	B178 1084	Holder:Fan:Transport:Lower	1
3	G060 1089	Front Left Supporting Plate	1
4	G060 1099	Supporting Plate:Front Lower	1
5	G080 1082	Guide Plate:Transport Unit	1
6	G080 5815	Heater Cover	1
7	B101 1301	Right Front Grip Supporting Plate	1
8	B180 1095	Hinge:Vertical Transport:Ass'y	1
9	G012 3897	Film - Toner End Sensor Harnes	1
10	AA00 0401	Decal - High Temperature	1
11	AX40 0109	Heater - 120V 9W	1
11	AX40 0110	Heater - 230V 9W	1

Index No.	Part No.	Description	Q'ty Per Assembly
101	0451 3006N	Tapping Screw - 3x6	
102	0802 5291	Tapping Screw:Round Point:M3x6	
103	0802 5286	Tapping Screw	
104	1105 0522	Edge Saddle - LES0510	
105	1105 0511	Harness Clamp - LWS-0306ZC	
106	1105 0516	Clamp	

43.Printer Control Board (G130/G131)

BAT

SYMBOL NO.	INDEX NO.
BAT1	116

CAPACITOR

SYMBOL NO.	INDEX NO.
C1	226
C2	194
C3	224
C4	194
C5	226
C6	234
C7	223
C8	229
C9	226
---	---

SYMBOL NO.	INDEX NO.
---	---
C12	212
C13	213
C14	234
C15	234
---	---
---	---
C18	189
C19	226
C20	211

SYMBOL NO.	INDEX NO.
C21	226
C22	226
---	---
C24	212
C25	192
---	---
C26	212
---	---
C28	226
C29	351
---	---

SYMBOL NO.	INDEX NO.
C31	212
---	---
C33	226
C34	211
---	---
---	---
---	---
C37	226
---	---
C39	214
---	---

SYMBOL NO.	INDEX NO.
C41	226
---	---
---	---
C44	226
---	---
---	---
C46	226
C47	199
C48	199
C49	212
C50	211

SYMBOL NO.	INDEX NO.
C51	226
---	---
---	---
---	---
C55	226
---	---
C56	211
---	---
C58	211
C59	232
---	---

CAPACITOR

SYMBOL NO.	INDEX NO.
C61	225
C62	226
C63	212
C64	191
C65	223
C66	207
C67	204
C68	210
C69	212
C70	217

SYMBOL NO.	INDEX NO.
C71	194
C72	205
C73	191
C74	225
C75	191
C76	232
C77	210
C78	212
C79	193
C80	223

SYMBOL NO.	INDEX NO.
C81	191
C82	225
C83	226
C84	212
C85	226
C86	210
C87	232
---	---
---	---
C90	191

SYMBOL NO.	INDEX NO.
C91	219
---	---
C93	201
C94	212
C95	223
---	---
C97	212
C98	226
C99	223
---	---

SYMBOL NO.	INDEX NO.
---	---
---	---
---	---
---	---
C105	191
C106	212
C107	224
C108	191
C109	197
---	---

SYMBOL NO.	INDEX NO.
C111	226
C112	226
C113	226
C114	226
C115	226
C116	226
C117	226
C118	226
C119	226
C120	224

SYMBOL NO.	INDEX NO.
C121	224
C122	224
C123	224
C124	224
C125	224
C126	219
C127	226
C128	212
C129	212
C130	212

43.Printer Control Board (G130/G131)

CAPACITOR

SYMBOL NO.	INDEX NO.	SYMBOL NO.	INDEX NO.	SYMBOL NO.	INDEX NO.	SYMBOL NO.	INDEX NO.	SYMBOL NO.	INDEX NO.	SYMBOL NO.	INDEX NO.	SYMBOL NO.	INDEX NO.
C131	212	C141	212	C151	212	C161	226	C171	212	C181	190	C191	210
C132	212	---	---	C152	212	C162	226	C172	211	C182	223	C192	224
C133	226	---	---	C153	212	C163	226	C173	218	C183	210	C193	212
C134	226	C144	226	C154	212	C164	226	C174	219	C184	223	C194	212
C135	198	C145	190	C155	212	C165	210	---	---	C185	210	C195	212
C136	200	C146	212	C156	212	C166	198	C176	219	C186	201	C196	212
C137	200	C147	212	C157	212	C167	205	C177	219	C187	215	C197	212
---	---	C148	212	C158	224	C168	210	C178	219	C188	223	C198	212
---	---	C149	212	C159	226	---	---	C179	212	C189	212	C199	212
---	---	C150	212	C160	226	C170	194	C180	190	C190	212	C200	210

CAPACITOR

SYMBOL NO.	INDEX NO.	SYMBOL NO.	INDEX NO.	SYMBOL NO.	INDEX NO.	SYMBOL NO.	INDEX NO.	SYMBOL NO.	INDEX NO.	SYMBOL NO.	INDEX NO.	SYMBOL NO.	INDEX NO.
C201	194	C211	226	C221	223	C231	224	---	---	C251	191	C261	212
C202	226	C212	194	C222	210	C232	200	C242	350	C252	212	C262	212
C203	191	C213	223	C223	223	C233	200	C243	230	C253	224	C263	191
C204	215	C214	210	C224	223	C234	223	C244	226	C254	212	C264	225
C205	212	C215	223	C225	210	---	---	---	---	C255	212	C265	191
C206	209	C216	210	C226	226	---	---	C246	212	C256	212	C266	224
C207	208	C217	200	C227	194	C237	191	C247	212	C257	191	C267	224
C208	210	C218	223	C228	226	C238	210	C248	212	C258	223	C268	219
C209	210	C219	223	C229	226	C239	226	C249	209	C259	224	C269	212
C210	223	C220	210	C230	205	C240	219	C250	212	C260	233	C270	212

43.Printer Control Board (G130/G131)

CAPACITOR

SYMBOL NO.	INDEX NO.	SYMBOL NO.	INDEX NO.	SYMBOL NO.	INDEX NO.	SYMBOL NO.	INDEX NO.	SYMBOL NO.	INDEX NO.	SYMBOL NO.	INDEX NO.	SYMBOL NO.	INDEX NO.
C271	212	C281	212	C291	210	C301	226	---	---	C321	212	C331	212
C272	219	C282	226	C292	212	C302	226	---	---	C322	212	C332	212
---	---	C283	226	C293	226	C303	212	C313	211	C323	212	C333	212
---	---	C284	226	C294	226	---	---	C314	226	C324	191	C334	212
C275	219	C285	212	C295	210	---	---	---	---	C325	212	C335	196
C276	219	C286	226	C296	212	---	---	---	---	C326	212	C336	196
C277	212	C287	210	C297	210	---	---	---	---	C327	212	C337	196
C278	219	C288	210	C298	212	---	---	C318	224	C328	212	C338	196
C279	220	C289	210	C299	212	---	---	C319	224	C329	212	C339	196
C280	204	C290	210	C300	212	---	---	C320	212	C330	212	C340	224

CAPACITOR

SYMBOL NO.	INDEX NO.	SYMBOL NO.	INDEX NO.	SYMBOL NO.	INDEX NO.	SYMBOL NO.	INDEX NO.	SYMBOL NO.	INDEX NO.	SYMBOL NO.	INDEX NO.	SYMBOL NO.	INDEX NO.
C341	196	C351	212	C361	224	C371	196	C381	212	C391	212	C401	212
C342	212	C352	196	C362	212	C372	196	C382	212	C392	212	C402	212
C343	212	C353	196	C363	196	C373	196	C383	212	C393	224	C403	212
C344	196	C354	212	C364	196	C374	212	C384	224	C394	224	C404	212
C345	196	C355	196	C365	212	C375	212	C385	212	C395	212	C405	212
C346	212	C356	196	C366	196	C376	212	C386	212	C396	212	C406	212
C347	224	C357	212	C367	224	C377	212	C387	212	C397	224	C407	212
C348	224	C358	196	C368	212	C378	212	C388	191	C398	204	C408	212
C349	196	C359	196	C369	196	C379	212	C389	191	C399	212	C409	212
C350	196	C360	224	C370	196	C380	212	C390	224	C400	228	C410	226

43.Printer Control Board (G130/G131)

CAPACITOR

SYMBOL NO.	INDEX NO.	SYMBOL NO.	INDEX NO.	SYMBOL NO.	INDEX NO.	SYMBOL NO.	INDEX NO.	SYMBOL NO.	INDEX NO.	SYMBOL NO.	INDEX NO.	SYMBOL NO.	INDEX NO.
C411	226	C421	212	C431	212	C441	212	C451	226	C461	212	C471	212
C412	212	C422	204	C432	212	C442	212	C452	212	C462	212	C472	212
C413	212	C423	212	C433	224	C443	212	C453	212	C463	212	C473	212
C414	224	C424	212	C434	212	---	---	C454	212	C464	212	C474	212
C415	212	C425	224	C435	212	C445	212	C455	212	C465	212	C475	212
C416	224	C426	212	C436	224	C446	209	C456	212	C466	212	C476	212
C417	228	C427	212	C437	209	C447	224	C457	212	C467	228	C477	212
C418	212	C428	224	C438	212	---	---	C458	212	C468	228	C478	212
C419	212	C429	212	C439	224	---	---	C459	212	C469	228	C479	212
C420	212	C430	224	C440	212	C450	212	C460	212	C470	212	C480	212

CAPACITOR

SYMBOL NO.	INDEX NO.	SYMBOL NO.	INDEX NO.	SYMBOL NO.	INDEX NO.	SYMBOL NO.	INDEX NO.	SYMBOL NO.	INDEX NO.	SYMBOL NO.	INDEX NO.	SYMBOL NO.	INDEX NO.
---	---	C491	210	C501	212	C511	228	C521	212	C531	226	C541	212
---	---	C492	226	C502	191	C512	226	C522	212	C532	212	C542	212
C483	201	C493	219	C503	212	C513	226	C523	212	C533	226	C543	212
---	---	C494	231	C504	212	C514	226	C524	228	C534	228	C544	228
C485	221	C495	224	C505	212	C515	210	C525	226	C535	212	C545	224
C486	206	C496	191	C506	212	C516	226	C526	226	C536	226	C546	224
C487	210	C497	212	C507	226	C517	191	C527	212	C537	212	C547	191
C488	226	C498	212	C508	226	C518	219	C528	212	C538	212	C548	210
C489	202	C499	191	C509	215	C519	212	C529	212	---	---	C549	219
C490	191	C500	224	---	---	C520	212	C530	228	C540	219	C550	212

43.Printer Control Board (G130/G131)

CAPACITOR

SYMBOL NO.	INDEX NO.	SYMBOL NO.	INDEX NO.	SYMBOL NO.	INDEX NO.	SYMBOL NO.	INDEX NO.	SYMBOL NO.	INDEX NO.	SYMBOL NO.	INDEX NO.	SYMBOL NO.	INDEX NO.
C551	212	C561	226	C572	224	C582	203	C592	212	C602	212	C612	212
C552	212	C562	224	C573	212	C583	212	C593	194	---	---	C613	203
C553	219	---	---	C574	224	C584	212	C594	212	C604	212	C614	212
C554	226	---	---	C575	212	C585	212	C595	212	C605	212	C615	224
C555	224	C565	226										
		C566	226	C576	203	C586	212	C596	212	C606	224	C616	212
C556	224	C567	226	C577	227	C587	212	C597	212	C607	212	C617	212
C557	226	---	---	C578	216	C588	212	C598	224	C608	224	---	---
C558	194	C569	226	C579	212	C589	203	C599	212	C609	212	---	---
C559	226	C570	212	C580	212	C590	212	C600	212	C610	212	C620	203
C560	224	C571	226	C581	227	C591	212	C601	224	C611	212	C621	212

CAPACITOR

SYMBOL NO.	INDEX NO.	SYMBOL NO.	INDEX NO.	SYMBOL NO.	INDEX NO.	SYMBOL NO.	INDEX NO.	SYMBOL NO.	INDEX NO.	SYMBOL NO.	INDEX NO.	SYMBOL NO.	INDEX NO.
C622	212	C632	224	C641	224	C651	212	C661	212	C671	195	C681	224
C623	212	C633	224	C642	224	C652	224	C662	212	---	---	C682	212
C624	212	C634	203	---	---	C653	224	C663	224	C673	222	C683	226
C625	203	C635	226	C644	224	C654	224	C664	224	C674	224	C684	212
				C645	191	C655	212	C665	224	C675	212	C685	212
C626	212	C636	224	---	---	C656	212	C666	212	C676	211	C686	224
C627	226	C637	211			C657	212	C667	212	C677	226	---	---
C628	212	C637	224	C647	212	C658	212	C668	212	C678	212	C688	225
C629	212	C638	212	C648	224	C659	224	C669	212	C679	212	C689	212
C630	212	C639	212	C649	212	C660	212	C670	204	C680	219	C690	226
C631	212	C640	212	C650	212								

43.Printer Control Board (G130/G131)

CAPACITOR

SYMBOL NO.	INDEX NO.
C691	212
C692	223
C693	223
C694	223
---	---
C696	226
C697	226
---	---
---	---
---	---

SYMBOL NO.	INDEX NO.
C701	225
C702	192
C703	212
C704	212
C705	212
C706	212
C707	212
C708	223
C709	212
C710	351

SYMBOL NO.	INDEX NO.
C711	351
C712	226
C713	210
C714	191
C715	234
C716	226
---	---
---	---
C719	191
C720	192

SYMBOL NO.	INDEX NO.
C721	210
C722	226
C723	212
C724	223
C725	223
C726	223
C727	223
C728	223
C729	223
C730	223

SYMBOL NO.	INDEX NO.
C731	223
C732	223
C733	223
C734	223
C735	223
C736	223
C737	223
C738	223
C739	223
C740	194

SYMBOL NO.	INDEX NO.
C741	212
C742	224
C743	224
C744	224
C745	224

CONNECTOR

SYMBOL NO.	INDEX NO.
CN100	108
CN101	105
CN102	105
CN103	111
---	---
CN105	104
CN106	107
CN107	107
CN108	107
CN109	106
---	---

CONNECTOR

SYMBOL NO.	INDEX NO.
---	---
---	---
CN113	109
---	---
CN115	101
---	---
CN117	110
---	---
CN119	102
---	---
CN121	103

DIODE

SYMBOL NO.	INDEX NO.
D1	133
D2	133
D3	135
D4	136
D5	137
D6	136
D7	137
D8	135
D9	135
D10	135

SYMBOL NO.	INDEX NO.
D11	136
D12	134
---	---
D14	135
D15	135
D16	133
D17	133
D18	133
D19	133
D20	133

FILTER

SYMBOL NO.	INDEX NO.
FIL3	240
FIL4	240
FIL5	235
FIL6	236
FIL7	236
FIL8	237
FIL9	237

FUSE

SYMBOL NO.	INDEX NO.
FU2	113

IC

SYMBOL NO.	INDEX NO.
---	---
IC2	167
IC3	174
---	---
IC5	149
---	---
---	---
---	---
IC9	151
---	---

SYMBOL NO.	INDEX NO.
---	---
IC12	174
IC13	171
IC14	156
IC15	142
---	---
IC17	167
IC18	3
IC19	156
IC20	165

43.Printer Control Board (G130/G131)

IC

SYMBOL NO.	INDEX NO.
IC21	172
IC22	172
IC23	2
IC24	175
IC25	164
IC26	148
---	---
IC28	163
IC29	152
IC30	157

SYMBOL NO.	INDEX NO.
IC31	171
IC32	1
---	---
---	---
---	---
---	---
IC37	146
IC38	151
IC39	4
IC39	168
IC40	166

SYMBOL NO.	INDEX NO.
IC41	158
IC42	177
IC43	150
IC44	150
IC45	153
IC46	154
IC47	145
IC48	156
IC49	170
IC50	172

SYMBOL NO.	INDEX NO.
IC51	174
---	---
---	---
---	---
IC55	143
IC56	155
IC57	145
IC58	173
---	---
IC60	140

SYMBOL NO.	INDEX NO.
IC61	140
---	---
IC63	141
IC64	144
IC65	160
IC66	159
IC67	162
IC68	147
---	---
IC70	161

SYMBOL NO.	INDEX NO.
ICS10	112

JP

SYMBOL NO.	INDEX NO.
JP1	297
JP2	297
JP3	297
JP4	297
JP5	297
JP6	249
JP7	249
JP8	297
JP9	249
JP10	249

JP

SYMBOL NO.	INDEX NO.
JP11	249
JP12	249
JP13	249
JP14	249
---	---
JP16	297

L

SYMBOL NO.	INDEX NO.
L1	241
L2	242
L3	242
L4	239
L5	238

LED

SYMBOL NO.	INDEX NO.
LED1	139
LED2	139
LED3	139
LED4	139
LED5	139
LED6	139
LED7	139
LED8	139
LED9	139
LED10	138

OSC

SYMBOL NO.	INDEX NO.
OSC1	178
OSC2	179
OSC3	181
OSC4	180
OSC5	182

Q

SYMBOL NO.	INDEX NO.
Q1	129
Q2	132
Q3	117
---	---
---	---
Q6	127
Q7	121
Q8	125
Q9	126
Q10	130

SYMBOL NO.	INDEX NO.
Q11	132
Q12	131
---	---
---	---
---	---
---	---
Q17	121
Q18	123
Q19	130
Q20	131

SYMBOL NO.	INDEX NO.
Q21	131
Q22	130
Q23	124
Q24	121
Q25	121
Q26	124
Q27	120
Q28	124
Q29	124
Q30	121

43.Printer Control Board (G130/G131)

Q

SYMBOL NO.	INDEX NO.
Q31	127
Q32	121
Q33	121
Q34	122
---	---
Q36	121
Q37	118
Q38	129
Q39	121
Q40	129

SYMBOL NO.	INDEX NO.
---	---
Q42	122
Q43	121
Q44	129
Q45	121
Q46	121
Q47	121
Q48	118
Q49	128
Q50	119

SYMBOL NO.	INDEX NO.
Q51	128

RESISTOR

SYMBOL NO.	INDEX NO.
R1	255
R2	255
R3	255
R4	348
---	---
R6	255
R7	270
R8	270
---	---
R10	255

SYMBOL NO.	INDEX NO.
R11	254
R12	254
R13	270
R14	255
R15	276
---	---
R16	255
---	---
R18	255
---	---
R20	276

SYMBOL NO.	INDEX NO.
---	---
---	---
R23	255
R24	299
R25	348
---	---
R26	299
R27	336
R28	336
R29	336
R30	299

SYMBOL NO.	INDEX NO.
R31	299
R32	299
---	---
---	---
R35	271
---	---
R37	270
R38	283
R39	250
R40	274

RESISTOR

SYMBOL NO.	INDEX NO.
---	---
---	---
R43	274
R44	255
R45	255
---	---
R46	255
R47	255
R48	255
R49	255
R50	255

SYMBOL NO.	INDEX NO.
R51	270
R52	255
R53	298
R54	299
---	---
---	---
R57	251
---	---
R59	252
---	---

SYMBOL NO.	INDEX NO.
R61	286
---	---
---	---
R64	276
R65	276
---	---
R66	270
R67	255
R68	297
---	---
R70	286

SYMBOL NO.	INDEX NO.
---	---
R72	270
R73	270
---	---
R75	286
---	---
R76	286
---	---
---	---
R79	286
R80	255

SYMBOL NO.	INDEX NO.
---	---
R82	286
R83	276
R84	255
R85	274
---	---
R86	274
R87	286
R88	286
R89	255
R90	274

SYMBOL NO.	INDEX NO.
R91	286
R92	274
R93	274
R94	274
R95	255
---	---
R96	274
R97	274
R98	274
R99	274
R100	274

SYMBOL NO.	INDEX NO.
R101	286
R102	286
R103	280
R104	255
R105	257
---	---
R106	257
---	---
R108	270
R109	286
R110	265

43.Printer Control Board (G130/G131)

RESISTOR

SYMBOL NO.	INDEX NO.	SYMBOL NO.	INDEX NO.	SYMBOL NO.	INDEX NO.	SYMBOL NO.	INDEX NO.	SYMBOL NO.	INDEX NO.	SYMBOL NO.	INDEX NO.	SYMBOL NO.	INDEX NO.
R111	255	---	---	R131	274	R141	255	R151	299	R161	255	R171	270
R112	297	---	---	R132	274	R142	247	R152	329	---	---	R172	286
---	---	R123	275	R133	274	R143	252	R153	342	R163	270	R173	270
R114	327	R124	274	R134	274	R144	252	R154	279	R164	270	R174	286
---	---	R125	274	R135	252	R145	337	R155	252	R165	252	R175	270
R116	286	R126	274	R136	252	R146	299	R156	252	R166	270	R176	270
R117	255	R127	274	---	---	R147	315	R157	309	R167	270	R177	286
R118	255	R128	274	---	---	R148	272	R158	248	R168	270	R178	255
R119	307	R129	274	---	---	---	---	R159	297	R169	253	---	---
R120	255	R130	274	R140	255	R150	255	R160	255	R170	253	---	---

RESISTOR

SYMBOL NO.	INDEX NO.	SYMBOL NO.	INDEX NO.	SYMBOL NO.	INDEX NO.	SYMBOL NO.	INDEX NO.	SYMBOL NO.	INDEX NO.	SYMBOL NO.	INDEX NO.	SYMBOL NO.	INDEX NO.
---	---	---	---	R201	255	R211	330	R221	286	R231	336	R241	270
R182	297	---	---	R202	297	R212	255	---	---	R232	344	R242	270
R183	256	---	---	R203	297	R213	314	---	---	R233	330	R243	270
R184	270	R194	255	R204	325	R214	255	R224	297	R234	330	R244	274
R185	255	R195	254	---	---	R215	297	R225	313	R235	330	R245	286
R186	255	R196	255	R206	254	R216	330	R226	297	R236	270	R246	274
R187	254	R197	255	---	---	---	---	R227	336	R237	270	R247	286
R188	255	R198	255	R208	297	---	---	---	---	R238	270	R248	274
R189	255	R199	297	R209	336	R219	297	---	---	R239	270	R249	286
R190	297	R200	255	R210	325	R220	336	R230	297	---	---	R250	286

43.Printer Control Board (G130/G131)

RESISTOR

SYMBOL NO.	INDEX NO.	SYMBOL NO.	INDEX NO.	SYMBOL NO.	INDEX NO.	SYMBOL NO.	INDEX NO.	SYMBOL NO.	INDEX NO.	SYMBOL NO.	INDEX NO.	SYMBOL NO.	INDEX NO.
R251	252	R261	298	---	---	R281	292	---	---	R301	276	---	---
R252	252	R262	312	R272	255	R282	270	R292	255	---	---	---	---
R253	270	R263	255	---	---	R283	270	R293	270	---	---	---	---
R254	270	R264	280	R274	264	R284	270	R294	255	R304	270	---	---
R255	270	R265	280	---	---	R285	270	R295	252	R305	255	R315	299
R256	270	R266	264	R276	291	R286	270	R296	252	---	---	R316	270
R257	270	R267	264	R277	294	R287	274	R297	255	---	---	R317	254
R258	270	R268	264	R278	295	---	---	R298	252	---	---	R318	300
R259	252	R269	255	---	---	---	---	---	---	---	---	R319	312
R260	252	---	---	---	---	---	---	R300	252	---	---	R320	270

RESISTOR

SYMBOL NO.	INDEX NO.	SYMBOL NO.	INDEX NO.	SYMBOL NO.	INDEX NO.	SYMBOL NO.	INDEX NO.	SYMBOL NO.	INDEX NO.	SYMBOL NO.	INDEX NO.	SYMBOL NO.	INDEX NO.
R321	255	R331	323	R341	282	R351	270	R361	256	R371	270	R381	311
---	---	R332	297	R342	297	R352	270	R362	256	R372	254	R382	276
R323	255	R333	255	R343	248	R353	270	R363	253	R373	270	R383	253
R324	253	R334	346	R344	256	R354	270	R364	270	R374	254	R384	253
R325	297	R335	258	R345	272	R355	253	R365	256	R375	253	R385	255
---	---	R336	346	R346	254	R356	264	R366	270	R376	270	R386	270
R327	263	R337	299	R347	292	R357	264	R367	262	---	---	R387	255
---	---	R338	255	R348	270	---	---	R368	255	R378	255	R388	255
---	---	R339	255	R349	270	R359	270	R369	320	R379	255	---	---
R330	297	R340	255	R350	270	R360	253	R370	254	R380	310	R390	270

43.Printer Control Board (G130/G131)

RESISTOR

SYMBOL NO.	INDEX NO.	SYMBOL NO.	INDEX NO.	SYMBOL NO.	INDEX NO.	SYMBOL NO.	INDEX NO.	SYMBOL NO.	INDEX NO.	SYMBOL NO.	INDEX NO.	SYMBOL NO.	INDEX NO.
R391	256	---	---	R411	289	---	---	R431	255	R441	256	R451	293
R392	263	R402	270	R412	299	---	---	R432	270	R442	256	R452	296
R393	256	R403	255	R413	255	R423	265	R433	255	---	---	R453	278
---	---	---	---	R414	255	R424	277	R434	255	---	---	---	---
R395	255	R405	297	---	---	---	---	R435	270	R445	255	---	---
---	---	R406	278	---	---	R426	265	R436	255	R446	255	---	---
R397	270	R407	278	R417	273	---	---	R437	270	R447	255	R457	268
R398	297	R408	288	R418	273	R428	255	---	---	R448	255	R458	270
R399	255	R409	288	R419	267	R429	253	R439	270	---	---	R459	281
R400	270	R410	289	---	---	R430	270	R440	255	R450	270	R460	278

RESISTOR

SYMBOL NO.	INDEX NO.	SYMBOL NO.	INDEX NO.	SYMBOL NO.	INDEX NO.	SYMBOL NO.	INDEX NO.	SYMBOL NO.	INDEX NO.	SYMBOL NO.	INDEX NO.	SYMBOL NO.	INDEX NO.
R461	268	R471	284	R481	278	R491	254	---	---	R511	255	R521	255
R462	284	R472	284	R482	308	R492	254	R502	341	R512	270	R522	255
R463	284	R473	284	R483	254	R493	254	R503	345	---	---	R523	264
R464	284	R474	255	R484	254	R494	258	R504	270	R514	264	R524	255
R465	284	---	---	R485	341	R495	254	R505	297	R515	264	R525	264
R466	284	R476	290	R486	313	R496	254	R506	270	R516	264	R526	264
R467	284	R477	321	R487	270	R497	254	R507	297	R517	255	R527	264
R468	284	R478	255	R488	331	R498	341	---	---	---	---	R528	255
---	---	R479	261	R489	313	R499	325	R509	255	R519	328	R529	270
R470	284	R480	260	R490	341	R500	331	---	---	R520	270	R530	270

43.Printer Control Board (G130/G131)

RESISTOR

SYMBOL NO.	INDEX NO.	SYMBOL NO.	INDEX NO.	SYMBOL NO.	INDEX NO.	SYMBOL NO.	INDEX NO.	SYMBOL NO.	INDEX NO.	SYMBOL NO.	INDEX NO.	SYMBOL NO.	INDEX NO.
R531	264	R541	295	R551	252	R561	270	R571	255	---	---	---	---
R532	264	R542	255	R552	255	R562	255	R572	270	R582	276	---	---
R533	264	R543	270	R553	264	R563	255	R573	255	---	---	---	---
R534	264	R544	255	---	---	R564	255	---	---	---	---	---	---
R535	264	R545	270	R555	264	R565	252	---	---	---	---	R595	297
R536	264	R546	270	R556	252	R566	255	---	---	---	---	---	---
R537	264	R547	270	R557	255	R567	255	---	---	R587	255	---	---
R538	264	R548	270	R558	252	R568	255	---	---	---	---	---	---
---	---	---	---	R559	252	---	---	---	---	R589	255	R599	286
---	---	R550	252	R560	252	R570	276	---	---	---	---	---	---

RESISTOR

SYMBOL NO.	INDEX NO.	SYMBOL NO.	INDEX NO.	SYMBOL NO.	INDEX NO.	SYMBOL NO.	INDEX NO.	SYMBOL NO.	INDEX NO.	SYMBOL NO.	INDEX NO.	SYMBOL NO.	INDEX NO.
---	---	R611	318	R621	286	R631	316	R641	308	R651	322	R661	264
---	---	---	---	R622	286	R632	341	R642	339	R652	297	R662	252
---	---	R613	254	R623	266	R633	341	R643	298	R653	319	R663	275
---	---	R614	302	R624	286	R634	255	R644	308	R654	317	R664	265
---	---	R615	349	R625	286	R635	255	R645	298	R655	332	R665	297
R606	338	R616	261	R626	286	R636	331	R646	348	R656	322	R666	265
R607	301	---	---	R627	286	R637	325	R647	348	R657	264	---	---
R608	303	R618	308	R628	286	R638	325	R648	298	R658	264	---	---
R609	260	R619	298	R629	286	R639	286	---	---	R659	264	---	---
R610	260	R620	338	R630	286	R640	340	R650	334	R660	264	---	---

43.Printer Control Board (G130/G131)

RESISTOR

SYMBOL NO.	INDEX NO.	SYMBOL NO.	INDEX NO.	SYMBOL NO.	INDEX NO.	SYMBOL NO.	INDEX NO.	SYMBOL NO.	INDEX NO.	SYMBOL NO.	INDEX NO.	SYMBOL NO.	INDEX NO.
---	---	R681	270	R691	252	R701	270	---	---	---	---	R731	270
---	---	R682	255	---	---	R702	286	---	---	---	---	R732	286
R673	297	R683	255	R693	270	R703	286	R713	255	R723	252	R733	280
R674	276	R684	270	R694	270	---	---	---	---	R724	255	---	---
---	---	R685	270	R695	270	---	---	R715	255	---	---	---	---
---	---	R686	306	R696	255	R706	286	---	---	---	---	R736	271
R677	276	---	---	---	---	R707	255	---	---	R727	270	---	---
R678	255	R688	255	R698	274	---	---	R718	270	R728	270	R738	343
R679	255	R689	286	R699	270	R709	252	---	---	R729	270	---	---
R680	270	R690	286	R700	270	R710	286	R720	255	R730	270	R740	270

RESISTOR

SYMBOL NO.	INDEX NO.	SYMBOL NO.	INDEX NO.	SYMBOL NO.	INDEX NO.	SYMBOL NO.	INDEX NO.	SYMBOL NO.	INDEX NO.	SYMBOL NO.	INDEX NO.	SYMBOL NO.	INDEX NO.
---	---	---	---	R761	340	R771	255	R781	255	---	---	R801	255
---	---	R752	274	---	---	---	---	R782	276	R792	283	---	---
R743	286	---	---	R763	252	---	---	R783	286	R793	286	R803	304
---	---	R754	274	---	---	R774	255	R784	255	R794	286	---	---
R745	286	---	---	---	---	R775	270	R785	286	R795	286	R805	274
---	---	R756	274	R766	287	R776	255	R786	286	R796	283	R806	255
R747	286	---	---	R767	255	R777	255	R787	286	R797	283	R807	255
R748	286	R758	274	R768	255	R778	255	R788	283	R798	286	R808	276
---	---	---	---	R769	286	R779	255	R789	255	R799	280	R809	322
---	---	R760	274	R770	276	R780	255	R790	255	R800	298	R810	286

43.Printer Control Board (G130/G131)

RESISTOR

SYMBOL NO.	INDEX NO.	SYMBOL NO.	INDEX NO.	SYMBOL NO.	INDEX NO.	SYMBOL NO.	INDEX NO.	SYMBOL NO.	INDEX NO.	SYMBOL NO.	INDEX NO.	SYMBOL NO.	INDEX NO.
---	---	R821	326	R831	274	R841	274	R851	305	R861	255	R871	276
R812	322	R822	255	R832	274	R842	256	R852	259	R862	255	R872	255
---	---	R823	261	R833	274	R843	255	R853	255	R863	281	---	---
R814	297	R824	270	R834	274	R844	324	R854	276	---	---	R874	255
R815	297	R825	270	R835	274	R845	305	R855	281	R865	255	R875	299
R816	322	R826	297	R836	274	R846	324	R856	279	R866	255	R876	256
R817	322	R827	265	R837	274	R847	274	R857	281	R867	255	R877	276
R818	254	R828	274	R838	252	R848	286	R858	252	R868	255	R878	335
R819	276	R829	274	R839	274	R849	269	R859	255	---	---	R879	348
R820	333	R830	274	R840	252	R850	265	R860	255	R870	255	R880	348

RESISTOR

SYMBOL NO.	INDEX NO.	SYMBOL NO.	INDEX NO.	SYMBOL NO.	INDEX NO.	SYMBOL NO.	INDEX NO.	SYMBOL NO.	INDEX NO.	SYMBOL NO.	INDEX NO.
R881	348	---	---	R901	274	R911	286	---	---	R931	264
R882	299	R892	255	R902	283	R912	274	R922	270	R932	264
---	---	R893	283	R903	256	R913	274	R923	254	R933	256
---	---	R894	255	---	---	R914	299	R924	255	R934	256
---	---	R895	254	R905	270	R915	256	R925	256	---	---
R886	286	R896	298	R906	255	R916	347	R926	286	R936	255
R887	286	R897	285	---	---	R917	256	R927	255	R937	255
---	---	R898	283	R908	255	R918	270	R928	255		
---	---	R899	283	R909	270	---	---	R929	255		
---	---	R900	255	R910	255	---	---	R930	255		

REG

SYMBOL NO.	INDEX NO.
REG1	176
REG2	169

43.Printer Control Board (G130/G131)

RN

SYMBOL NO.	INDEX NO.	SYMBOL NO.	INDEX NO.	SYMBOL NO.	INDEX NO.	SYMBOL NO.	INDEX NO.	SYMBOL NO.	INDEX NO.	SYMBOL NO.	INDEX NO.	SYMBOL NO.	INDEX NO.
RN1	244	RN11	183	RN21	246	RN31	185	RN41	186	RN51	187	RN61	246
---	---	RN12	183	RN22	246	RN32	185	RN42	186	RN52	187	RN62	246
---	---	RN13	183	RN23	245	RN33	185	RN43	186	RN53	187	RN63	246
RN4	244	RN14	183	RN24	245	RN34	185	RN44	186	RN54	187	RN64	246
---	---	RN15	246	RN25	184	RN35	185	RN45	186	RN55	187	RN65	246
RN6	183	RN16	188	RN26	245	RN36	185	RN46	186	RN56	187	RN66	246
RN7	183	RN17	188	RN27	245	RN37	186	RN47	186	RN57	187	RN67	246
RN8	183	RN18	244	RN28	185	RN38	186	RN48	186	RN58	187	RN68	246
RN9	183	RN19	246	RN29	185	RN39	186	RN49	185	RN59	187	RN69	246
RN10	183	RN20	246	RN30	185	RN40	186	RN50	185	RN60	243	RN70	246

RN

SYMBOL NO.	INDEX NO.
RN71	243
RN72	246

SW

SYMBOL NO.	INDEX NO.
SW1	115
---	---
SW3	114
---	---
---	---
---	---
SW7	114

43.Printer Control Board (G130/G131)

Index No.	Part No.	Description	Q'ty Per Assembly
*	G131 5700	PCB:Control	
1	B180 5660	ASIC:SHAKER4	1
2	G131 5890	ASIC:CASTANETS	1
3	G131 5925	IC:BIOS:TYPE-BX2	1

Index No.	Part No.	Description	Q'ty Per Assembly
101	1102 5303	Connector - 4P	
102	1102 6295	Connector - 2P	
103	1102 7615	Connector - B8B-XH-A	
104	1102 8329	Connector - Usb - UBB-4R-D14C	
105	1102 8832	Connector - DM-3D4-B3210	
106	1102 9079	Connector - RHM-88PL-SDK11-1	
107	1102 9336	Connector:Fps009-2300-0	
108	1102 9535	Connector - 200PS-JUK-G-B	
109	1102 9689	Connector 2-440091-4	
110	1102 9887	Connector:52588-3090	
111	1102 9890	Connector:5-1605706-2	
112	1104 0764	IC Socket - 8 PIN	
113	1107 1095	Fuse - Sst 2	
114	1204 1385	Push Switch	
115	1204 1543	DIP Switch	
116	1206 0080	Primary Lithium Cell:Cr2354/1hf	
117	1400 0714	Transistor - 2SD1781KR	
118	1400 0715	Transistor - 2SB1197KR	
119	1400 0730	Transistor - 2SD1782K	
120	1400 0769	Transistor - 2SA1576A	
121	1400 0775	Transistor - 2SC4081	
122	1400 0810	Transistor:Dtc114eua	
123	1400 0981	Transistor - 2SC3052	
124	1401 0902	Fet:2sk1590	
125	1401 1181	Fet - 2sk2157-az	
126	1401 1209	IC - HAT2093R	
127	1401 1228	Fet:Si3433dv-e3	
128	1401 1234	Fet - Ssm3j02t	
129	1401 1296	Fet:Tpc8115	
130	1401 1317	Fet - Hat2197r	
131	1401 1318	Fet - Hat2198r	
132	1401 1320	Fet - Tpc8107	
133	1402 1336	Diode - 1SS355	
134	1402 1398	Diode - RB050L-40	
135	1402 1530	Diode - RB520S-30	

Index No.	Part No.	Description	Q'ty Per Assembly
136	1402 1698	Diode - RB	
137	1402 1709	Diode:Ec21qs06g	
138	1403 0953	LED - SML-310MT	
139	1403 0996	LED - SML-310VT	
140	1407 4919	IC - 74VHCT244 TSSOP	
141	1407 5140	IC:Tc74vhct14af	
142	1407 5300	CMOS Logic - 74LVC16244A TSSOP	
143	1407 5352	IC - 74LVC32A TSSOP	
144	1407 5369	IC - SN74AHCT32PW	
145	1407 5439	CMOS Logic:Sn74ahc2g66hdct	
146	1407 5482	IC - SN74LVC07APW	
147	1407 5508	IC - SN74LV125APW	
148	1407 5523	Rom - I2c Sop 3v	
149	1407 5604	IC - SN74LVC16245ADGG	
150	1407 5640	CMOS Logic:Sn74ahc1g14hdck	
151	1407 5684	CMOS Logic - SN74AHC1G08HDCK	
152	1407 5790	CMOS Logic - SN74AHC2G08HDCU	
153	1407 5868	Ethernet Cont Lsi - Dp83847alqa56a	
154	1407 5927	CMOS Logic - SN74LVC1G14DCK	
155	1407 6080	CMOS Logic:Sn74lvc2g04dck	
156	1407 6101	IC - SN74LVC2G17DCK	
157	1407 6126	Clock Generator - ICS950812CG	
158	1407 6127	Clock Generator:lcs960008aff	
159	1407 6187	CMOS Logic - SN74LVC1G07DCK	
160	1407 6203	CMOS Logic - SN74LVC3G07DCT	
161	1407 6204	CMOS Logic:Sn74lvc2g07dck	
162	1407 6205	CMOS Logic - SN74LVC1G06DCK	
163	1407 6245	CMOS Logic - SN74CBTLV3253PW	
164	1407 6248	Eeprom - M24256-bwmn6	
165	1407 6278	Ich3 - Nh82801cam(sl7a7)	
166	1407 6279	Gmch - Nh82830mp(sl7a6)	
167	1407 6335	CMOS Logic:Sn74lvc1g17dck	
168	1407 6489	CPU:NK80530MZ733256(SL7UH)	
169	1408 1640	Series Regulator - Pq070xh02z	
170	1408 1778	IC:R3112q101a	

Index No.	Part No.	Description	Q'ty Per Assembly
171	1408 1779	IC - R3112Q281A	
172	1408 1815	IC - R3112Q151A	
173	1408 1825	IC - R3112Q121A	
174	1408 1826	IC - R3112Q421A	
175	1408 1956	IC:Ltc3728lxcuh#trpbf	
176	1408 2014	Series Regulator - Pq015ez01zph	
177	1408 2057	IC - LTC3714EG#TRPBF	
178	1503 0773	Crystal Oscillator:32.768khz:7pF	
179	1503 0842	Oscillator - 14.31818MHZ	
180	1503 0947	Crystal Oscillator:25mhz	
181	1503 1181	Crystal Oscillator:30mhz	
182	1503 1239	Crystal Oscillator:25mhz	
183	1601 7759	Resistor Array - 100K Ω \pm 5% 0.06	
184	1601 7781	Resistor - 10 Ω \pm 5%	
185	1601 7898	Resistor Array	
186	1601 7909	Resistor Array - 10 Ω \pm 5% 1/32W	
187	1601 7914	Resistor Array - 47 Ω \pm 5%	
188	1601 7994	Resistor Array :8.2K Ω : \pm 5%:1/16W:	
189	1604 4728	Capacitor - 100 μ F \pm 20% 16V	
190	1604 5357	Resistor - 560 μ F \pm 20% 4V	
191	1605 0976	Capacitor - 1 μ F+80% -20% 10V	
192	1605 1034	Ceramic Capacitor:1000pF: \pm 10%:50v	
193	1605 1095	Capacitor:180pF: \pm 5%:25v	
194	1605 1124	Capacitor - 4.7 μ F+80 -20% 10V	
195	1605 1165	Capacitor:680pF: \pm 5%:50v	
196	1605 1176	Ceramic Capacitor 0.47 μ F+80-20%16v	
197	1605 1194	Capacitor:3pf: \pm 0.25pF:50v	
198	1605 1196	Capacitor - 5PF: \pm 0.25pF:50V	
199	1605 1197	Capacitor - 6PF \pm 0.5pF 50V	
200	1605 1200	Capacitor - 10PF \pm 0.5pF 50V	
201	1605 1204	Capacitor-pF50v	
202	1605 1205	Capacitor - 33pF \pm 5% 50V	
203	1605 1206	Capacitor - 47pF \pm 5% 50V	
204	1605 1207	Capacitor - 68pF \pm 5% 50V	
205	1605 1208	Capacitor:100pF: \pm 5%:50v	

Index No.	Part No.	Description	Q'ty Per Assembly
206	1605 1209	Capacitor - 150pF ±5% 50V	
207	1605 1210	Capacitor:180pF:±5%:50v	
208	1605 1211	Capacitor - 220pF ±10% 50V	
209	1605 1212	Capacitor - 470pF ±10% 50V	
210	1605 1214	Capacitor - 1000pF ±10% 50V	
211	1605 1216	Capacitor - 2200pF±10%50V	
212	1605 1221	Capacitor - 0.1 UF+80-20%16V	
213	1605 1225	Capacitor:0.1UF:±10%:50V	
214	1605 1234	Capacitor:4700pF: ± 10%:50V	
215	1605 1240	Capacitor - 0.01μF±10% 25V	
216	1605 1249	Capacitor:0.047uf:±10%:16v	
217	1605 1275	Capacitor - 820pF ±5% 50V	
218	1605 1281	Capacitor - 0.22μF±10% 16V	
219	1605 1282	Capacitor:22uf:+80-20%:10v	
220	1605 1283	Capacitor - 680pF ±10% 50V	
221	1605 1284	Capacitor:1500pF:±10%:50v	
222	1605 1288	Capacitor - 220pF ±5% 50V	
223	1605 1289	Capacitor - 0.1μF±10% 10V	
224	1605 1295	Capacitor:10uf:+80-20%:10v	
225	1605 1296	Capacitor - 330pF ±10% 50V	
226	1605 1303	Capacitor - 0.01μF+80-20% 50V	
227	1605 1306	Capacitor - 1μF±10% 10V	
228	1605 1352	Resistor - 82pF ±5% 50V	
229	1605 1353	Capacitor - 0.1μF±10% 25V	
230	1605 1354	Capacitor:1200pF:±5%:50v	
231	1605 1417	Capacitor:47uf:+80-20%:10v	
232	1605 1432	Resistor - 100μF±20% 6.3V	
233	1605 1450	Resistor - 22μF±10% 6.3V	
234	1605 1496	Resistor:10UF:+80-20%:35V	
235	1607 0978	Inductor - Blm21p300spb	
236	1607 1051	Filter -fbmj2125hs420	
237	1607 1316	Filter - FBMJ1608HS280NT	
238	1607 1322	Inductor:Lb2012b4r7m	
239	1607 1362	Coil - ACM3225-800-2P	
240	1607 1489	Filter - MMZ1608B301C	

Index No.	Part No.	Description	Q'ty Per Assembly
241	1607 1556	Inductor:Rlf7030-1r5n6r1	
242	1607 1657	Inductor - Hm73-10r68lf	
243	1609 0006	Resistor:10k Ω:±5%:1/16w	
244	1609 0007	Resistor - 68Ω ±5% 1/16W	
245	1609 0020	Resistor:10 Ω:±5%:1/16w	
246	1609 0026	Resistor - 47Ω ±5% 1/16W	
247	1610 1733	Resistor - 0.01 Ω ±1% 1W	
248	1610 1805	Resistor - 0.003 Ω ±2% 1W	
249	1632 0000	Resistor - 0 Ω 1/8W	
250	1633 0000	Resistor - 0 Ω 1/10W	
251	1634 0000	Resistor - 0 Ω 1/16W	
252	1650 5100	Chip Resistor - 10 Ω±5%1/16w	
253	1650 5101	Chip Resistor - 100 Ω±5%1/16w	
254	1650 5102	Chip Resistor - 1kΩ±5%1/16w	
255	1650 5103	Chip Resistor - 10kΩ±5%1/16w	
256	1650 5104	Chip Resistor - 100kΩ±5%1/16w	
257	1650 5106	Resistor - 10M Ω ±5% 1/16W	
258	1650 5109	Chip Resistor 1Ω ±5% 1/16w	
259	1650 5131	Resistor - 130Ω ±5% 1/16W	
260	1650 5151	Resistor - 150Ω ±5% 1/16W	
261	1650 5152	Chip Resistor:1.5kΩ:±5%:1/16w	
262	1650 5202	Chip Resistor:2kΩ:±5%:1/16w	
263	1650 5204	Chip Resistor - 200kΩ±5%1/16w	
264	1650 5220	Resistor - 22Ω ±5% 1/16W	
265	1650 5221	Chip Resistor - 220Ω±5%1/16w	
266	1650 5222	Resistor - 2.2KΩ ±5% 1/16W	
267	1650 5241	Resistor - 240 Ω ±5% 1/16W	
268	1650 5271	Chip Resistor 270Ω ±5% 1/16w	
269	1650 5272	Chip Resistor:2.7kΩ ±5%:1/16W:1005	
270	1650 5330	Chip Resistor - 33Ω±5%1/16w	
271	1650 5331	Resistor - 330Ω ±5% 1/16W	
272	1650 5332	Resistor - 3.3KΩ ±5% 1/16W	
273	1650 5390	Resistor - 39Ω ±5% 1/16W	
274	1650 5470	Chip Resistor 47Ω ±5% 1/16w	
275	1650 5471	Chip Resistor - 470Ω -5% 1/16w	

Index No.	Part No.	Description	Q'ty Per Assembly
276	1650 5472	Chip Resistor:4.7kΩ±5%:1/16w	
277	1650 5511	Resistor - 510Ω ±5% 1/16W	
278	1650 5512	Chip Resistor 5.1kΩ ±5% 1/16w	
279	1650 5514	Chip Resistor:510kΩ:±5%:1/16w	
280	1650 5560	Chip Resistor 56Ω ±5% 1/16w	
281	1650 5563	Resistor - 56KΩ ±5% 1/16W	
282	1650 5569	Resistor - 5.6Ω ±5% 1/16W	
283	1650 5680	Resistor - 68Ω ±5% 1/16W	
284	1650 5681	Chip Resistor:680Ω:±5%:1/16w	
285	1650 5683	Chip Resistor 68kΩ ±5% 1/16w	
286	1650 5822	Chip Resistor:8.2kΩ:±5%:1/16w	
287	1650 5823	Chip Resistor:82kΩ:±5%:1/16w	
288	1653 4999	Resistor - 49.9Ω ±1% 1/8W	
289	1653 5499	Resistor - 54.9Ω ±1% 1/8W	
290	1654 1001	Resistor - 1KΩ±1%1/10W	
291	1654 1004	Chip Resistor - 1mΩ ±1% 1/10w	
292	1654 1501	Resistor - 1.5K Ω ±1% 1/10W 1608	
293	1654 1502	Resistor - 15KΩ±1% 1/10W	
294	1654 3300	Chip Resistor:330Ω:±1%:1/10w	
295	1654 3609	Resistor - 36Ω±1%1/10W	
296	1654 8201	Resistor - 8.2KΩ ±1% 1/10W	
297	1655 0000	Chip Resistor - 0Ω±0%1/16w	
298	1655 1001	Chip Resistor - 1kΩ ±1% 1/16w	
299	1655 1002	Chip Resistor - 10kΩ±1%1/16w	
300	1655 1009	Resistor - 10Ω ±1% 1/16W	
301	1655 1100	Resistor - 110Ω ±1% 1/16W	
302	1655 1370	Resistor - 137Ω ±1% 1/16W	
303	1655 1409	Resistor - 14Ω ±1% 1/16W	
304	1655 1502	Resistor - 15KΩ ±1% 1/16W	
305	1655 1509	Resistor - 15Ω ±1% 1/16W	
306	1655 1800	Chip Resistor:180Ω:±1%:1/16w	
307	1655 1829	Resistor - 18.2Ω ±1% 1/16W	
308	1655 2001	Resistor - 2KΩ ±1% 1/16W	
309	1655 2002	Chip Resistor - 20kΩ±1%1/16w	
310	1655 2003	Chip Resistor - 200kΩ±1%1/16w	

Index No.	Part No.	Description	Q'ty Per Assembly
311	1655 2052	Resistor - 20.5KΩ ±1% 1/16W	
312	1655 2200	Resistor - 220Ω ±1% 1/16W	
313	1655 2209	Resistor - 22Ω ±1% 1/16W	
314	1655 2210	Resistor - 221Ω ±1% 1/16W	
315	1655 2401	Resistor - 2.4KΩ ±1% 1/16W	
316	1655 2433	Resistor - 243KΩ ±1% 1/16W	
317	1655 2490	Resistor - 249Ω ±1% 1/16W	
318	1655 2679	Resistor - 26.7Ω ±1% 1/16W	
319	1655 2749	Resistor - 27.4Ω ±1% 1/16W	
320	1655 2803	Resistor - 280KΩ ±1% 1/16W	
321	1655 3000	Chip Resistor:300Ω:±1%:1/16w	
322	1655 3010	Resistor - 301Ω ±1% 1/16W	
323	1655 3303	Resistor - 330KΩ ±1% 1/16W	
324	1655 3309	Resistor - 33Ω ±1% 1/16W	
325	1655 3329	Resistor - 33.2Ω ±1% 1/16W	
326	1655 3480	Resistor - 348Ω ±1% 1/16W	
327	1655 3659	Resistor - 36.5Ω ±1% 1/16W	
328	1655 3900	Resistor:390 Ω:±1%:1/16w	
329	1655 4321	Resistor:4.32k Ω:±1%:1/16w	
330	1655 4709	Resistor - 47Ω ±1% 1/16W	
331	1655 4750	Resistor - 475Ω ±1% 1/16W	
332	1655 4999	Resistor - 49.9Ω ±1% 1/16W	
333	1655 5119	Resistor - 51.1Ω ±1% 1/16W	
334	1655 5499	Resistor - 54.9Ω ±1% 1/16W	
335	1655 5601	Resistor - 5.6KΩ ±1% 1/16W	
336	1655 5609	Resistor - 56Ω ±1% 1/16W	
337	1655 5621	Resistor - 5.62KΩ ±1% 1/16W	
338	1655 5629	Resistor - 56.2Ω ±1% 1/16W	
339	1655 5760	Resistor - 576Ω ±1% 1/16W	
340	1655 6049	Resistor - 60.4Ω ±1% 1/16W	
341	1655 6199	Resistor - 61.9Ω ±1% 1/16W	
342	1655 6342	Resistor:63.4k Ω:±1%:1/16w	
343	1655 6809	Chip Resistor - 68Ω±1%1/16w	
344	1655 7509	Chip Resistor:75Ω:±1%:1/16W	
345	1655 8062	Resistor - 80.6KΩ ±1% 1/16W	

Index No.	Part No.	Description	Q'ty Per Assembly
346	1655 8063	Resistor - 806K Ω \pm 1% 1/16W	
347	1655 8202	Resistor - 82K Ω \pm 1% 1/16W	
348	1655 8209	Resistor - 82 Ω \pm 1% 1/16W	
349	1655 9100	Resistor - 910 Ω \pm 1% 1/16W	
350	1660 2121	Capacitor - 120pF \pm 5% 50V	
351	1660 8104	Capacitor - 0.1 μ F+80-20% 25V	
352	1906 0068	FIRMWARE HUB:M50FW080N5G	

Index No.	Part No.	Description	Q'ty Per Assembly

44.BCU Board (G130/G131)

CAPACITOR

SYMBOL NO.	INDEX NO.	SYMBOL NO.	INDEX NO.	SYMBOL NO.	INDEX NO.	SYMBOL NO.	INDEX NO.	SYMBOL NO.	INDEX NO.	SYMBOL NO.	INDEX NO.	SYMBOL NO.	INDEX NO.
C1	194	C11	284	C21	197	C31	288	C41	202	---	---	---	---
C2	194	C12	202	---	---	C32	288	---	---	C62	199	---	---
C3	194	C13	195	---	---	C33	197	C53	199	---	---	C73	195
C4	288	C14	202	C24	197	C34	283	---	---	C64	202	C74	202
C5	191	---	---	C25	197	C35	283	---	---	---	---	C75	192
C6	189	---	---	C26	202	C36	192	---	---	---	---	C76	197
---	---	---	---	C27	199	C37	288	C57	199	---	---	---	---
C8	192	---	---	C28	281	C38	283	C58	197	---	---	C78	197
C9	284	---	---	C29	197	C39	202	---	---	---	---	C79	288
C10	288	C20	197	C30	197	---	---	---	---	---	---	C80	197

CAPACITOR

SYMBOL NO.	INDEX NO.	SYMBOL NO.	INDEX NO.	SYMBOL NO.	INDEX NO.	SYMBOL NO.	INDEX NO.	SYMBOL NO.	INDEX NO.	SYMBOL NO.	INDEX NO.	SYMBOL NO.	INDEX NO.
C81	197	C91	278	---	---	C111	192	C121	283	---	---	C141	197
C82	197	C92	279	---	---	---	---	C122	282	C132	197	C142	288
C83	288	---	---	---	---	C113	284	C123	197	C133	284	C143	286
C84	197	---	---	C104	199	C114	284	C124	276	---	---	C144	190
C85	197	C95	197	C105	209	C115	197	C125	197	C135	284	C145	286
C86	283	C96	202	C106	204	---	---	C126	283	C136	276	C146	197
C87	283	---	---	---	---	---	---	C127	204	C137	197	C147	196
C88	283	---	---	---	---	---	---	C128	198	C138	197	C148	196
C89	283	---	---	---	---	C119	197	C129	192	C139	288	C149	197
C90	197	---	---	C110	202	C120	283	C130	193	---	---	C150	197

44.BCU Board (G130/G131)

CAPACITOR

SYMBOL NO.	INDEX NO.	SYMBOL NO.	INDEX NO.	SYMBOL NO.	INDEX NO.	SYMBOL NO.	INDEX NO.	SYMBOL NO.	INDEX NO.	SYMBOL NO.	INDEX NO.	SYMBOL NO.	INDEX NO.
C151	284	C161	279	C171	197	C181	288	---	---	C201	207	C211	287
C152	284	C162	279	C172	197	C182	288	C192	288	C202	206	C212	287
---	---	C163	197	C173	197	C183	277	C193	189	C203	189	C213	193
---	---	C164	285	C174	197	C184	280	C194	287	C204	207	C214	284
---	---	C165	198	C175	288	C185	288	C195	197	C205	206	C215	284
C156	283	C166	276	C176	288	C186	282	C196	197	C206	189	---	---
C157	197	C167	197	C177	288	C187	282	C197	197	C207	197	C217	197
C158	197	C168	197	C178	288	C188	197	C198	197	C208	197	C218	201
C159	283	C169	197	C179	288	---	---	C199	206	C209	197	C219	205
C160	283	C170	197	C180	288	C190	197	C200	207	C210	197	C220	205

CAPACITOR

SYMBOL NO.	INDEX NO.	SYMBOL NO.	INDEX NO.	SYMBOL NO.	INDEX NO.	SYMBOL NO.	INDEX NO.	SYMBOL NO.	INDEX NO.	SYMBOL NO.	INDEX NO.	SYMBOL NO.	INDEX NO.
C221	205	C231	201	C241	197	C501	208	C511	284	C521	284	C531	288
C222	205	C232	201	C242	202	C502	208	C512	284	C522	284	C532	288
C223	205	C233	201	C243	202	C503	208	C513	284	C523	288	C533	288
C224	205	C234	201	C244	202	---	---	C514	284	C524	197	C534	288
---	---	C235	201	C245	202	C505	208	C515	197	C525	288	C535	288
---	---	C236	201	C246	202	C506	208	C516	288	C526	197	C536	288
C227	205	C237	201	C247	202	C507	288	C517	288	C527	288	C537	288
C228	205	C238	201	C248	202	C508	197	C518	288	C528	284	C538	288
C229	201	C239	201	C249	288	C509	284	C519	288	C529	288	C539	197
C230	201	C240	202	---	---	C510	197	C520	197	C530	288	---	---

44.BCU Board (G130/G131)

CAPACITOR

SYMBOL NO.	INDEX NO.	SYMBOL NO.	INDEX NO.	SYMBOL NO.	INDEX NO.	SYMBOL NO.	INDEX NO.	SYMBOL NO.	INDEX NO.	SYMBOL NO.	INDEX NO.	SYMBOL NO.	INDEX NO.
C541	288	C551	288	C561	197	C571	288	C581	284	C591	197	C601	284
C542	288	C552	288	C562	284	C572	288	C582	197	C592	284	---	---
C543	288	C553	288	C563	284	C573	288	C583	285	C593	197	---	---
C544	288	C554	288	C564	197	C574	288	C584	284	C594	284	C604	284
C545	288	C555	288	C565	197	C575	288	C585	284	C595	285	C605	197
C546	288	C556	288	C566	284	---	---	C586	284	C596	197	C606	197
C547	197	C557	288	C567	197	C577	288	C587	284	C597	284	C607	284
C548	288	C558	288	C568	197	C578	284	C588	286	C598	197	C608	197
C549	284	C559	288	C569	284	C579	197	C589	286	C599	284	C609	197
C550	288	C560	288	C570	284	---	---	C590	197	C600	197	C610	284

CAPACITOR

SYMBOL NO.	INDEX NO.	SYMBOL NO.	INDEX NO.	SYMBOL NO.	INDEX NO.	SYMBOL NO.	INDEX NO.	SYMBOL NO.	INDEX NO.	SYMBOL NO.	INDEX NO.	SYMBOL NO.	INDEX NO.
C611	197	C621	284	C631	284	C641	284	C651	197	C661	285	C671	284
C612	284	C622	284	C632	197	C642	197	---	---	C662	197	C672	284
C613	197	C623	197	C633	284	C643	197	C653	197	C663	284	C673	284
C614	284	C624	197	C634	197	C644	197	C654	284	C664	284	C674	284
C615	197	C625	197	C635	198	C645	197	C655	197	C665	197	C675	197
C616	284	C626	284	C636	197	C646	284	C656	284	C666	197	---	---
C617	284	C627	284	C637	285	C647	197	C657	284	C667	197	C677	197
C618	197	C628	197	C638	197	C648	197	C658	284	C668	284	C678	197
C619	284	C629	285	C639	284	C649	284	C659	197	C669	284	C679	288
C620	197	C630	197	C640	197	C650	288	C660	285	C670	197	C680	288

44.BCU Board (G130/G131)

CAPACITOR

SYMBOL NO.	INDEX NO.	SYMBOL NO.	INDEX NO.	SYMBOL NO.	INDEX NO.	SYMBOL NO.	INDEX NO.	SYMBOL NO.	INDEX NO.	SYMBOL NO.	INDEX NO.
C681	288	C691	283	---	---	C711	202	C721	202	---	---
C682	288	C692	285	C702	197	C712	202	C722	200	C732	283
C683	288	---	---	---	---	C713	204	---	---	C733	283
C684	288	C694	204	C704	202	C714	204	---	---	C734	283
C685	288	C695	202	C705	202	C715	204	---	---	C735	283
C686	288	C696	202	C706	202	C716	204	C726	202	---	---
C687	288	---	---	C707	204	C717	204	---	---	---	---
C688	288	C698	288	C708	200	C718	202	---	---	C738	202
C689	197	---	---	C709	202	C719	202	C729	202	---	---
C690	283	---	---	C710	200	C720	202	C730	197	C740	199
										C741	199
										C742	199
										C743	199
										---	---
										C745	284
										C746	201
										C747	201
										C748	201
										C749	201
										C750	202

CAPACITOR

SYMBOL NO.	INDEX NO.	SYMBOL NO.	INDEX NO.	SYMBOL NO.	INDEX NO.
C751	202	C761	202	C771	204
C752	202	C762	202	C772	202
C753	202	C763	202	C773	202
C754	200	C764	204	C774	204
C755	204	C765	202	C775	204
C756	204	C766	209	C776	202
C757	202	C767	202	C777	202
C758	202	C768	209	C778	202
C759	202	C769	202	C779	202
C760	202	C770	202	C780	202

CONNECTOR

SYMBOL NO.	INDEX NO.	SYMBOL NO.	INDEX NO.	SYMBOL NO.	INDEX NO.
C781	202	CN201	109	CN211	108
C782	202	CN202	106	CN212	116
C783	203	CN203	108	CN213	113
C784	202	CN204	119	CN214	101
C785	204	CN205	115	CN215	111
C786	204	CN206	117	CN216	106
C787	209	CN207	112	CN217	121
		CN208	120	CN218	114
		CN209	121	CN219	102
		CN210	115	CN220	118
				---	---
				---	---
				CN223	121
				CN224	122
				CN225	123
				---	---
				CN227	107
				CN228	110
				CN229	104
				CN230	103

44.BCU Board (G130/G131)

CAPACITOR

SYMBOL NO.	INDEX NO.
CN231	101
CN232	105

DIODE

SYMBOL NO.	INDEX NO.
D1	137
---	---
D3	137
D4	137
D5	137
D6	137
D7	137
D8	137
D9	137
---	---

DA

SYMBOL NO.	INDEX NO.
D501	137
---	---
D503	137
D504	137

SYMBOL NO.	INDEX NO.
DA1	134
---	---
DA3	135
DA4	135
DA5	134
DA6	135
DA7	134
DA8	134
DA9	136
DA10	136

FILTER

SYMBOL NO.	INDEX NO.
DA501	134

SYMBOL NO.	INDEX NO.
FIL1	188
FIL2	210
FIL3	210
FIL4	210
FIL5	210
FIL6	210
FIL7	210
FIL8	210
FIL9	210

FUSE

SYMBOL NO.	INDEX NO.
FU1	126
FU2	125
FU3	126

IC

SYMBOL NO.	INDEX NO.
IC1	168
IC2	168
IC3	168
IC4	155
IC5	155
IC6	170
IC7	145
IC8	151
IC9	155
IC10	148

SYMBOL NO.	INDEX NO.
IC11	155
IC12	155
IC13	173
IC14	155
IC15	2
IC16	157
IC17	156
IC18	154
IC19	145
---	---

SYMBOL NO.	INDEX NO.
IC21	154
IC22	173
IC23	158
IC24	151
IC25	155
IC26	161
IC27	4
IC28	150
IC29	154
IC30	151

SYMBOL NO.	INDEX NO.
IC31	158
IC32	154
IC33	124
IC34	152
IC35	171
IC36	3
IC37	153
IC38	159
IC39	166
IC40	173

SYMBOL NO.	INDEX NO.
IC41	1
IC42	147
IC43	149
IC44	151
IC45	151
IC46	289
IC47	289
IC48	160
IC49	160
---	---

SYMBOL NO.	INDEX NO.
IC51	145
IC52	169
IC53	173
IC54	171
IC55	162
IC56	162
IC57	162
IC58	162
IC59	160
IC500	145

SYMBOL NO.	INDEX NO.
IC501	153
IC502	172
---	---
IC504	147

44.BCU Board (G130/G131)

JP

SYMBOL NO.	INDEX NO.
JP1	271
---	---
JP3	271
JP4	247
JP5	223
---	---
JP7	223
JP8	223
JP9	223
JP10	223

SYMBOL NO.	INDEX NO.
JP11	223
---	---
JP13	223
JP14	222
JP15	223
---	---
JP16	223
---	---
JP18	223
JP19	223
---	---

SYMBOL NO.	INDEX NO.
---	---
---	---
---	---
JP24	223
JP25	223
---	---
---	---
---	---
---	---
JP500	223

SYMBOL NO.	INDEX NO.
JP501	223
JP502	223
JP503	223
JP504	223
JP505	271
---	---
JP506	271

L

SYMBOL NO.	INDEX NO.
L1	212
---	---
L3	211
---	---
L5	211

LED

SYMBOL NO.	INDEX NO.
LED1	143
LED2	142
LED3	141

OSC

SYMBOL NO.	INDEX NO.
OSC1	178
OSC2	175
OSC3	179
OSC4	177
OSC5	180
---	---
OSC6	176

Q

SYMBOL NO.	INDEX NO.
Q1	131
---	---
---	---
Q4	164
Q5	164
---	---
Q6	131
Q7	130
Q8	130
Q9	130
Q10	128

SYMBOL NO.	INDEX NO.
Q11	128
Q12	128
---	---
Q14	133
---	---
---	---
Q16	128
Q17	130
Q18	131
Q19	129
Q20	132

SYMBOL NO.	INDEX NO.
Q21	146
Q22	146
Q23	146
Q24	146
Q25	146
---	---
---	---
Q26	146
Q27	144
Q28	146
Q29	144
Q30	128

SYMBOL NO.	INDEX NO.
Q31	128
Q32	128
Q33	128
---	---
---	---
---	---
---	---
---	---
---	---
Q500	128

SYMBOL NO.	INDEX NO.
Q501	131
Q502	131

RESISTOR

SYMBOL NO.	INDEX NO.
R1	243
R2	228
R3	270
R4	228
R5	270
---	---
R6	228
R7	220
R8	220
---	---
---	---

SYMBOL NO.	INDEX NO.
---	---
---	---
R13	272
---	---
R15	272
---	---
R16	272
R17	255
R18	256
R19	256
R20	253

44.BCU Board (G130/G131)

RESISTOR

SYMBOL NO.	INDEX NO.	SYMBOL NO.	INDEX NO.	SYMBOL NO.	INDEX NO.	SYMBOL NO.	INDEX NO.	SYMBOL NO.	INDEX NO.	SYMBOL NO.	INDEX NO.	SYMBOL NO.	INDEX NO.
R21	255	R31	229	---	---	R51	255	R61	255	---	---	R81	256
R22	227	R32	228	---	---	R52	255	R62	256	R72	275	---	---
R23	249	R33	243	---	---	R53	255	R63	256	R73	255	R83	255
R24	249	R34	243	---	---	R54	255	R64	256	R74	274	R84	255
R25	229	R35	243	---	---	R55	255	R65	256	R75	255	---	---
R26	246	R36	246	---	---	R56	274	R66	256	---	---	---	---
R27	228	---	---	R47	257	R57	256	R67	255	---	---	R87	258
R28	229	---	---	---	---	R58	275	R68	255	R78	255	---	---
R29	229	R39	242	R49	255	R59	255	R69	256	---	---	---	---
R30	229	R40	231	R50	255	R60	255	---	---	R80	255	R90	246

RESISTOR

SYMBOL NO.	INDEX NO.	SYMBOL NO.	INDEX NO.	SYMBOL NO.	INDEX NO.	SYMBOL NO.	INDEX NO.	SYMBOL NO.	INDEX NO.	SYMBOL NO.	INDEX NO.	SYMBOL NO.	INDEX NO.
R91	234	R101	243	R111	224	R121	249	R131	255	R141	256	---	---
R92	233	R102	243	R112	228	R122	229	R132	255	---	---	---	---
R93	229	R103	229	R113	229	R123	249	R133	255	R143	256	---	---
R94	246	R104	228	R114	229	R124	255	R134	255	---	---	---	---
R95	243	R105	249	R115	246	R125	259	R135	255	R145	246	R155	249
R96	229	R106	228	R116	230	R126	256	R136	275	R146	234	R156	229
R97	228	R107	224	R117	229	R127	229	R137	255	---	---	R157	226
R98	229	R108	224	R118	229	R128	249	R138	256	---	---	R158	261
R99	246	R109	229	R119	229	R129	274	R139	274	---	---	R159	261
R100	243	R110	229	R120	249	R130	275	R140	255	---	---	R160	261

44.BCU Board (G130/G131)

RESISTOR

SYMBOL NO.	INDEX NO.	SYMBOL NO.	INDEX NO.	SYMBOL NO.	INDEX NO.	SYMBOL NO.	INDEX NO.	SYMBOL NO.	INDEX NO.	SYMBOL NO.	INDEX NO.	SYMBOL NO.	INDEX NO.
R161	263	R171	249	R181	242	---	---	R201	249	R211	229	R221	249
R162	263	R172	231	R182	256	---	---	R202	229	R212	229	R222	229
R163	263	R173	229	R183	256	R193	248	R203	250	R213	238	---	---
R164	251	R174	229	R184	256	R194	229	---	---	R214	243	R224	228
R165	251	R175	237	R185	249	R195	229	R205	249	R215	238	R225	249
R166	251	R176	249	---	---	R196	227	---	---	R216	226	R226	249
R167	245	R177	256	R187	229	R197	267	R207	249	R217	226	---	---
R168	245	R178	256	---	---	R198	267	---	---	R218	225	---	---
R169	245	R179	256	R189	229	R199	249	R209	229	R219	238	---	---
R170	243	R180	256	R190	240	R200	229	R210	229	R220	226	---	---

RESISTOR

SYMBOL NO.	INDEX NO.	SYMBOL NO.	INDEX NO.	SYMBOL NO.	INDEX NO.	SYMBOL NO.	INDEX NO.	SYMBOL NO.	INDEX NO.	SYMBOL NO.	INDEX NO.	SYMBOL NO.	INDEX NO.
R231	229	R241	229	R251	229	R261	242	R271	249	R281	236	R291	229
R232	228	R242	243	R252	229	R262	249	R272	262	R282	236	R292	229
R233	265	R243	229	R253	229	R263	229	R273	249	R283	236	R293	227
R234	228	R244	249	R254	228	R264	249	---	---	R284	236	R294	249
R235	228	R245	229	R255	228	R265	249	R275	221	R285	262	---	---
R236	265	R246	229	R256	229	R266	249	R276	221	R286	262	R296	249
R237	232	R247	249	R257	227	R267	229	R277	269	R287	269	R297	249
R238	243	R248	243	R258	249	R268	249	R278	269	R288	269	R298	249
R239	244	R249	249	R259	249	R269	249	R279	262	R289	227	R299	228
R240	229	---	---	R260	242	R270	249	R280	262	R290	249	R300	231

44.BCU Board (G130/G131)

RESISTOR

SYMBOL NO.	INDEX NO.	SYMBOL NO.	INDEX NO.	SYMBOL NO.	INDEX NO.	SYMBOL NO.	INDEX NO.	SYMBOL NO.	INDEX NO.	SYMBOL NO.	INDEX NO.	SYMBOL NO.	INDEX NO.
R301	249	R311	249	R321	249	R331	241	R341	252	R351	246	---	---
R302	229	R312	229	R322	229	R332	239	R342	246	R352	268	R362	223
---	---	R313	243	R323	249	R333	241	R343	246	R353	228	R363	223
R304	249	R314	229	R324	249	R334	248	R344	246	R354	228	R364	223
R305	249	R315	221	R325	229	R335	239	---	---	R355	269	R365	223
R306	249	---	---	R326	229	---	---	---	---	R356	269	R366	223
R307	249	R317	228	R327	248	---	---	R347	268	R357	268	R367	223
R308	249	R318	243	R328	239	---	---	R348	246	R358	246	R368	259
R309	229	R319	249	R329	241	R339	230	R349	246	R359	229	R369	259
R310	229	R320	249	R330	248	R340	246	R350	268	R360	229	R370	259

RESISTOR

SYMBOL NO.	INDEX NO.	SYMBOL NO.	INDEX NO.	SYMBOL NO.	INDEX NO.	SYMBOL NO.	INDEX NO.	SYMBOL NO.	INDEX NO.	SYMBOL NO.	INDEX NO.	SYMBOL NO.	INDEX NO.
R371	259	R381	260	R391	260	R501	219	---	---	R521	269	R531	249
R372	259	---	---	R392	262	R502	219	---	---	R522	228	R532	228
R373	260	---	---	R393	262	R503	219	R513	226	R523	228	R533	249
R374	260	R384	256	R394	259	---	---	R514	243	R524	228	R534	228
R375	255	R385	256	R395	259	R505	246	R515	243	R525	228	R535	249
R376	255	R386	259	R396	259	R506	228	R516	243	---	---	R536	239
R377	255	R387	259	R397	243	R507	219	R517	228	R527	228	R537	246
R378	260	R388	256	R398	229	R508	219	R518	266	---	---	R538	228
R379	260	R389	256	---	---	R509	228	R519	264	R529	227	R539	227
R380	260	R390	260	---	---	R510	229	R520	269	R530	229	R540	229

44.BCU Board (G130/G131)

RESISTOR

SYMBOL NO.	INDEX NO.	SYMBOL NO.	INDEX NO.	SYMBOL NO.	INDEX NO.	SYMBOL NO.	INDEX NO.	SYMBOL NO.	INDEX NO.	SYMBOL NO.	INDEX NO.	SYMBOL NO.	INDEX NO.
R541	221	R551	249	R561	227	R571	249	R581	249	R591	229	R601	243
R542	221	R552	229	R562	243	R572	227	R582	229	R592	249	R602	249
R543	249	R553	228	R563	243	R573	249	R583	249	R593	249	R603	249
R544	227	R554	265	R564	243	R574	229	R584	241	R594	229	R604	229
R545	243	R555	228	R565	243	R575	229	R585	243	R595	229	R605	229
R546	243	R556	265	R566	249	R576	249	R586	229	R596	230	R606	229
R547	249	R557	241	R567	249	R577	229	R587	229	R597	246	R607	243
R548	249	R558	235	R568	249	R578	229	R588	229	R598	249	R608	243
R549	227	R559	249	R569	249	R579	235	R589	229	R599	229	R609	229
R550	249	R560	229	R570	249	R580	229	R590	229	R600	229	R610	249

RESISTOR

SYMBOL NO.	INDEX NO.	SYMBOL NO.	INDEX NO.	SYMBOL NO.	INDEX NO.	SYMBOL NO.	INDEX NO.	SYMBOL NO.	INDEX NO.	SYMBOL NO.	INDEX NO.	SYMBOL NO.	INDEX NO.
R611	249	R621	230	R631	249	R641	249	R651	257	R661	249	---	---
R612	229	R622	243	R632	229	R642	230	---	---	R662	249	---	---
R613	255	R623	243	R633	229	R643	230	R653	255	---	---	---	---
R614	255	R624	243	R634	242	R644	230	R654	242	R664	256	---	---
R615	255	R625	243	R635	242	R645	229	---	---	R665	256	---	---
---	---	R626	243	R636	243	R646	229	---	---	---	---	---	---
R617	234	R627	229	R637	243	R647	229	---	---	R667	255	---	---
R618	246	R628	229	R638	243	---	---	---	---	R668	255	R678	255
R619	249	R629	243	R639	230	---	---	R659	243	R669	257	---	---
R620	249	R630	229	R640	230	R650	256	R660	229	R670	256	R680	256

44.BCU Board (G130/G131)

RESISTOR

SYMBOL NO.	INDEX NO.
---	---
---	---
---	---
R684	229
R685	255
R686	255
R687	246
---	---
R689	246
---	---

SYMBOL NO.	INDEX NO.
R691	259
R692	259
R693	259
R694	259
R695	255
R696	255
R697	255
R698	256
R699	256
R700	255

SYMBOL NO.	INDEX NO.
R701	255
R702	256
R703	257
R704	254
R705	256
R706	273
R707	273
R708	273
R709	273
R710	272

SYMBOL NO.	INDEX NO.
R711	256
R712	255
R713	256
R714	257
R715	256
R716	220
R717	220

REG

SYMBOL NO.	INDEX NO.
REG1	174
REG2	165
REG3	163
---	---
REG5	167
REG6	174

RN

SYMBOL NO.	INDEX NO.
RN1	184
RN2	184
RN3	181
RN4	186
---	---
RN6	182
RN7	186
RN8	183
RN9	183
---	---

SYMBOL NO.	INDEX NO.
RN11	213
RN12	184
RN13	213
RN14	213
RN15	184
RN16	218
RN17	213
---	---
RN19	218
RN20	213

RN

SYMBOL NO.	INDEX NO.
RN21	218
RN22	218
RN23	187
RN24	183
RN25	184
RN26	184
RN27	213
RN28	213
RN29	213
RN30	213

SYMBOL NO.	INDEX NO.
RN31	187
RN32	184
RN33	214
RN34	214
RN35	214
RN36	214
RN37	214
RN38	183
RN39	214
RN40	217

SYMBOL NO.	INDEX NO.
RN41	217
RN42	215
---	---
---	---
---	---
RN56	214
RN57	183
RN58	183
RN59	215
---	---

SYMBOL NO.	INDEX NO.
RN61	215
RN62	215
RN63	215
RN64	183
RN65	214
RN66	214
RN67	215
RN68	215
RN69	214
---	---

SYMBOL NO.	INDEX NO.
RN71	214
RN72	216
RN73	183
RN74	214
RN75	183
RN76	183
RN77	186
RN78	186
RN79	185
RN80	186

SYMBOL NO.	INDEX NO.
RN81	216
RN82	185
RN83	185
RN84	185
RN85	183
RN86	216
RN87	185
RN88	214
RN89	183
RN90	185

SYMBOL NO.	INDEX NO.
RN91	215
RN92	215
RN93	183
RN94	214
RN95	186
RN96	183
RN97	186
RN98	185
RN99	185
RN100	185

44.BCU Board (G130/G131)

RN

SYMBOL NO.	INDEX NO.
RN101	185
RN102	183
RN103	186
RN104	183
RN105	183
RN106	186
RN107	183
RN108	185
RN109	185
RN110	183

SYMBOL NO.	INDEX NO.
RN111	185
RN112	187
RN113	186
RN114	216
RN115	185
RN116	214
RN117	183
RN118	214
RN119	214
RN120	185

SYMBOL NO.	INDEX NO.
---	---
---	---
---	---
---	---
---	---
---	---
---	---
---	---
---	---
RN500	183

SYMBOL NO.	INDEX NO.
RN501	185
RN502	185
RN503	214
RN504	185
RN505	183
RN506	183
RN507	215
RN508	184
---	---
RN510	184

SYMBOL NO.	INDEX NO.
RN511	183
RN512	214
RN513	214
RN514	214

SW

SYMBOL NO.	INDEX NO.
SW1	127

ZD

SYMBOL NO.	INDEX NO.
ZD1	138
ZD2	138
ZD3	138
ZD4	140
ZD5	139
ZD6	139
ZD7	139
---	---
---	---
ZD500	139

ZD

SYMBOL NO.	INDEX NO.
ZD501	139
ZD502	139
ZD503	139
ZD504	138

44.BCU Board (G130/G131)

Index No.	Part No.	Description	Q'ty Per Assembly
*	G131 5051	PCB:BCU	
1	A232 5355	IC - GATEX	1
2	B180 5452	IC:DSP:JC2:BCU	1
3	G060 5355	IC - S-GATEX	1
4	G060 5791	IC - GAPCI	1

Index No.	Part No.	Description	Q'ty Per Assembly
101	1102 6295	Connector - 2P	
102	1102 6297	Connector - 4P	
103	1102 7093	Connector - 53375-0610	
104	1102 7094	Connector - 12P	
105	1102 8194	Connector - 53375-0210	
106	1102 8469	Connector - 55447-0510	
107	1102 8472	Connector - 55447-0810	
108	1102 8473	Connector - 55447-0910	
109	1102 8474	Connector - 5 P	
110	1102 8475	Connector - 11P	
111	1102 8477	Connector - 13P	
112	1102 8478	Connector - 55447-1410	
113	1102 8480	Connector - 55447-1610	
114	1102 8481	Connector - 55447-1760	
115	1102 8487	Connector - 55451-2610	
116	1102 8488	Connector - 5451-2810	
117	1102 8489	Connector - 55451-3010	
118	1102 8491	Connector - 55451-3410	
119	1102 8492	Connector - 55451-3610	
120	1102 8493	Connector - 55451-3810	
121	1102 8494	Connector - 55451-4010	
122	1102 9116	Connector - 353297-5	
123	1102 9606	Connector - 200RS-JUK-GB	
124	1104 0764	IC Socket - 8 PIN	
125	1107 1077	Fuse:Tf16sn3.15t	
126	1107 1127	Fuse:Kms16	
127	1204 2637	DIP SWITCH:71D-04E	
128	1400 0556	Transistor - DTB143EK	
129	1400 0688	TRANSISTOR DTC143ZUA	
130	1400 0775	Transistor - 2SC4081	
131	1400 0810	Transistor:Dtc114eua	
132	1400 1049	TRANSISTOR:DTA143ZUA	
133	1401 1222	Fet:Hat2068r	
134	1402 0595	Diode Array - DAN202K	
135	1402 0596	Diode-array - DAP202K	

Index No.	Part No.	Description	Q'ty Per Assembly
136	1402 0708	Diode - 1SS272	
137	1402 1336	Diode - 1SS355	
138	1402 1662	Diode:Ptz6.2b	
139	1402 1663	Diode - ZTP12B	
140	1402 1729	Diode:Udzs18b	
141	1403 0907	Diode - SML-310LT	
142	1403 0953	LED - SML-310MT	
143	1403 1033	LED - SML-310YT	
144	1407 1535	IC - TD62308AP	
145	1407 2187	TTLIC - SN74LS07NS	
146	1407 2219	IC - TD62003AP	
147	1407 3281	IC - TC74HCU04AF	
148	1407 4687	IC - TA8083F	
149	1407 5151	IC - MBM29F160TE70TN	
150	1407 5161	Cpu- Hd64f2633wf25	
151	1407 5344	IC - SN74LV02APW	
152	1407 5346	IC - SN74LS74ANS	
153	1407 5347	IC - SN74LV08APW	
154	1407 5351	IC - SN74LV14APW	
155	1407 5353	IC - SN74LV244APW	
156	1407 5376	IC - SN74LV32APW	
157	1407 5377	IC - SN74AHCT1G08DCK	
158	1407 5469	IC - SN74LV07APW	
159	1407 5538	CPU - D6432633wg00f	
160	1407 6055	IC - A3968SLB	
161	1407 6236	Clock Generator:Mb88152pnf-g-111-e1	
162	1407 6430	CUSTOM IC:GAVD TYPE-R	
163	1408 1448	Regulator - PQ3DZ13	
164	1408 1535	Transistor Array - M54585p	
165	1408 1774	Series Regulator:Upc2933at	
166	1408 1781	IC - R3112N421A	
167	1408 1823	Series Regulator:Rq5rw20c-fa	
168	1408 1829	Ope Amp - Lm358pw	
169	1408 1890	D/A Converter:M62354gp	
170	1408 1907	IC:R3112q451a-fa	

Index No.	Part No.	Description	Q'ty Per Assembly
171	1408 1911	Comparator - LM2903PW	
172	1408 2003	IC:R3112n281a-fa	
173	1408 2007	Operational Amplifier:Lm324pw	
174	1408 2159	Series Regulator:Pq018ef01szh	
175	1503 0885	Crystal Oscillator - 10MHZ	
176	1503 0946	Crystal Oscillator - 9.8304mhz	
177	1503 1007	Crystal Oscillator - 25mhz	
178	1503 1013	Crystal Oscillator - 24.3MHZ	
179	1503 1058	Crystal Oscillator-20mhz7.0pF 50ppm	
180	1503 1182	Crystal Oscillator - 16.5MHZ	
181	1601 7869	Resistor - 1.2K Ω \pm 5% 1/16W	
182	1601 7877	Resistor Array 4.7k Ω \pm 5% 1/32w	
183	1601 7887	Resistor Array - 10K Ω \pm 5% 1/32W	
184	1601 7898	Resistor Array	
185	1601 7943	Resistor Array - 68 Ω \pm 5% 1/32W	
186	1601 7959	Resistor	
187	1601 7981	Resistor Array - 100K Ω \pm 5%1/16W	
188	1602 7032	Filter - EMI - 2200pF	
189	1604 5064	Capacitor 47uf: \pm 20%:50v	
190	1604 5065	Capacitor 10uf: \pm 20%:50v	
191	1604 5066	Capacitor 100uf: \pm 20%:50v	
192	1604 5068	Capacitor:47uf: \pm 20%:25v	
193	1604 5069	Capacitor 47uf: \pm 20%:16v	
194	1604 5070	Capacitor:100uf: \pm 20%:10v	
195	1604 5299	Capacitor 330 μ F \pm 20% 6.3v	
196	1605 0877	Capacitor - 6PF \pm 0.5pF 50V	
197	1605 1148	Capacitor - 0.1 μ F+80-20% 50V	
198	1605 1190	Resistor - 0.022 μ F \pm 10% 50V	
199	1605 1208	Capacitor:100pF: \pm 5%:50v	
200	1605 1214	Capacitor - 1000pF \pm 10% 50V	
201	1605 1216	Capacitor - 2200pF \pm 10%50V	
202	1605 1221	Capacitor - 0.1 UF+80-20%16V	
203	1605 1285	Capacitor - 3300pF \pm 10% 50V	
204	1605 1295	Capacitor:10uf:+80-20%:10v	
205	1605 1344	Capacitor - 33pF \pm 5% 50V	

Index No.	Part No.	Description	Q'ty Per Assembly
206	1605 1353	Capacitor - 0.1 μ F \pm 10% 25V	
207	1605 1355	Ceramic Capacitor:680pF: \pm 10%:50v	
208	1605 1387	Capacitor - 0.68 μ F \pm 10% 10V	
209	1605 1455	Capacitor - 10000pF \pm 5% 50V	
210	1607 1002	IC - NFM60R30T222	
211	1607 1606	Inductor - Nlfc453232-150k-pF	
212	1607 1608	Inductor - Nlfc453232-101k-pF	
213	1609 0005	Resistor:33 Ω : \pm 5%:1/16w	
214	1609 0006	Resistor:10k Ω : \pm 5%:1/16w	
215	1609 0007	Resistor - 68 Ω \pm 5% 1/16W	
216	1609 0015	Resistor - 1K Ω \pm 5%:1/16W	
217	1609 0025	Resistor - 100 Ω \pm 5% 1/16W	
218	1609 0027	Resistor - 100K Ω \pm 5% 1/16W	
219	1610 1347	Resistor - 0.22 Ω \pm 5% 1/4W	
220	1610 1568	Resistor - 10 Ω \pm 1% 1W	
221	1610 1693	Resistor - 330 Ω \pm 5% 1/1W	
222	1631 0000	Resistor - 0 Ω 1/4W	
223	1634 0000	Resistor - 0 Ω 1/16W	
224	1650 2680	Resistor - 68 Ω \pm 5% 1/4W	
225	1650 3821	Resistor - 820 Ω \pm 5% 1/8W	
226	1650 4100	Resistor - 10 Ω \pm 5% 1/10W	
227	1650 4101	Resistor - 100 Ω \pm 5%1/10W	
228	1650 4102	Resistor - 1K Ω \pm 5% 1/10W	
229	1650 4103	Resistor - 10K Ω \pm 5% 1/10W	
230	1650 4104	Resistor - 100K Ω \pm 5%1/10W	
231	1650 4105	Resistor - 1M Ω \pm 5% 1/10W	
232	1650 4152	Resistor - 1.5K Ω \pm 5% 1/10W	
233	1650 4153	Resistor - 15K Ω \pm 5% 1/10W	
234	1650 4161	Resistor - 160 Ω \pm 5% 1/10W	
235	1650 4201	Resistor - 200 Ω \pm 5%1/10W	
236	1650 4204	Resistor - 200K Ω \pm 5%1/10W	
237	1650 4221	Resistor - 220 Ω \pm 5%1/10W	
238	1650 4222	Resistor - 2.2K Ω \pm 5%1/10W	
239	1650 4223	Resistor - 22K Ω \pm 5%1/10W	
240	1650 4244	Resistor:240k Ω : \pm 5%:1/10w:1608	

Index No.	Part No.	Description	Q'ty Per Assembly
241	1650 4302	Resistor - 3K Ω \pm 5%1/10W	
242	1650 4330	Chip Resistor - 33 Ω \pm 5% 1/10w	
243	1650 4332	Resistor - 3.3K Ω \pm 5%1/10W	
244	1650 4362	Resistor - 3.6K Ω \pm 5%1/10W	
245	1650 4470	Resistor - 47 Ω \pm 5%1/10W	
246	1650 4472	Resistor - 4.7K Ω \pm 5% 1/10W	
247	1650 4561	Resistor - 560 Ω \pm 5% 1/10W	
248	1650 4563	Resistor - 56K Ω \pm 5%1/10W	
249	1650 4680	Resistor - 68 Ω \pm 5%1/10W	
250	1650 4681	Resistor - 680 Ω \pm 5% 1/10W	
251	1650 4682	Resistor - 6.8K Ω \pm 5% 1/10W	
252	1650 4750	Resistor - 75 Ω \pm 5%1/10W	
253	1650 5101	Chip Resistor - 100 Ω \pm 5%1/16w	
254	1650 5102	Chip Resistor - 1k Ω \pm 5%1/16w	
255	1650 5103	Chip Resistor - 10k Ω \pm 5%1/16w	
256	1650 5330	Chip Resistor - 33 Ω \pm 5%1/16w	
257	1650 5332	Resistor - 3.3K Ω \pm 5% 1/16W	
258	1650 5472	Chip Resistor:4.7k Ω : \pm 5%:1/16w	
259	1650 5680	Resistor - 68 Ω \pm 5% 1/16W	
260	1654 1000	Resistor - 100 Ω \pm 1% 1/10W	
261	1654 1002	Resistor - 10K Ω \pm 5%1/10W	
262	1654 1601	Chip Resistor - 1.6k Ω \pm 1% 1/10w	
263	1654 2002	Resistor - 20K Ω \pm 1%1/10W	
264	1654 2200	Resistor:220 Ω : \pm 1%:1/10w:1608	
265	1654 2402	Chip Resistor:24k Ω : \pm 1%:1/10w	
266	1654 3241	Resistor - 3.24K Ω \pm 1% 1/10W	
267	1654 3302	Chip Resistor-33k Ω \pm 1%-1/10w	
268	1654 3903	Resistor - 390K Ω \pm 1% 1/10W	
269	1654 5231	Resistor - 5.23K Ω \pm 1%1/10W	
270	1654 8201	Resistor - 8.2K Ω \pm 1% 1/10W	
271	1655 0000	Chip Resistor - 0 Ω \pm 0%1/16w	
272	1655 1201	Resistor - 1.2K Ω \pm 1% 1/16W	
273	1655 1800	Chip Resistor:180 Ω : \pm 1%:1/16w	
274	1655 4700	Chip Resistor:470 Ω : \pm 1%:1/16w:1005	
275	1655 4701	Chip Resistor - 4.7k Ω \pm 1%1/16w	

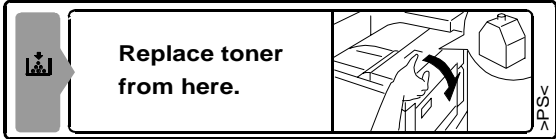
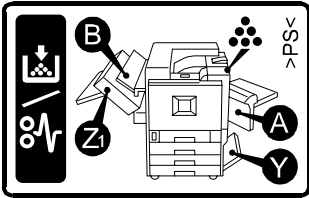
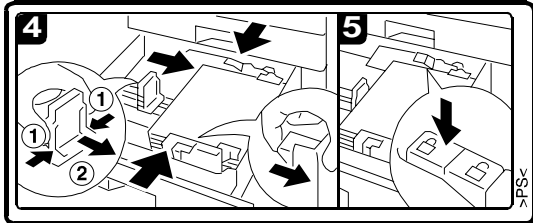
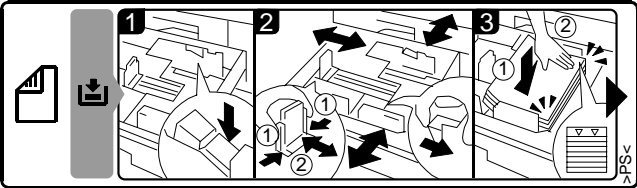

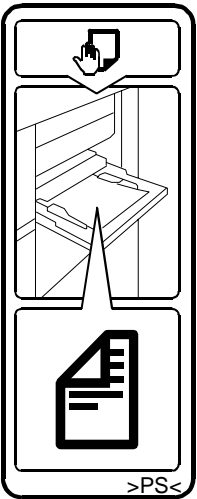
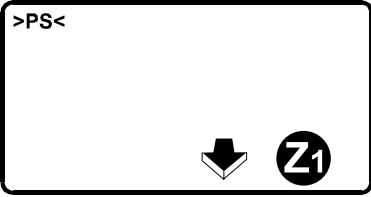

Index No.	Part No.	Description	Q'ty Per Assembly
276	1660 0100	Capacitor - 10PF \pm 0.5pF 50V	
277	1660 2101	Capacitor - 100pF - \pm 10% - 50V	
278	1660 2120	Capacitor - 12 pF \pm 5% 50V	
279	1660 2150	Capacitor - 15pF \pm 5% 50V	
280	1660 2220	Capacitor - 22pF \pm 20% 35V	
281	1660 2221	Capacitor - 220pF +80-20% 50V	
282	1660 2270	Capacitor - 27pF \pm 20% 35V	
283	1660 2330	Capacitor - 33pF - \pm 5% - 50V	
284	1660 2471	Capacitor - 470pF - \pm 5% - 50V	
285	1660 4102	Capacitor - 1000pF \pm 10% 50V	
286	1660 4103	Capacitor - 10000pF - \pm 10% - 50V	
287	1660 4472	Capacitor - 4700pF \pm 10% 50V	
288	1660 6103	Capacitor - 10000pF - +80%-20%50V	
289	1902 0067	RAM:1m:X8:70ns:G17	
290	1407 5852	Dsp - Tms320lf2401avfa	

Index No.	Part No.	Description	Q'ty Per Assembly

45.Decals And Documents (G130/G131)

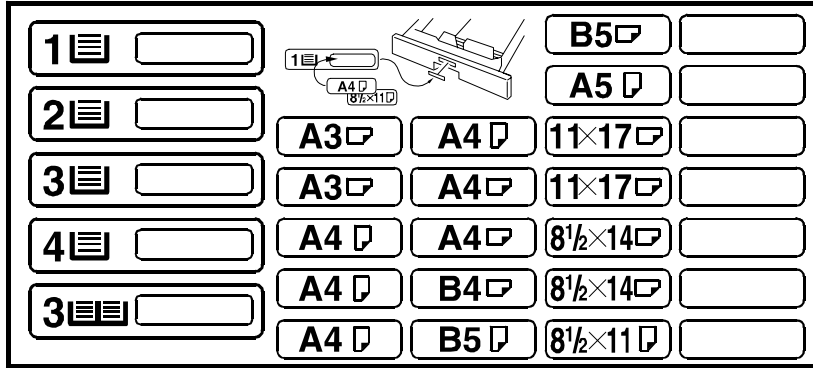
<p>1</p> <p>高压 注意</p>	<p>2</p> <p>LASER RADIA WHEN SYNCHRONIZING DETECTOR BOARD OPEN. AVOID EXPOSURE TO BEAM. LASERSTRAHLUNG WENN SYNCHRONISATIONSDETEKTORBOARD GEOFFNET. NICHT DEM STRAHL AUSSETZEN.</p> <p>CAUTION VORSICHT</p> <p>>PS<</p>	<p>3</p> <p>CAUTION-CLASS 3B LASER RADIATION WHEN OPEN AVOID EXPOSURE TO THE BEAM VORSICHT-LASERSTRAHLUNG KLASSE 3B. WENN ABDECKUNG GEOFFNET NICHT DEM STRAHL AUSSETZEN</p> <p>CAUTION VORSICHT</p> <p>>PS<</p>
<p>4</p> <p>CAUTION ACHTUNG ATTENTION ATTENZIONE PRECAUCION 高温 注意</p>	<p>5</p> <p>>ABS<</p>	<p>6</p> <p>>PS<</p>
<p>7</p>	<p>8</p> <p>>PS<</p>	<p>9</p> <p>>PS<</p>

45. Decals And Documents (G130/G131)

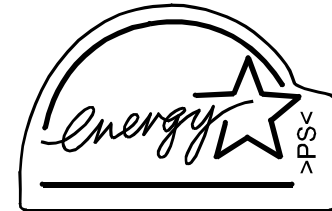
<p>10</p> 	<p>11</p> 	
<p>12</p> 	<p>13</p> 	
<p>14</p> 		<p>17</p> 
<p>15</p> 		
<p>16</p> 		

45.Decals And Documents (G130/G131)

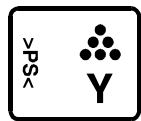
18



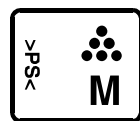
28



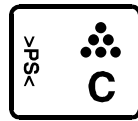
19



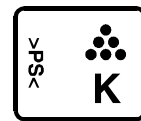
20



21



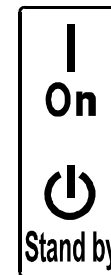
22



23



29



24



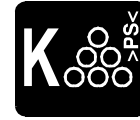
25






26



27



45.Decals And Documents (G130/G131)

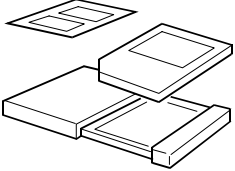
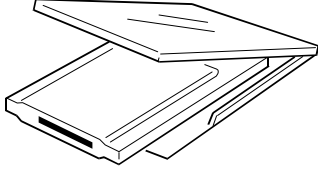
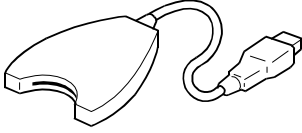
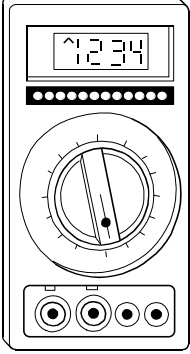
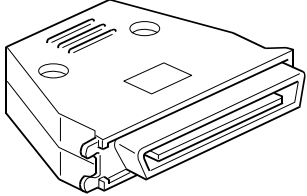
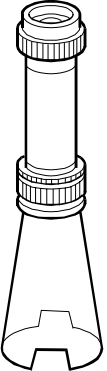
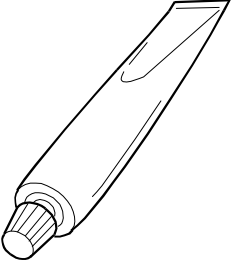
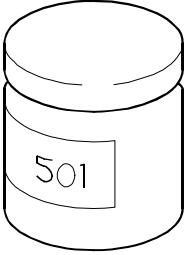
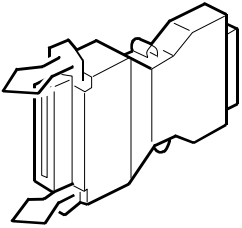
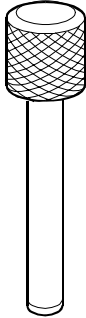
<p>30</p>  <p>Precautions on printer paper</p> <ul style="list-style-type: none"> • NEVER use ink-jet printer paper to prevent failure • Use a PROPER type OHP film and it in correct direction to prevent failure 	<p>31</p> 
<p>32</p> <div style="display: flex; flex-wrap: wrap; justify-content: space-around;"> <div style="border: 1px solid black; padding: 10px; width: 25%;"> <p>nashuatec</p> <p>*****</p> <p>Aficio</p> </div> <div style="border: 1px solid black; padding: 10px; width: 25%;"> <p>RICOH</p> <p>Aficio</p> <p>2238C</p> </div> <div style="border: 1px solid black; padding: 10px; width: 25%;"> <p><i>Gestetner</i></p> <p>*****</p> <p>36</p> <p>Aficio™</p> </div> <div style="border: 1px solid black; padding: 10px; width: 25%;"> <p><i>Gestetner</i></p> <p>*****</p> </div> <div style="border: 1px solid black; padding: 10px; width: 25%;"> <p>Rex-Rotary</p> <p>*****</p> <p>Aficio™</p> </div> <div style="border: 1px solid black; padding: 10px; width: 25%;"> <p>LANIER</p> <p>*****</p> </div> <div style="border: 1px solid black; padding: 10px; width: 25%;"> <p>savin</p> <p>*****</p> </div> <div style="border: 1px solid black; padding: 10px; width: 25%;"> <p>infotec</p> <p>*****</p>  </div> </div>	

45.Decals And Documents (G130/G131)

Index No.	Part No.	Description	Q'ty Per Assembly
1	5214 4975	Decal - High Voltage	1
2	AA00 0218	Caution Decal	1
3	AA00 0217	Decal - LD 655	1
4	AA00 0401	Decal - High Temperature	1
5	GA00 3025	Decal - Drum Stay	1
6	G060 3609	Toner Collection Bottle Decal	1
7	GA00 3055	Decal:Fusing Unit:Positioning Display	1
8	B101 1389	Decal - Total Counter	1
9	GA00 3066	Decal:Paper Tray:No.1	1
10	GA00 3069	Decal:Toner Supply:English	1
11	G106 8550	Decal - Paper Jam	1
12	GA00 3068	Decal:Paper Tray:No.2:Right	1
13	GA00 3067	Decal:Paper Tray:No.2:Left	1
14	GA00 3091	Decal - Grip B1 Ps	1
15	GA00 1005	Decal - Z1	1
16	GA00 1010	Decal - Grip B2	1
17	GA00 3010	Decal - Manual Feed	1
18	GA00 3014	Decal - Paper Tray	1
19	GA00 3016	Decal - Y Toner Supply	1
20	GA00 3017	Decal - M Toner Supply	1
21	GA00 3018	Decal - C Toner Supply	1
22	GA00 3019	Decal - K Toner Supply	1
23	GA00 3029	Decal - Vertical Transport	1
24	GA00 3030	Decal - Shielding Plate Y	1
25	GA00 3031	Decal - Shielding Plate M	1
26	GA00 3032	Decal - Shielding Plate C	1
27	GA00 3033	Decal - Shielding Plate K	1
28	GA00 3034	Decal - Energystar	1
29	GA00 3037	Decal - Power Source	1
30	GA00 3038	Decal - Inkjet Paper Caution	1
31	GA00 3044	Decal - Vertical Transport 2	1
32	G130 6192	Sheet:Emblem:J-P4a:EXP	1
32	G130 6193	Sheet:Emblem:J-P4a:SVN	1
32	G130 6194	Sheet:Emblem:J-P4a:GES:NA	1
32	G130 6195	Sheet:Emblem:J-P4a:LAN	1

Index No.	Part No.	Description	Q'ty Per Assembly
32	G130 6492	Sheet:Emblem:J-P4a:NRG:NSA	1
32	G130 6493	Sheet:Emblem:J-P4a:NRG:REX	1
32	G130 6494	Sheet:Emblem:J-P4a:NRG:GES	1
32	G130 6692	Sheet:Emblem:J-P4a:INF	1
32	G131 6192	Sheet:Emblem:J-P4c:EXP	1
32	G131 6193	Sheet:Emblem:J-P4c:SVN	1
32	G131 6194	Sheet:Emblem:J-P4c:GES:NA	1
32	G131 6195	Sheet:Emblem:J-P4c:LAN	1
32	G131 6492	Sheet:Emblem:J-P4c:NRG:NSA	1
32	G131 6494	Sheet:Emblem:J-P4c:NRG:GES	1
32	G131 6692	Sheet:Emblem:J-P4c:INF	1

46.Special Tools (G130/G131)

<p>1</p> 	<p>2</p> 	<p>3</p> 	<p>4</p> 	<p>5</p> 
<p>6</p> 	<p>7</p> 	<p>8</p> 	<p>9</p> 	<p>10</p> 

46.Special Tools (G130/G131)

Index No.	Part No.	Description	Q'ty Per Assembly
1	B645 5010	SD-Card:Ass'y	1
2	B645 6700	SD-Card:Adapter:BN-SDAA2	1
3	B645 6800	SD-Card:USB:Writer:BN-SDCE2	1
4	A029 9387	Digital Multimeter - FLUKE87	1
5	G021 9350	Loopback Connector - Parallel	1
6	C401 9503	20X Magnification Scope	1
7	A257 9300	Grease - Barrierta S552R	1
8	5203 9501	Grease 501	1
9	G588 5140	Plug - IEEE1284 TYPE C	1
10	A006 9104	Adjusting Scanner Pin (4pcs/set)	1

Index No.	Part No.	Description	Q'ty Per Assembly

Parts Index

Parts Index

Part No.	Description	Page and Index No.
G130 6192	Sheet:Emblem:J-P4a:EXP	11 - 29
G130 6192	Sheet:Emblem:J-P4a:EXP	133 - 32
G130 6193	Sheet:Emblem:J-P4a:SVN	133 - 32
G130 6193	Sheet:Emblem:J-P4a:SVN	11 - 29
G130 6194	Sheet:Emblem:J-P4a:GES:NA	11 - 29
G130 6194	Sheet:Emblem:J-P4a:GES:NA	133 - 32
G130 6195	Sheet:Emblem:J-P4a:LAN	11 - 29
G130 6195	Sheet:Emblem:J-P4a:LAN	133 - 32
G130 6492	Sheet:Emblem:J-P4a:NRG:NSA	133 - 32
G130 6492	Sheet:Emblem:J-P4a:NRG:NSA	11 - 29
G130 6493	Sheet:Emblem:J-P4a:NRG:REX	11 - 29
G130 6493	Sheet:Emblem:J-P4a:NRG:REX	133 - 32
G130 6494	Sheet:Emblem:J-P4a:NRG:GES	11 - 29
G130 6494	Sheet:Emblem:J-P4a:NRG:GES	133 - 32
G130 6692	Sheet:Emblem:J-P4a:INF	11 - 29
G130 6692	Sheet:Emblem:J-P4a:INF	133 - 32
G130 9590	NVRAM-Zero Counter	87 - 17
G131 1280	Supporting Plate:Cover:Right Rear	13 - 30
G131 1283	Inner Cover:Upper	11 - 3
G131 1854	Imaging Unit	15 - *
G131 2211	PCU - CMY	41 - 1
G131 2460	Screw:M4x7:P4	13 - 11
G131 3201	Holder:Toner Cartridge:Collar:Ass'y	37 - 1
G131 3202	Holder:Toner Cartridge:BK:DOM:Ass'y	35 - 2
G131 5051	PCB:BCU	125 - *
G131 5051	PCB:BCU	83 - 8
G131 5320	Harness:Main:Lower	83 - 13
G131 5321	Harness:Main:Middle:Ass'y	83 - 14
G131 5323	Harness:Main:Left	83 - 10
G131 5324	Harness:PSU:Power Source:Ass'y	83 - 12
G131 5325	Harness:PSU:Control:Ass'y	85 - 33
G131 5327	Harness:Fusing:Machine Or Copier	57 - 3
G131 5327	Harness:Fusing:Machine Or Copier	85 - 28
G131 5328	Harness:Dehumidifier	79 - 12
G131 5329	Harness:AC:SW	85 - 27

Part No.	Description	Page and Index No.
G131 5351	Harness:Power Supply Unit	79 - 16
G131 5353	Harness:Leak Breaker:L:Ass'y	85 - 24
G131 5354	Harness:Leak Breaker:N:Ass'y	85 - 25
G131 5420	Harness:Imaging Unit	15 - 15
G131 5422	Harness:Imaging Unit	15 - 19
G131 5489	Harness:New Article Sensor	13 - 16
G131 5605	Rack:Application:Front	83 - 5
G131 5620	Cover:Rack:Upper:Peen	83 - 1
G131 5647	Bracket:Choke Coil:DOM/NA:Ass'y (115V)	85 - 32
G131 5680	Guide Plate:Rack:Upper	75 - 24
G131 5700	PCB:Control	109 - *
G131 5701	PCB:J-P4:Ass'y	87 - 6
G131 5890	ASIC:CASTANETS	109 - 2
G131 5925	IC:BIOS:TYPE-BX2	109 - 3
G131 5931	SD-Card:J-P4:EXP:Ass'y	87 - 5
G131 5992	Panel:Control Board	87 - 3
G131 5993	Panel:SD-Card:1	87 - 2
G131 5994	Panel:SD-Card:2	87 - 1
G131 6110	Operation Panel	11 - 4
G131 6192	Sheet:Emblem:J-P4c:EXP	133 - 32
G131 6192	Sheet:Emblem:J-P4c:EXP	11 - 29
G131 6193	Sheet:Emblem:J-P4c:SVN	133 - 32
G131 6193	Sheet:Emblem:J-P4c:SVN	11 - 29
G131 6194	Sheet:Emblem:J-P4c:GES:NA	133 - 32
G131 6194	Sheet:Emblem:J-P4c:GES:NA	11 - 29
G131 6195	Sheet:Emblem:J-P4c:LAN	11 - 29
G131 6195	Sheet:Emblem:J-P4c:LAN	133 - 32
G131 6251	Bracket:Choke Coil:EU/AA:Ass'y (220V)	85 - 32
G131 6492	Sheet:Emblem:J-P4c:NRG:NSA	11 - 29
G131 6492	Sheet:Emblem:J-P4c:NRG:NSA	133 - 32
G131 6493	Sheet:Emblem:J-P4c:NRG:REX	11 - 29
G131 6493	Sheet:Emblem:J-P4c:NRG:REX	11 - 32
G131 6494	Sheet:Emblem:J-P4c:NRG:GES	11 - 29
G131 6494	Sheet:Emblem:J-P4c:NRG:GES	133 - 32
G131 6692	Sheet:Emblem:J-P4c:INF	11 - 29

Part No.	Description	Page and Index No.
G131 6692	Sheet:Emblem:J-P4c:INF	133 - 32

Part No.	Description	Page and Index No.
A006 9104	Adjusting Scanner Pin (4pcs/set)	135 - 10
A029 9387	Digital Multimeter - FLUKE87	135 - 4
A134 2661	Feeler Roller	31 - 12
A134 2976	Stopper Lever	19 - 7
A134 2978	Spring Plate	19 - 8
A166 2849	Drive Support Plate	27 - 17
A232 2762	Paper End Feeler	21 - 20
A232 2762	Paper End Feeler	23 - 21
A232 2764	Rear Grounding Plate	23 - 23
A232 2764	Rear Grounding Plate	21 - 22
A232 2765	Front Grounding Plate	23 - 17
A232 2766	Feed Mylar	23 - 19
A232 2766	Feed Mylar	21 - 17
A232 2987	Roller - Paper Tray	19 - 20
A232 2987	Roller - Paper Tray	17 - 10
A232 4653	Pressure Plate - Guide Plate	65 - 15
A232 4688	Grip Shaft	67 - 6
A232 5355	IC - GATEX	125 - 1
A232 6082	Front Rack	25 - 14
A232 6083	Rear Rack	25 - 13
A257 9300	Grease - Barrierta S552R	135 - 7
A259 6239	Screw - M3X4	33 - 4
A259 6239	Screw - M3X4	57 - 15
A267 2857	Spring Plate - Side Fence	19 - 18
A267 2859	Side Fence Stopper	19 - 16
A267 2860	Rear Lever Stopper	19 - 17
A267 3255	Paper Separation Guide	59 - 9
B004 2782	Rear Feed Mylar	23 - 28
B004 2995	Cap - Positioning	91 - 9
B024 1264	Magnet Catch	11 - 25
B101 1067	Frame:Lengthwise Upper	59 - 12
B101 1097	Rubber Foot:H5	11 - 23
B101 1168	Ground Plate:OPC Drum	75 - 19
B101 1182	Upper Fan Duct	85 - 7
B101 1183	Lower Fan Duct	85 - 8

Part No.	Description	Page and Index No.
B101 1192	Upper PCU Exit Duct	85 - 4
B101 1193	Lower PCU Exit Duct	85 - 5
B101 1194	Imaging Unit Harness Guide	75 - 5
B101 1195	Duct:Fusing:Upper	59 - 13
B101 1220	Left Lower Cover Ass'y	11 - 2
B101 1266	Right Lower Front Cover	13 - 25
B101 1284	Left Inner Cover	13 - 21
B101 1301	Right Front Grip Supporting Plate	93 - 7
B101 1302	Supporting Plate:Cover:Right Front:Grip	13 - 23
B101 1312	Front Pawl Stopper	11 - 19
B101 1313	Rear Pawl Stopper	11 - 22
B101 1314	Stopper Pawl Shaft	11 - 21
B101 1389	Decal - Total Counter	133 - 8
B101 1389	Decal - Total Counter	13 - 36
B101 3361	Toner Outlet Sub-unit:CY:Sub-ass'y	39 - 7
B101 3613	Plate:Plate:Guide Plate	57 - 17
B101 3617	Shutter:Density Sensor:Ass'y	57 - 13
B101 3768	Joint:Collection Bottle:Ass'y	77 - 6
B101 3902	Press Fit Exit Roller	45 - 2
B101 3940	Entrance Driven Roller	45 - 28
B101 4050	Fusing Cover:Upper:Ass'y	51 - 3
B101 4097	Holder:Guide:Roller	59 - 10
B101 4761	Reverse Unit Holder Cover	65 - 28
B101 4762	Guide Plate Cover	65 - 29
B101 4772	Reverse Unit Holder Frame Ass'y	65 - 20
B101 4783	Lower Holder Frame	65 - 21
B101 4785	Guide Plate Grip	65 - 25
B101 4787	Guide Plate:Holder	65 - 19
B101 5646	Leak Breaker Bracket	85 - 23
B101 5993	Interface Panel	87 - 16
B132 1531	Panel:Logo	11 - 6
B132 5185	PCB:Sync Detector Board:Side	15 - 11
B149 1071	PCU Supporter	39 - 4
B149 1072	PCU Supporter	39 - 1
B149 1995	Holder:Pad:Ass'y	11 - 27

Part No.	Description	Page and Index No.
B178 1084	Holder:Fan:Transport:Lower	93 - 2
B180 1095	Hinge:Vertical Transport:Ass'y	93 - 8
B180 1100	Drive Unit:BK:Sub-ass'y	75 - 6
B180 1106	Tightener:Registration:Sub-ass'y	79 - 4
B180 1115	Joint:Development:Sub-ass'y	75 - 15
B180 1120	Drive Unit:Color:Sub-ass'y	75 - 3
B180 1151	Bracket:Motor:Drum	75 - 9
B180 1152	Holder:Positioning Sensor:Gear:Drum	75 - 10
B180 1153	Holder:Magnetic Clutch:Development	75 - 12
B180 1154	Bracket:Drum:Drive	75 - 23
B180 1156	Holder:OPC Drum:Ass'y	77 - 1
B180 1162	Shielding Plate:Motor	75 - 2
B180 1170	Paper Feed Motor Ass'y	81 - 17
B180 1172	Tightener:Paper Feed:1:Sub-ass'y	81 - 9
B180 1174	Tightener:Paper Feed:2:Sub-ass'y	81 - 26
B180 1262	Cover:Front	11 - 24
B180 2455	Holder:Development Sleeve	13 - 37
B180 2456	Drum Stay	13 - 18
B180 2531	Transport Sub-unit:Lengthwise	25 - 17
B180 2644	DC Solenoid:Ass'y	29 - 8
B180 2645	Arm:Roller:Release	29 - 7
B180 2652	Bracket:Link	29 - 3
B180 2657	Guide:Arm:Release	29 - 22
B180 2660	Side Plate:Paper Feed:Front:Ass'y	27 - 3
B180 2663	Side Plate:Paper Feed:Rear:Ass'y	27 - 13
B180 2667	Hinge:Vertical Transport	27 - 8
B180 2669	Cover:Upper:Registration	27 - 5
B180 2670	Hook:Vertical Transport:Upper:Peen	29 - 1
B180 2672	Hook:Vertical Transport:Lower	29 - 21
B180 2680	Bracket:Micro Switch	27 - 6
B180 2681	Feed Shaft	31 - 5
B180 2683	Hinge:Vertical Transport:Lower	29 - 10
B180 2684	Bushing:Registration:Front:MM8	33 - 6
B180 2686	Registration Roller:Driven:Ass'y	27 - 9
B180 2701	Paper Feed Unit:No.1:Ass'y	21 - 1

Part No.	Description	Page and Index No.
B180 2702	Paper Feed Unit:No.2:Ass'y	23 - 1
B180 2717	Stay:Feed	21 - 2
B180 2725	Stay:Separate:No.2:Ass'y	23 - 27
B180 2727	Stay:Separate:No.1:Ass'y	21 - 35
B180 2768	Paper Tray:No.1:A4:Ass'y	17 - 1
B180 2772	Paper Tray:No.2:Ass'y	19 - 1
B180 2777	Side Fence:Front:Fix:Adhesion	17 - 2
B180 2779	Side Fence:Rear:Fix:Adhesion	17 - 9
B180 2780	Stay:Feed	23 - 2
B180 2781	Side Fence:Front:Universal:Ass'y	19 - 6
B180 2782	Seal:Tray	19 - 24
B180 2782	Seal:Tray	17 - 12
B180 2783	Side Fence:Rear:Universal:Ass'y	19 - 15
B180 2789	Side Fence:Front:Universal:Adhesion	19 - 9
B180 2790	Side Fence:Rear:Universal:Adhesion	19 - 19
B180 2793	Plate:Side Fence	17 - 3
B180 2794	Plate:Side Fence:Right	17 - 4
B180 2795	Plate:Side Fence:F2	19 - 10
B180 2796	Plate:Side Fence:Right:F2	19 - 11
B180 2800	DC Motor:Rise:Paper Tray	79 - 10
B180 2801	Holder:Paper Tray	79 - 14
B180 2830	Positioning Plate:Upper:Ass'y	91 - 14
B180 2834	Positioning Plate:Lower:Ass'y	91 - 15
B180 2869	Paper Size Sensor	25 - 15
B180 2871	Shaft:Separator:Driven:Ass'y	31 - 7
B180 2874	Guide Plate:Separator:Adhesion	31 - 21
B180 2876	Shaft:Separator:Drive:Ass'y	31 - 2
B180 2900	Torque Limiter:40mn.m:MM18	23 - 25
B180 2900	Torque Limiter:40mn.m:MM18	21 - 24
B180 2909	Guide:Harness:Paper Size Sensor Board	25 - 12
B180 2914	Guide Plate:Feed	31 - 6
B180 2937	DC Solenoid:Pickup:Sub-ass'y	31 - 15
B180 2972	Lever:Rise:Tray Bottom Plate	19 - 26
B180 2972	Lever:Rise:Tray Bottom Plate	17 - 13
B180 3234	Stopper Pawl:Toner Cartridge:Connector	35 - 13

Part No.	Description	Page and Index No.
B180 3234	Stopper Pawl:Toner Cartridge:Connector	37 - 19
B180 3240	Valve	37 - 10
B180 3301	Air Pump:Toner Supply:Ass'y	37 - 8
B180 3356	Pump:Toner Supply Unit:BK:Sub-ass'y	39 - 12
B180 3357	Pump:Toner Supply Unit:M:Sub-ass'y	39 - 15
B180 3358	Pump:Toner Supply Unit:C:Sub-ass'y	39 - 14
B180 3359	Pump:Toner Supply Unit:Y:Sub-ass'y	39 - 13
B180 3366	Toner Outlet Sub-unit:BK	39 - 8
B180 3640	Slide Rail:Left:Ass'y	89 - 4
B180 3641	Slide Rail:Right:Ass'y	89 - 9
B180 3706	DC Motor:On-Off:Ass'y	77 - 4
B180 3734	Terminal:Brush Roller:Ass'y	43 - 27
B180 3780	Transfer Belt:Ass'y	45 - 1
B180 3788	Guide:Collection Bottle:Ass'y	39 - 5
B180 3789	Toner Outlet Sub-unit:M	39 - 6
B180 3810	Transfer Unit:Ass'y	43 - 21
B180 3830	Cleaning Unit:Transfer Belt:Ass'y	43 - 1
B180 3831	Casing:Cleaning Unit:Ass'y	43 - 17
B180 3903	Guard:Harness:Stay:Right	47 - 14
B180 4066	Thermostat:Welding	51 - 6
B180 4101	Fusing Belt:MM60:Ass'y	53 - 4
B180 4211	Bracket:Pickoff Pawl:Ass'y	51 - 15
B180 4246	Thermofuse:Ass'y	53 - 9
B180 4251	Pickoff Pawl:Pressure:Ass'y	51 - 10
B180 4255	Cleaning Roller:Pressure:Ass'y	51 - 9
B180 4300	Pressure Roller:Ass'y	53 - 7
B180 4411	Paper Exit Sub-unit:FU:Ass'y	55 - 1
B180 4428	Roller:Driven:Exit	63 - 12
B180 4431	Side Plate:Exit:Rear:Peen	55 - 15
B180 4439	Gear:Exit Roller:FU:18z	55 - 18
B180 4442	Gate Pawl:Exit	55 - 13
B180 4446	Guide Plate:Fusing Exit:Upper	55 - 33
B180 4450	Gear:Input:17z/19z	55 - 17
B180 4451	Gear:Idler:21z	55 - 20
B180 4454	Roller:Driven:Fusing Exit:Ass'y	55 - 34

Part No.	Description	Page and Index No.
B180 4457	Bracket:Exit Roller:Floppy Disk	59 - 16
B180 4464	Bracket:Gear:Floppy Disk	59 - 2
B180 4736	Gate Pawl:Duplex	69 - 11
B180 4786	Grip:Duplex	65 - 26
B180 4801	Stepper Motor:Duplex:Ass'y	69 - 4
B180 4801	Stepper Motor:Duplex:Ass'y	71 - 10
B180 4805	Bracket:Base	71 - 6
B180 4806	Bracket:Micro Switch:Reverse Unit	71 - 15
B180 4807	Bracket:Micro Switch	71 - 14
B180 4818	Stay:Upper	67 - 10
B180 4819	Stay:Lower	71 - 24
B180 4841	Link:Duplex	71 - 8
B180 4845	Tightener:Duplex:Ass'y	71 - 27
B180 4845	Tightener:Duplex:Ass'y	69 - 27
B180 4850	Bracket:Shaft:Stopper	59 - 1
B180 4858	Guide Plate:Exit:Lower	71 - 17
B180 4862	Guide Plate:Sensor:Reverse	71 - 23
B180 4863	Bracket:Sensor:Reverse	71 - 22
B180 4866	Guide Plate:Upper	67 - 13
B180 4867	Guide Plate:Entrance:Duplex	67 - 8
B180 4900	Transport Unit:Duplex:Ass'y	73 - 1
B180 4931	Plate:Magnet Catch	73 - 22
B180 4940	Stepper Motor:Transport:Ass'y	73 - 2
B180 4950	Guide Plate:Transport:Lower	73 - 28
B180 4951	Bracket:Duplex:Roller	73 - 27
B180 4995	Bracket:Link:Machine or Copier	77 - 8
B180 5130	PCB:DRB	85 - 13
B180 5280	PCB:DDB	73 - 6
B180 5326	Harness:Fusing:DC	83 - 11
B180 5335	Harness:Power Pack:B	85 - 14
B180 5336	Harness:Power Pack:C	85 - 11
B180 5337	Harness:Drum:Black	85 - 30
B180 5338	Harness:Drum:Collar	85 - 31
B180 5370	Harness:Transfer Unit:Drawer	47 - 28
B180 5371	Harness:High Voltage Line:T-K	45 - 16

Part No.	Description	Page and Index No.
B180 5372	Harness:High Voltage Line:T-Y	49 - 22
B180 5380	Harness:Paper Feed Unit	23 - 13
B180 5380	Harness:Paper Feed Unit	21 - 12
B180 5390	Harness:Toner End Sensor:K	35 - 9
B180 5400	Harness:Transport Unit:Drawer	73 - 16
B180 5401	Harness:Transport Unit:Sensor	73 - 13
B180 5421	Harness:Sync Detector:Cm	15 - 16
B180 5445	Polygon Mirror Motor Board	15 - 2
B180 5450	Photo Refiection Sensor:TM	57 - 12
B180 5452	IC:DSP:JC2:BCU	125 - 2
B180 5631	Bracket:DRB	85 - 15
B180 5660	ASIC:SHAKER4	109 - 1
B180 5680	Guide Plate:Left Upper:Peen	57 - 2
B180 5682	Bracket:Safety Switch:Peen	61 - 18
B180 5685	Shielding Plate:Harness	91 - 16
B180 5991	Bracket:Control Board	87 - 4
B180 6021	Holder:Fusing Unit:Peen	61 - 16
B190 2491	Seal:Guard:PCU	39 - 3
B645 5010	SD-Card:Ass'y	135 - 1
B645 6700	SD-Card:Adapter:BN-SDAA2	135 - 2
B645 6800	SD-Card:USB:Writer:BN-SDCE2	135 - 3
B712 5605	Grip:Application	87 - 12
C401 9503	20X Magnification Scope	135 - 6
G011 3305	Gear - 16Z	25 - 18
G012 3897	Film - Toner End Sensor Harnes	93 - 9
G020 1332	Hinge - Front Cover	11 - 30
G021 9350	Loopback Connector - Parallel	135 - 5
G034 2993	Flanged Hexagonal Head Bolt - M3x6	87 - 15
G034 2993	Flanged Hexagonal Head Bolt - M3x6	73 - 34
G060 1053	Drawer Bracket - Paper Feed Table	81 - 31
G060 1054	Holder:Guide Pin:Paper Feed Table	79 - 11
G060 1054	Holder:Guide Pin:Paper Feed Table	33 - 1
G060 1074	Upper Registration Stay	39 - 10
G060 1079	Holder - Used Collection Bottle	91 - 1
G060 1089	Front Left Supporting Plate	93 - 3

Part No.	Description	Page and Index No.
G060 1091	Rear Fusing Bracket	61 - 2
G060 1099	Supporting Plate:Front Lower	93 - 4
G060 1176	Bracket - Magnetic Clutch 1	81 - 28
G060 1177	Bracket - Magnetic Clutch 2	81 - 29
G060 1196	Duct:PCU:Supporter:Upper	35 - 22
G060 1198	PCU Duct	35 - 23
G060 1199	Inner PCU Duct	75 - 1
G060 1269	Left Rear Cover	13 - 4
G060 1271	Front Cover - Left Lower	13 - 6
G060 1274	Upper Exit Cover	13 - 34
G060 1277	Bracket - Front Cover Hinge	91 - 7
G060 1277	Bracket - Front Cover Hinge	33 - 5
G060 1279	Exit Cover	13 - 33
G060 1281	Louver - Left Rear Cover	13 - 5
G060 1285	Lower Inner Cover	13 - 10
G060 1287	Front Right Cover	13 - 26
G060 1288	Large Cover - Option	11 - 7
G060 1289	Small Cover - Option	11 - 37
G060 1293	Exit End Fence	11 - 15
G060 1300	Filter Case	13 - 3
G060 1555	Upper Controller Duct	85 - 2
G060 1901	Positioning Pin	15 - 22
G060 1908	Thermistor Plate	15 - 12
G060 1972	Shield:Cover:Upper	15 - 14
G060 1975	Lower Cover	15 - 17
G060 2326	Charge Roller Cleaner	47 - 7
G060 2455	Cover - Drum Stay	13 - 13
G060 2456	Spring Plate- Unit Detection Switch	13 - 17
G060 2457	Unit Detection Switch	13 - 15
G060 2461	Nut - M7	13 - 14
G060 2602	Spring - Registration	27 - 1
G060 2609	Bracket - Registration Sensor	33 - 11
G060 2617	Middle Guide Plate	33 - 26
G060 2618	Guide Plate:Middle:Lower:Adhesion	33 - 27
G060 2620	Entrance Middle Guide	33 - 28

Part No.	Description	Page and Index No.
G060 2626	Transport Drive Roller - Middle	33 - 25
G060 2627	Transport Drive Roller	33 - 14
G060 2629	Vertical Transport Guide	23 - 18
G060 2630	Guide Plate:Swivel:Adhesion	23 - 38
G060 2633	Guide:Middle:Lower	33 - 29
G060 2651	Rear Bushing - M6	27 - 14
G060 2652	Bushing - M4	69 - 24
G060 2652	Bushing - M4	33 - 20
G060 2652	Bushing - M4	29 - 12
G060 2652	Bushing - M4	73 - 18
G060 2652	Bushing - M4	65 - 12
G060 2674	Torsion Spring - Vertical Transport	29 - 20
G060 2681	Knob - Vertical Transport	33 - 24
G060 2685	Registration Drive Roller	33 - 7
G060 2689	Shaft - Separation Driven	23 - 26
G060 2689	Shaft - Separation Driven	21 - 25
G060 2690	Lever - Vertical Transport	29 - 18
G060 2724	Upper Guide - Paper Feed Unit	21 - 19
G060 2770	Tray Bottom Plate:Ass'y	19 - 13
G060 2770	Tray Bottom Plate:Ass'y	17 - 7
G060 2774	Lift Shaft	17 - 14
G060 2774	Lift Shaft	19 - 25
G060 2775	Spring Plate - Paper Tray	17 - 11
G060 2775	Spring Plate - Paper Tray	19 - 23
G060 2779	Left Supporter	91 - 6
G060 2780	Supporter:Right:Ass'y	91 - 10
G060 2786	Rear Feed Mylar	21 - 26
G060 2797	Paper Size Sensor Board	19 - 22
G060 2806	Tension Spring - Paper Size Sensor Board	19 - 3
G060 2856	Manual Feed Table Ass'y	25 - 6
G060 2865	Cover - Manual Feed Table	25 - 16
G060 2866	Front Side Fence	25 - 7
G060 2867	Rear Side Fence	25 - 8
G060 2905	Paper Guide - Manual Feed Table	25 - 11
G060 2908	Pad - Side Fence	25 - 9

Part No.	Description	Page and Index No.
G060 2928	Housing:Manual Feed	31 - 16
G060 2930	Housing Cover	31 - 1
G060 2931	Feeler - Paper End	31 - 11
G060 2932	Pick-up Arm - Manual Feed	31 - 10
G060 2940	Cover - Lower Manual Feed	25 - 1
G060 2948	Grounding Plate - Reverse	31 - 18
G060 2949	Magnetic Clutch Cover	13 - 28
G060 2950	Spring Plate - Clutch Cover	13 - 29
G060 2972	Safety Switch Feeler	39 - 11
G060 2973	Front Shaft - Manual Feed Table	27 - 4
G060 2974	Rear Shaft - Manual Feed Table	27 - 18
G060 2982	Feed Guide	31 - 19
G060 2989	Screw Driver	11 - 28
G060 3219	Toner Cartridge Holder	35 - 4
G060 3219	Toner Cartridge Holder	37 - 15
G060 3232	Base - Toner Cartridge Stopper	37 - 20
G060 3232	Base - Toner Cartridge Stopper	35 - 14
G060 3233	Toner Cartridge Holder Filter	35 - 20
G060 3236	Tube - K Toner Supply	35 - 11
G060 3237	Tube - Y Toner Supply	39 - 16
G060 3238	Tube - C Toner Supply	39 - 18
G060 3241	Tube - M Toner Supply	39 - 19
G060 3336	Holder:Toner Cartridge:BK:Left	35 - 16
G060 3337	Shield:Holder:Toner Cartridge	35 - 15
G060 3600	Collection Bottle - Transfer Belt	13 - 8
G060 3602	Cap:Bottle	13 - 39
G060 3609	Toner Collection Bottle Decal	133 - 6
G060 3609	Toner Collection Bottle Decal	13 - 9
G060 3623	Collection Bottle Bracket	89 - 5
G060 3626	Used Toner Sensor Spring	91 - 4
G060 3627	Toner Bottle Sensor Feeler	91 - 2
G060 3629	Shield:Holder:Collection Bottle	91 - 3
G060 3677	Lower Transfer Entrance Guide	45 - 39
G060 3680	Back Up Roller - Transfer	45 - 8
G060 3693	Ground Plate:Transfer:K	45 - 10

Part No.	Description	Page and Index No.
G060 3712	Torsion Spring:Shaft:Release:10n	47 - 4
G060 3852	Bushing - Back-up	45 - 6
G060 3852	Bushing - Back-up	49 - 10
G060 3853	Tension Spring - Left Frame	45 - 11
G060 3894	Cam - Front	45 - 19
G060 3896	Joint - Front	45 - 22
G060 3899	Gear - On-Off	45 - 30
G060 3908	Upper Registration Guide	45 - 40
G060 3914	Cover - Bias Roller	45 - 33
G060 3924	Compression Spring - Back Up 3n	49 - 9
G060 3924	Compression Spring - Back Up 3n	45 - 7
G060 3952	Shaft:Toner Collection Coil	43 - 18
G060 3953	Sleeve:Shaft:Toner Collection Coil	43 - 16
G060 3955	Front Spring Plate - Transfer	49 - 20
G060 3956	Rear Spring Plate - Transfer	49 - 13
G060 3977	Gear - Transport Screw	43 - 12
G060 3998	Seal - Sensor	91 - 11
G060 4098	Shaft:Guide	59 - 8
G060 4429	Compression Spring - Exit Driven 1n	55 - 7
G060 4436	Compression Spring - Exit Driven	55 - 36
G060 4447	Driven Roller - M16	55 - 32
G060 4447	Driven Roller - M16	63 - 11
G060 4449	Bushing - M4	55 - 8
G060 4451	Upper Exit Guide Plate	63 - 10
G060 4454	Driven Roller - M13	59 - 17
G060 4455	Guide Plate:Exit:Lower	59 - 19
G060 4458	Gear - 16Z	63 - 16
G060 4459	Gate Pawl	63 - 4
G060 4460	Lever - Gate Pawl	63 - 17
G060 4461	Tension Spring - Gate Pawl	63 - 18
G060 4463	Timing Belt - S2M176	59 - 7
G060 4467	Roller Holder	59 - 18
G060 4479	Shaft - Paper Sensor	63 - 6
G060 4481	Bracket - Paper Sensor	63 - 7
G060 4482	Feeler - Paper Sensor	63 - 8

Part No.	Description	Page and Index No.
G060 4490	Exit Tray	11 - 1
G060 4491	Exit Tray	11 - 34
G060 4492	Sub Exit Tray	11 - 13
G060 4496	Support Plate - Discharge Brush	55 - 25
G060 4820	Relay Guide Plate	89 - 1
G060 4860	Duplex Left Bracket	89 - 3
G060 4865	Duplex Right Bracket	89 - 2
G060 5355	IC - S-GATEX	125 - 3
G060 5530	Harness - Density Sensor	77 - 11
G060 5791	IC - GAPCI	125 - 4
G060 5801	Bracket - Door Switch Lever	61 - 20
G060 5808	Arm - Safety Switch	61 - 23
G060 5813	Bracket - Main Switch	13 - 7
G060 5814	Power Pack Bracket	85 - 12
G060 5823	Bracket - Door Switch	61 - 19
G060 5861	Inner Back Lever - Door Switch	85 - 20
G060 5862	Cap - PSU	85 - 26
G060 5863	Bracket - PSU Fan	85 - 29
G060 5870	Clamp - M4.8	77 - 2
G060 5871	Clamp - M3.5	77 - 3
G060 6031	Bracket - Rear Lever	61 - 11
G060 6032	Bracket - Front Lever	61 - 13
G060 6033	Rear Holder Arm	61 - 7
G060 6034	Front Holder Arm	61 - 14
G060 6035	Detent Roller	61 - 9
G060 6036	Arm Shaft	61 - 10
G060 6037	Detent Shaft	61 - 8
G060 6038	Detent Spring	61 - 6
G060 6039	Grip - Cover	61 - 12
G060 6040	Cover - Fusing Unit Holder	61 - 5
G065 2767	Lever - Feed	21 - 14
G065 2767	Lever - Feed	23 - 15
G065 2774	Pressure Lever	21 - 32
G065 2774	Pressure Lever	23 - 34
G065 2775	Link Lever	21 - 34

Part No.	Description	Page and Index No.
G065 2775	Link Lever	23 - 36
G065 2776	Release Lever	21 - 28
G065 2776	Release Lever	23 - 30
G077 1042	Duct:Imaging Unit	15 - 21
G077 1268	Rear Cover	11 - 9
G077 1275	Upper Cover - Exit Tray	13 - 32
G077 1560	Duct:Power Supply Unit	85 - 17
G077 1904	Cover:Polygon Scanner:Peen	15 - 1
G077 1906	Shield:Cover:Polygon Scanner:1	15 - 7
G077 1907	Shield:Cover:Polygon Scanner:2	15 - 8
G077 1971	Grip:Imaging Unit	15 - 6
G077 1972	Stopper:Grip	15 - 5
G077 2796	Link:Paper Size Sensor Board	19 - 4
G077 2839	Guide:Remove Paper Dust:Ass'y	27 - 10
G077 4462	Gear:Pulley:18z27t	59 - 3
G080 1036	Gear:Drum:Ass'y	75 - 17
G080 1078	Supporter:Fusing Unit	57 - 5
G080 1080	Holder:Connector	57 - 6
G080 1082	Guide Plate:Transport Unit	93 - 5
G080 1098	Bracket:Option:Front	57 - 14
G080 1099	Bracket:Option:Rear	57 - 1
G080 1109	Bracket:Drive:Manual Feed:Peen	81 - 15
G080 1111	Bracket:Connecting:Peen	79 - 1
G080 1161	Positioning Plate:Shaft:Drive:Manual Feed	81 - 16
G080 1169	Screw:M3	75 - 18
G080 1171	Bracket:Paper Feed:Drive	81 - 25
G080 1183	Duct:Tray:Exit:Ass'y	15 - 20
G080 1224	Inner Cover:Manual Feed:Ass'y	11 - 17
G080 1265	Cover:Right:Upper	11 - 16
G080 1267	Cover:Right:Rear	13 - 27
G080 1272	Cover:Upper:Rear	11 - 8
G080 1282	Inner Cover:Right	13 - 20
G080 1294	Inner Cover:Toner Cartridge	13 - 31
G080 1319	Electrode:Ground Plate	11 - 12
G080 1320	Grip:Cover:Right Upper:Peen	11 - 20

Part No.	Description	Page and Index No.
G080 1321	Band:Stopper:Cover:Right Upper	11 - 14
G080 2526	Shoe:Paper Tray	19 - 21
G080 2540	Cushion:Vertical Transport	23 - 39
G080 2605	Guide Plate:Registration:Lower:Adhesion	33 - 10
G080 2612	Guide Plate:Registration:Upper	27 - 11
G080 2614	Guide Plate:Registration:Middle	27 - 12
G080 2621	Guide Plate:Duplex:Exit:Upper	33 - 15
G080 2622	Guide Plate:Duplex:Exit:Lower	33 - 22
G080 2623	Guide:Turn	33 - 23
G080 2635	Bracket:Sensor:Paper Feed	33 - 18
G080 2643	Guide Plate:Vertical Transport	29 - 6
G080 2649	Slider:Registration:Release	29 - 4
G080 2650	Bushing:Registration:Front:Driven	27 - 2
G080 2651	Link:Pressure Release:Registration	29 - 2
G080 2656	Compression Spring:Driven:2n	29 - 13
G080 2668	Cover:Vertical Transport	29 - 17
G080 2673	Shaft:Grip	29 - 19
G080 2680	Bushing:Registration:Rear:M8	33 - 8
G080 2682	Bushing:Feed	31 - 17
G080 2761	Arm:Pickup	21 - 9
G080 2761	Arm:Pickup	23 - 10
G080 2762	Guide Plate:Paper Feed Unit	23 - 20
G080 2762	Guide Plate:Paper Feed Unit	21 - 18
G080 2763	Ground Plate:Front:Paper Feed Unit	21 - 15
G080 2900	Torque Limiter	25 - 23
G080 2952	Torsion Spring:Cover:Right	25 - 2
G080 2953	Torsion Spring:Cover:Left	25 - 4
G080 3214	Tube:Air Pump:MC	37 - 12
G080 3215	Tube:Air Pump:BK	37 - 11
G080 3216	Nozzle:YMC	37 - 17
G080 3222	Nozzle:BK	35 - 6
G080 3240	Tube:Air Pump:Y	37 - 13
G080 3241	Tube:Valve:BK	35 - 7
G080 3243	Toner Supply Unit Holder Pad	37 - 6
G080 3301	Air Pump:Toner Supply	37 - 9

Part No.	Description	Page and Index No.
G080 3331	Holder:Toner Cartridge:BK:Rear	35 - 18
G080 3332	Holder:Toner Cartridge:BK:Front	35 - 17
G080 3336	Holder:Toner Cartridge:BK:Right	35 - 21
G080 3611	Bracket:Density Sensor:Ass'y	57 - 9
G080 3620	Guide Plate:Transfer:Exit	57 - 8
G080 3621	Cover:Density Sensor	57 - 7
G080 3716	Bracket:Cleaning Blade:Ass'y	43 - 8
G080 3731	Case:Coating Bar	43 - 3
G080 3732	Shield:Cleaning Unit	43 - 2
G080 3733	Dual Faces Tepe:Entrance Seal	43 - 4
G080 3740	Holder:Brush Roller:Front:Ass'y	43 - 14
G080 3745	Lever:Release:Cleaning Blade	43 - 13
G080 3855	Transfer Roller	45 - 5
G080 3855	Transfer Roller	49 - 7
G080 3860	Frame:BK	45 - 12
G080 3862	Bushing:Roller:Back Up	49 - 3
G080 3863	Terminal:Transfer Roller:BK	45 - 13
G080 3864	Roller:Back Up:Ass'y	49 - 11
G080 3866	Terminal:Roller:Exit:Ass'y	45 - 15
G080 3867	Holder:Frame:BK:Front	45 - 9
G080 3868	Holder:Frame:BK:Rear	45 - 14
G080 3870	Frame:Collar	49 - 17
G080 3875	Ground Plate:Connecting:1	49 - 16
G080 3880	Ground Plate:Roller:Back Up	49 - 19
G080 3881	Terminal:Transfer Roller:Magenta	49 - 12
G080 3882	Terminal:Transfer Roller:Cyan	49 - 21
G080 3883	Terminal:Earth:Magenta	49 - 18
G080 3884	Terminal:Earth:Cyan	49 - 14
G080 3886	Spring Plate:Ground Plate:Cyan	49 - 15
G080 3890	Frame:Front:Ass'y	47 - 25
G080 3897	Bracket:Drawer	47 - 29
G080 3900	Stay:Right:Ass'y	47 - 16
G080 3904	Stay:Left:Ass'y	47 - 5
G080 3908	Shaft:Release:Ass'y	47 - 3
G080 3910	Drive Roller:Ass'y	47 - 2

Part No.	Description	Page and Index No.
G080 3919	Drive Roller Cleaner Bushing	47 - 6
G080 3920	Roller:Tension	47 - 12
G080 3921	Bracket:Roller:Tension:Front	47 - 23
G080 3922	Bracket:Roller:Tension:Rear	47 - 27
G080 3923	Ground Plate:Magenta:Ass'y	49 - 8
G080 3925	Ground Plate:Y:Ass'y	49 - 1
G080 3931	Bracket:On-Off:Front:Ass'y	45 - 24
G080 3934	Bracket:On-Off:Rear:Ass'y	45 - 29
G080 3936	Shaft:On-Off	45 - 18
G080 3941	Roller:Roller:Driven	45 - 27
G080 3942	Roller:Roller:Driven:Entrance	45 - 26
G080 3943	Spacer:0.5mm	47 - 10
G080 3945	Roller:Driven:Left Lower	47 - 9
G080 3946	Bracket:Roller:Driven:Peen	47 - 11
G080 3950	Bracket:Guide:Right Lower	45 - 21
G080 3951	Bracket:Guide:Left:Ass'y	45 - 17
G080 3960	Guide Plate:Entrance:Transfer	45 - 38
G080 3965	Roller:Bias:Ass'y	45 - 32
G080 3967	Terminal:Bias	45 - 34
G080 3968	Terminal:Roller:Bias	45 - 36
G080 3985	Tightener:Drive:Peen	47 - 18
G080 3990	Drum Stay:Transfer Unit:Peen	43 - 26
G080 3993	Lever:Release	43 - 22
G080 3994	Cover:Transfer Unit	43 - 23
G080 4197	Spacer:Heater	51 - 7
G080 4210	Fusing Entrance Guide Plate	53 - 10
G080 4430	Cover:Exit	55 - 26
G080 4435	Side Plate:Exit:Front	55 - 28
G080 4436	Stay:Exit:Upper	55 - 4
G080 4437	Stay:Exit:Lower	55 - 23
G080 4438	Pulley:Exit Roller:20t	55 - 29
G080 4440	Guide Plate:Exit:Connecting	55 - 5
G080 4441	Link:Gate Pawl:Exit	55 - 11
G080 4444	Cover:Exit:Lock:Duplex	55 - 37
G080 4445	Timing Belt:S2m186	55 - 30

Part No.	Description	Page and Index No.
G080 4447	Torsion Spring:Gate Pawl:Exit	55 - 12
G080 4449	Guide Plate:Exit:Entrance:Lower	55 - 22
G080 4456	Bracket:Magnet Catch:Front	55 - 31
G080 4457	Bracket:Magnet Catch:Rear	55 - 2
G080 4460	Side Plate:Exit:Fd:Front	59 - 20
G080 4461	Side Plate:Exit:Fd:Rear	59 - 4
G080 4462	Stay:Exit:Floppy Disk:Lower	59 - 14
G080 4463	Stay:Exit:Fd:Upper	89 - 10
G080 4464	Bracket:Idler:FD:Peen	63 - 1
G080 4471	DC Solenoid:Gate Pawl:Exit:Ass'y	61 - 1
G080 5457	Harness:DRB	83 - 9
G080 5457	Harness:DRB	85 - 22
G080 5479	Harness:Manual Feed Unit	31 - 13
G080 5480	Harness:Registration Sensor	33 - 13
G080 5482	Harness:Paper Feed Unit:Sensor	33 - 17
G080 5491	Harness:Sensor:On-Off	91 - 13
G080 5492	Harness:ID:K	35 - 1
G080 5493	Harness:Set Sensor:Bottle	89 - 7
G080 5495	Harness:Sensor:TM	57 - 10
G080 5501	Harness:Vertical Transport:Safety Switch	27 - 7
G080 5506	Harness:Vertical Transport	29 - 9
G080 5805	Bracket:Auxiliary:Peen	61 - 22
G080 5807	Lever:Door Switch	61 - 21
G080 5815	Heater Cover	93 - 6
G080 5816	Bracket:Switch:Heater	79 - 15
G080 5832	Stay:Auxiliary:DRB	77 - 7
G080 5833	Bracket:Edge Saddle:DRB	85 - 16
G080 6041	Bracket:Drawer:Fusing	57 - 4
G106 1076	Guide:Development Unit:Left	39 - 9
G106 1480	Guide Plate:Operation Panel	89 - 11
G106 1556	Duct:Control Section:Lower	85 - 3
G106 2481	Spring:Drum Stay:Left	13 - 22
G106 2482	Spring:Drum Stay:Right	13 - 24
G106 3328	Shielding Plate:Development:BK:EXP:Ass'y	35 - 24
G106 3329	Shielding Plate:Development:C:EXP:Ass'y	35 - 28

Part No.	Description	Page and Index No.
G106 3330	Shielding Plate:Development:M:EXP:Ass'y	35 - 30
G106 3331	Shielding Plate:Development:Y:EXP:Ass'y	35 - 26
G106 3861	Bushing - Front Transfer Roller	45 - 3
G106 3861	Bushing - Front Transfer Roller	49 - 6
G106 3862	Bushing - Rear Transfer Roller	49 - 24
G106 3862	Bushing - Rear Transfer Roller	45 - 41
G106 5360	Harness - Operation Sub-unit	11 - 5
G106 5447	Harness - Polygon Mirror Motor	15 - 3
G106 5602	Upper Application Rack	83 - 4
G106 5606	Lower Application Rack	83 - 7
G106 5609	Rear Application Rack	83 - 2
G106 5625	Left Rack Cover	83 - 6
G106 5626	Right Rack Cover	83 - 3
G106 5631	Sub Power Supply Unit Bracket	79 - 9
G106 5645	Lower Shielding Plate	91 - 8
G106 6106	Sheet:Operate:J-p3:EXP	11 - 26
G106 8550	Decal - Paper Jam	133 - 11
G106 8550	Decal - Paper Jam	11 - 33
G107 2798	Paper Size Sensor Cover	19 - 2
G107 3830	Encoder:Ass'y	47 - 17
G107 3832	Encoder Plate	47 - 31
G107 3895	Rear Frame Ass'y	47 - 30
G107 3898	Roller:Back Up:Ass'y	49 - 4
G107 3980	Stepper Motor:Transfer Belt:Press Fit	43 - 25
G107 4190	Fusing Nut	51 - 8
G108 5107	Left Guide 1	87 - 18
G108 5108	Right Guide 1	87 - 7
G260 0151	Development Section:Service:J-P4:C	41 - 4
G260 0152	Development Section:Service:J-P4:M	41 - 2
G260 0153	Development Section:Service:J-P4:Y	41 - 3
G308 5803	Cover:HDD	87 - 11
G348 3855	Cover:Duplex:Driver	73 - 7
G348 3930	Grip:Transport Unit:Duplex	73 - 33
G348 4682	Sheet:Gate:2	69 - 16
G348 4687	Cover:Photointerruptor	69 - 8

Part No.	Description	Page and Index No.
G381 5602	HDD Bracket	87 - 9
G381 5801	Harness:Ide:HDD:Ass'y	87 - 14
G381 5802	Harness:Power Source:HDD:Ass'y	87 - 13
G382 0250	Reverse Unit:Duplex:Ass'y	65 - 1
G382 5260	PCB:DCB	71 - 2
G571 1069	Switchback Guide	65 - 27
G571 3850	Guide Plate:Transport:Upper	73 - 15
G571 3856	Grounding Wire - Transport	73 - 29
G571 3857	Spring - Transport	73 - 10
G571 3858	Grounding Plate - Rear Left	73 - 8
G571 3859	Grounding Plate - Rear Right	73 - 9
G571 3860	Duplex Transport Cover	73 - 32
G571 3902	Band - Transport Unit	73 - 21
G571 3920	Guide Plate - Transport Unit	73 - 11
G571 4632	Front Pawl - Un Lock	67 - 7
G571 4633	Rear Pawl - Un Lock	67 - 5
G571 4634	Grounding Plate - Un Lock Shaft	69 - 26
G571 4635	Grip - Un Lock	65 - 17
G571 4652	Middle Guide Plate	69 - 22
G571 4653	Left Middle Guide Plate	69 - 17
G571 4656	Guide Plate - Gate	69 - 6
G571 4664	Bracket - Paper Feed Sensor	67 - 12
G571 4673	Gate Seal	69 - 20
G571 4675	Feeler - Paper Feed Sensor	69 - 15
G571 4676	Front Gate Seal	69 - 21
G571 4677	Raer Gate Seal	69 - 18
G571 4678	Shield:Gate:Auxiliary	69 - 19
G571 4683	Middle Gate Sheet	69 - 5
G571 4701	Cover - Duplex Unit	65 - 2
G571 4706	Front Inner Cover - Duplex Unit	65 - 18
G571 4707	Rear Inner Cover - Duplex Unit	65 - 14
G571 4712	Cover - Vertical Transport	65 - 5
G571 4713	Upper Guide Plate	65 - 13
G571 4714	Lower Guide Plate	65 - 16
G571 4716	Band - Vertical Transport	65 - 7

Part No.	Description	Page and Index No.
G571 4811	Link - DC Solenoid	67 - 2
G571 5542	Harness - Reverse Unit/Safety SW	71 - 4
G571 5544	Harness - Reverse Unit/Solenoid	67 - 1
G571 5545	Harness - Reverse Unit/Sensor 2	71 - 3
G571 5546	Harness - Reverse Unit/Interface	71 - 1
G571 5547	Harness - Reverse Unit/Sensor	71 - 5
G588 5140	Plug - IEEE1284 TYPE C	135 - 9
H001 2132	Stop Ring - Knob	85 - 6
H012 1181	Bushing- 6mm	47 - 24
H072 2236	Spacer - M12x6.2	79 - 2
H519 1157	Bushing	45 - 35

Part No.	Description	Page and Index No.
AA00 0217	Decal - LD 655	133 - 3
AA00 0217	Decal - LD 655	15 - 9
AA00 0218	Caution Decal	133 - 2
AA00 0218	Caution Decal	15 - 10
AA00 0401	Decal - High Temperature	133 - 4
AA00 0401	Decal - High Temperature	93 - 10
AA04 3298	Timing Belt:Drive:Transfer Belt	47 - 1
AA04 3558	Timing Belt - S2M310	71 - 25
AA04 3559	Timing Belt - S2M370	77 - 5
AA04 3559	Timing Belt - S2M370	67 - 24
AA04 3560	Timing Belt - S2M120	71 - 11
AA04 3560	Timing Belt - S2M120	69 - 1
AA04 3561	Timing Belt - 40S3M318	81 - 2
AA04 3562	Timing Belt - 40S3M384	81 - 30
AA04 3563	Timing Belt - 40S3M162	81 - 19
AA04 3925	Timing Belt - S2M668	81 - 10
AA04 3926	Timing Belt - S2M150	73 - 3
AA04 3927	Timing Belt - S2M232	73 - 30
AA06 0691	Tension Spring	23 - 11
AA06 0691	Tension Spring	21 - 10
AA06 0693	Tension Spring	21 - 16
AA06 0693	Tension Spring	23 - 37
AA06 0857	Spring - Gate Pawl	69 - 10
AA06 0859	Spring - Tightener	69 - 28
AA06 0859	Spring - Tightener	71 - 16
AA06 0860	Spring - Un Lock	67 - 21
AA06 0861	Pressure Spring	67 - 16
AA06 0862	Tension Spring	79 - 3
AA06 0863	Tension Spring	81 - 8
AA06 0908	Release Spring	21 - 33
AA06 0908	Release Spring	23 - 35
AA06 0917	Tension Spring:Tension:Transfer Belt	47 - 21
AA06 0919	Tension Spring:Tightener	47 - 19
AA06 0921	Tension Spring:Shutter	57 - 11
AA06 0931	Tension Spring:Pressure:Bias	45 - 37

Part No.	Description	Page and Index No.
AA06 0978	Tension Spring:80n:DIA1.6	65 - 23
AA06 0983	Spring:Blade	43 - 9
AA06 0995	Tension Spring:Stripper Pawls	51 - 4
AA06 3408	Spring - 8n	33 - 19
AA06 3499	Pressure Spring	31 - 23
AA06 3568	Pressure Spring	31 - 9
AA06 3613	Compression Spring	85 - 21
AA06 3616	Spring - 8n	29 - 14
AA06 3616	Spring - 8n	73 - 20
AA06 3616	Spring - 8n	65 - 11
AA06 3617	Pressure Spring - Duplex Transport	73 - 19
AA06 3627	Coil - Tube Fuard	39 - 17
AA06 3627	Coil - Tube Fuard	35 - 10
AA06 3638	Compression Spring	85 - 19
AA06 3645	Duplex Exitpressure Spring	69 - 23
AA06 3645	Duplex Exitpressure Spring	65 - 10
AA06 3656	Guide Coil - M Tube	39 - 2
AA06 3663	Compression Spring:4.9n	35 - 5
AA06 3663	Compression Spring:4.9n	37 - 16
AA06 3890	Compression Spring:Pressure:Transfer Roller	49 - 5
AA06 3890	Compression Spring:Pressure:Transfer Roller	45 - 4
AA06 3891	Compression Spring:Roller:Back Up	49 - 2
AA06 3892	Compression Spring:Earth	49 - 25
AA06 6586	Torsion Spring - Guide Plate	67 - 9
AA06 6587	Torsion Spring - Link	71 - 7
AA06 6593	Torsion Spring - Paper Feed Sensor	69 - 14
AA06 6666	Spring:Pickoff Pawl:33mn	51 - 11
AA07 0068	Slide Rail:110mm	61 - 17
AA08 0257	Bushing - M6	75 - 4
AA08 0285	Bushing:MM6	43 - 19
AA08 0307	Bushing - M4	67 - 15
AA08 2075	Bushing - M6	55 - 19
AA08 2101	Bushing - 6x10x6	21 - 8
AA08 2101	Bushing - 6x10x6	31 - 4
AA08 2101	Bushing - 6x10x6	33 - 3

Part No.	Description	Page and Index No.
AA08 2101	Bushing - 6x10x6	55 - 16
AA08 2101	Bushing - 6x10x6	59 - 5
AA08 2101	Bushing - 6x10x6	69 - 3
AA08 2101	Bushing - 6x10x6	71 - 13
AA08 2101	Bushing - 6x10x6	75 - 13
AA08 2101	Bushing - 6x10x6	63 - 15
AA08 2101	Bushing - 6x10x6	23 - 9
AA08 2101	Bushing - 6x10x6	11 - 18
AA08 2101	Bushing - 6x10x6	67 - 4
AA08 2102	Bushing - 6x10x6	73 - 5
AA08 2102	Bushing - 6x10x6	81 - 23
AA08 2102	Bushing - 6x10x6	21 - 21
AA08 2102	Bushing - 6x10x6	23 - 22
AA08 2104	Bushing - 8x12x7	23 - 16
AA08 2104	Bushing - 8x12x7	33 - 2
AA08 2125	Bushing:On-Off	45 - 23
AA10 0013	Snap Ring M6	81 - 3
AA10 0014	Retaining Ring C - Separate	23 - 6
AA10 0014	Retaining Ring C - Separate	25 - 19
AA10 0014	Retaining Ring C - Separate	21 - 5
AA12 0102	Discharge Brush - Exit	63 - 13
AA12 0102	Discharge Brush - Exit	55 - 24
AA12 0102	Discharge Brush - Exit	67 - 17
AA13 2218	Spacer:Bracket:On-Off	45 - 20
AA13 2222	Spacer:DIA6:1mm	75 - 21
AA14 0655	Shaft - Paper Feed	23 - 14
AA14 0655	Shaft - Paper Feed	21 - 13
AA14 0656	Shaft - Gear	21 - 30
AA14 0656	Shaft - Gear	23 - 32
AA14 0833	Shaft:Positioning Pin	47 - 8
AA14 0836	Shaft:Positioning Pin:Right	47 - 13
AA14 3219	Stepped Screw	77 - 10
AA14 3219	Stepped Screw	13 - 35
AA14 3499	Stepped Screw	87 - 8
AA14 3520	Shoulder Screw - M3	59 - 11

Part No.	Description	Page and Index No.
AA14 3520	Shoulder Screw - M3	51 - 2
AA14 3540	Spring Anchor Pin	65 - 24
AA14 3544	Screw - M3	37 - 7
AA14 3544	Screw - M3	91 - 5
AA14 3716	Stepped Screw	55 - 6
AA14 3799	Full Dug Point Screw:M4:Dia2.4	67 - 3
AA14 3800	Stepped Screw - M3	29 - 5
AA14 8650	Grip Shaft	65 - 22
AA15 3461	Holder Seal	37 - 14
AA15 3461	Holder Seal	35 - 3
AA16 1125	Rubber Cushion	87 - 10
AB01 0106	Gear - 24Z	23 - 31
AB01 0106	Gear - 24Z	21 - 29
AB01 0107	Gear - 23Z	23 - 33
AB01 0107	Gear - 23Z	21 - 31
AB01 0114	Gear - Bias Roller	45 - 31
AB01 0121	Gear:Drum:Z303:M0.3	75 - 16
AB01 0122	Gear:Middle:Collar:Z140	75 - 20
AB01 0128	Gear:Roller:Driven	45 - 25
AB01 1188	Gear - 21Z	23 - 5
AB01 1188	Gear - 21Z	21 - 4
AB01 1218	Gear - Roller Clutch	23 - 8
AB01 1218	Gear - Roller Clutch	21 - 7
AB01 1241	Gear - Z15	81 - 13
AB01 1387	Gear - 23Z	31 - 8
AB01 1417	Gear - Separation Driven	31 - 3
AB01 1418	Gear - 27Z	27 - 15
AB01 1480	Gear:Brush Roller:Front	43 - 10
AB01 1481	Gear:Idler:Cleaning Unit	43 - 11
AB01 2022	Gear:Pressure:Drive	53 - 1
AB01 2024	Gear:Idler:Pressure:Exit:Z19	53 - 2
AB01 2039	Gear:Idler:Drive	53 - 3
AB01 2043	Gear:Fusing	53 - 5
AB01 2321	Gear:Pulley:25z:30t	59 - 6
AB01 2322	Gear:Idler:29z	63 - 2

Part No.	Description	Page and Index No.
AB01 2323	Gear:Idler:19z	63 - 3
AB01 3868	Gear - 16Z	19 - 27
AB01 4037	Gear - 24Z	81 - 27
AB01 4038	Gear - 22Z	81 - 21
AB01 7542	Gear - 15Z/30Z	81 - 18
AB01 7543	Gear - Z25/T26	81 - 6
AB01 7544	Gear - Z25/T20	81 - 24
AB01 7545	Gear - Z28/Z21	81 - 7
AB01 7633	Gear:Toner Recycling:Z105-t28	75 - 22
AB01 7634	Gear - Z18/Z29	81 - 14
AB01 7635	Gear - Z15/Z17	81 - 11
AB01 7641	Gear - Z28/T35	81 - 1
AB01 7691	Gear:29Z/31T	81 - 12
AB03 0682	Pulley - 30T	71 - 12
AB03 0682	Pulley - 30T	69 - 2
AB03 0682	Pulley - 30T	67 - 23
AB03 0690	Timing Pulley - T20	81 - 5
AB03 0691	Pulley - 24T	73 - 31
AB03 0692	Pulley - 30T	71 - 26
AB03 0692	Pulley - 30T	73 - 4
AB03 0692	Pulley - 30T	67 - 25
AB03 0693	Pulley - 30T	67 - 22
AB03 0710	Timing Pulley - 20T	81 - 20
AB03 0739	Pulley:Tightener	47 - 20
AB03 0775	Pulley:Idler	79 - 7
AB03 0776	Timing Pulley	79 - 5
AC01 5035	Shield Glass	15 - 18
AD04 2066	Brush Roller:Cleaning	43 - 6
AD04 2081	Cleaning Blade:Ass'y	43 - 7
AD04 3081	Toner Collection Coil:Cleaning	43 - 15
AD04 7034	Entrance Seal:Cleaning	43 - 5
AE01 0055	Hot Roller:DIA29.5	53 - 6
AE02 0155	Pressure Roller:DIA42	53 - 8
AE04 0042	Oil Supply Roller:Pressure:DIA16	51 - 17
AE04 2080	Cleaning Roller:Ass'y	51 - 16

Part No.	Description	Page and Index No.
AE04 4050	Stripper Pawl	51 - 12
AE04 4066	Stripper Pawls:Pfa	51 - 5
AF01 3006	Bottom Plate Pad	19 - 14
AF01 3006	Bottom Plate Pad	17 - 8
AF01 3016	Bottom Plate Pad	31 - 22
AF01 7023	End Fence	17 - 6
AF01 7024	End Fence - Universal	19 - 12
AF02 0404	Transport Roller	23 - 3
AF02 0615	Reverse Roller:Duplex	69 - 13
AF02 0615	Reverse Roller:Duplex	71 - 20
AF02 0616	Transport Roller:Duplex:Reverse	71 - 19
AF02 0617	Exit Roller:Duplex	67 - 20
AF02 0617	Exit Roller:Duplex	71 - 18
AF02 0618	Transport Roller:Reverse Unit:FU	67 - 19
AF02 0619	Exit Roller:Reverse Unit:FU	67 - 18
AF02 0620	Roller:Feed Paper Again:Duplex	73 - 12
AF02 0621	Transport Roller:Duplex:Transport	73 - 17
AF02 2128	Transport Driven Roller	69 - 25
AF02 2128	Transport Driven Roller	65 - 9
AF02 2128	Transport Driven Roller	73 - 25
AF02 2158	Roller:Driven:2xmm17	29 - 15
AF02 2159	Roller:Driven:3xmm17	29 - 16
AF02 2160	Roller:Driven:3xmm16	65 - 8
AF02 2160	Roller:Driven:3xmm16	33 - 21
AF02 2160	Roller:Driven:3xmm16	73 - 26
AF02 2161	Roller:Driven:2xmm16	67 - 14
AF02 2161	Roller:Driven:2xmm16	73 - 24
AF03 0049	Pick-up Roller	21 - 3
AF03 0049	Pick-up Roller	25 - 21
AF03 0049	Pick-up Roller	23 - 4
AF03 1046	Feed Roller - Manual Feed	25 - 20
AF03 1049	Feed Roller	21 - 6
AF03 1049	Feed Roller	23 - 7
AF03 2046	Separation Roller - Manual Feed	25 - 22
AF03 2049	Separation Roller	23 - 24

Part No.	Description	Page and Index No.
AF03 2049	Separation Roller	21 - 23
AF04 0614	Roller:Driven:Connecting	55 - 35
AF04 0616	Transport Roller:Exit	55 - 10
AF04 0617	Transport Roller:Floppy Disk	63 - 9
AF04 0618	Exit Roller:Floppy Disk	59 - 15
AF04 0619	Exit Roller:FU	55 - 14
AF04 0620	Roller:Driven:FU	55 - 9
AG07 0021	Magnet Catch:37n	55 - 3
AG07 0514	Magnet Catch:Ass'y	73 - 23
AG07 1012	Magnet Catch:Ass'y	13 - 19
AG07 1012	Magnet Catch:Ass'y	65 - 6
AW01 0106	Paper Feed Sensor	33 - 12
AW01 0106	Paper Feed Sensor	71 - 21
AW01 0107	Paper Feed Sensor	33 - 16
AW01 6002	Home Position Sensor	47 - 15
AW02 0145	Photointerruptor:Flat	31 - 14
AW02 0145	Photointerruptor:Flat	57 - 16
AW02 0145	Photointerruptor:Flat	91 - 12
AW02 0145	Photointerruptor:Flat	63 - 5
AW02 0145	Photointerruptor:Flat	21 - 11
AW02 0145	Photointerruptor:Flat	75 - 11
AW02 0145	Photointerruptor:Flat	23 - 12
AW02 0145	Photointerruptor:Flat	81 - 32
AW02 0145	Photointerruptor:Flat	69 - 12
AW02 0147	Photointerruptor:Feeler:Square	89 - 6
AW02 0147	Photointerruptor:Feeler:Square	67 - 11
AW02 0147	Photointerruptor:Feeler:Square	69 - 7
AW02 0147	Photointerruptor:Feeler:Square	63 - 14
AW02 0151	Photointerruptor	29 - 11
AW02 0152	Photointerruptor	73 - 14
AW02 0153	Toner End Sensor	35 - 8
AW02 0153	Toner End Sensor	37 - 18
AW10 0100	Thermistor:Imaging Unit	15 - 13
AW10 0102	Thermistor:Fusing	51 - 1
AW10 0103	Thermistor:Pressure	53 - 11

Part No.	Description	Page and Index No.
AW14 0013	Humidity Sensor:RHU-235	37 - 2
AW50 0023	Push Switch	79 - 13
AW50 0023	Push Switch	37 - 3
AW50 0023	Push Switch	77 - 9
AW50 0025	Set Sensor - Collection Bottle	89 - 8
AX06 0286	Polygon Mirror Motor	15 - 4
AX06 0288	Brushless Motor:Drum:Black	75 - 7
AX06 0289	Brushless Motor:Drum:Collar	75 - 8
AX20 0273	Magnetic Clutch:Development:0.5n.m	75 - 14
AX20 0278	Magnetic Clutch:Registration:28Z	81 - 4
AX20 0279	Magnetic Clutch:Paper Feed:28Z	81 - 22
AX20 0288	Magnetic Clutch:245mn.m	27 - 16
AX31 0045	Total Counter:7fig:24v	13 - 38
AX40 0109	Heater - 120V 9W	93 - 11
AX40 0110	Heater - 230V 9W	93 - 11
AX43 0146	Heater:120V:200W	51 - 13
AX43 0147	Heater:230V:200W	51 - 13
AX44 0231	Heater:120V:1100W	51 - 14
AX44 0232	Heater:230V:1100W	51 - 14
AX64 0158	Fan Motor Mm60/15mm:24V	85 - 34
AX64 0158	Fan Motor Mm60/15mm:24V	93 - 1
AX64 0159	Fan Motor Mm80	85 - 9
AX64 0160	Fan Motor Mm60	85 - 1
AZ23 0136	Sub Power Supply Unit Dom/NA	79 - 8
AZ23 0137	Power Supply Unit - Sub EU/AA J-P3	79 - 8
AZ24 0106	Power Supply Unit:Main:Dom/NA	85 - 18
AZ24 0107	Power Supply Unit:Main:EU/ASIA	85 - 18
AZ32 0142	Power Pack:Tpac1:C1	49 - 23
AZ32 0143	Power Pack:CAC/DC:BDC	85 - 10
GA00 1005	Decal - Z1	65 - 4
GA00 1005	Decal - Z1	133 - 15
GA00 1010	Decal - Grip B2	133 - 16
GA00 1010	Decal - Grip B2	55 - 27
GA00 3009	Sheet - Toner Supply	11 - 10
GA00 3010	Decal - Manual Feed	25 - 10

Part No.	Description	Page and Index No.
GA00 3010	Decal - Manual Feed	133 - 17
GA00 3014	Decal - Paper Tray	133 - 18
GA00 3014	Decal - Paper Tray	11 - 32
GA00 3016	Decal - Y Toner Supply	37 - 21
GA00 3016	Decal - Y Toner Supply	133 - 19
GA00 3017	Decal - M Toner Supply	37 - 5
GA00 3017	Decal - M Toner Supply	133 - 20
GA00 3018	Decal - C Toner Supply	37 - 4
GA00 3018	Decal - C Toner Supply	133 - 21
GA00 3019	Decal - K Toner Supply	133 - 22
GA00 3019	Decal - K Toner Supply	35 - 12
GA00 3025	Decal - Drum Stay	133 - 5
GA00 3025	Decal - Drum Stay	13 - 12
GA00 3029	Decal - Vertical Transport	61 - 4
GA00 3029	Decal - Vertical Transport	133 - 23
GA00 3029	Decal - Vertical Transport	65 - 3
GA00 3030	Decal - Shielding Plate Y	35 - 27
GA00 3030	Decal - Shielding Plate Y	133 - 24
GA00 3031	Decal - Shielding Plate M	35 - 19
GA00 3031	Decal - Shielding Plate M	133 - 25
GA00 3032	Decal - Shielding Plate C	35 - 29
GA00 3032	Decal - Shielding Plate C	133 - 26
GA00 3033	Decal - Shielding Plate K	35 - 25
GA00 3033	Decal - Shielding Plate K	133 - 27
GA00 3034	Decal - Energystar	11 - 31
GA00 3034	Decal - Energystar	133 - 28
GA00 3037	Decal - Power Source	133 - 29
GA00 3038	Decal - Inkjet Paper Caution	25 - 5
GA00 3038	Decal - Inkjet Paper Caution	133 - 30
GA00 3038	Decal - Inkjet Paper Caution	11 - 11
GA00 3044	Decal - Vertical Transport 2	133 - 31
GA00 3044	Decal - Vertical Transport 2	31 - 20
GA00 3044	Decal - Vertical Transport 2	25 - 3
GA00 3055	Decal:Fusing Unit:Positioning Display	61 - 15
GA00 3055	Decal:Fusing Unit:Positioning Display	133 - 7

Part No.	Description	Page and Index No.
GA00 3066	Decal:Paper Tray:No.1	133 - 9
GA00 3066	Decal:Paper Tray:No.1	17 - 5
GA00 3067	Decal:Paper Tray:No.2:Left	19 - 5
GA00 3067	Decal:Paper Tray:No.2:Left	133 - 13
GA00 3068	Decal:Paper Tray:No.2:Right	133 - 12
GA00 3068	Decal:Paper Tray:No.2:Right	19 - 28
GA00 3069	Decal:Toner Supply:English	133 - 10
GA00 3069	Decal:Toner Supply:English	11 - 35
GA00 3091	Decal - Grip B1 Ps	61 - 3
GA00 3091	Decal - Grip B1 Ps	133 - 14
GA00 3173	Decal:Shielding Plate:PCU:EXP	35 - 31
GA01 2000	Upper Filter	13 - 1
GA01 2001	Lower Filter	13 - 2
GA14 8006	Tension Contact Point Pin	47 - 22
GA16 2002	Sheet:Cover:Front	11 - 36
GB01 0015	Gear - 61Z	47 - 26
GB01 0016	Gear - 23Z	43 - 20

Part No.	Description	Page and Index No.
0313 0060N	Screw - M3X6	33 -105
0353 0040N	Screw - M3x4	57 -103
0353 0050P	Screw:M3x5	57 -107
0353 0060N	Philips Pan Head Bind Screw - M3x6	87 -102
0353 0080N	Screw:M3x8	59 -104
0354 0060N	Screw-m4x6	17 -102
0354 0060N	Screw-m4x6	19 -104
0360 3006N	Screw - M3X6	29 -101
0450 3006N	Tapping Screw - M3x6	31 -102
0450 3006N	Tapping Screw - M3x6	59 -103
0450 3006N	Tapping Screw - M3x6	33 -109
0450 3008N	Tapping Screw - M3x8	37 -101
0450 3008N	Tapping Screw - M3x8	49 -101
0450 3008N	Tapping Screw - M3x8	75 -106
0450 3008N	Tapping Screw - M3x8	31 -101
0450 3008N	Tapping Screw - M3x8	73 -102
0450 3008N	Tapping Screw - M3x8	51 -104
0450 3008N	Tapping Screw - M3x8	25 -101
0450 3008N	Tapping Screw - M3x8	23 -103
0450 3008N	Tapping Screw - M3x8	53 -101
0450 3008N	Tapping Screw - M3x8	21 -105
0450 3008N	Tapping Screw - M3x8	65 -103
0450 3008N	Tapping Screw - M3x8	35 -101
0450 3008N	Tapping Screw - M3x8	11 -102
0450 3008N	Tapping Screw - M3x8	29 -102
0450 3008N	Tapping Screw - M3x8	55 -102
0450 3008N	Tapping Screw - M3x8	13 -102
0450 3008N	Tapping Screw - M3x8	45 -102
0450 3008N	Tapping Screw - M3x8	69 -103
0450 3008N	Tapping Screw - M3x8	43 -105
0450 4008N	Tapping Screw - M4x8	17 -101
0450 4008N	Tapping Screw - M4x8	19 -103
0451 3006N	Tapping Screw - 3x6	69 -102
0451 3006N	Tapping Screw - 3x6	71 -101
0451 3006N	Tapping Screw - 3x6	29 -103

Part No.	Description	Page and Index No.
0451 3006N	Tapping Screw - 3x6	51 -101
0451 3006N	Tapping Screw - 3x6	63 -102
0451 3006N	Tapping Screw - 3x6	45 -101
0451 3006N	Tapping Screw - 3x6	31 -104
0451 3006N	Tapping Screw - 3x6	33 -102
0451 3006N	Tapping Screw - 3x6	67 -102
0451 3006N	Tapping Screw - 3x6	93 -101
0451 3006N	Tapping Screw - 3x6	43 -101
0451 3006N	Tapping Screw - 3x6	39 -101
0451 3006N	Tapping Screw - 3x6	65 -102
0451 3006N	Tapping Screw - 3x6	81 -101
0451 3006N	Tapping Screw - 3x6	85 -101
0451 3006N	Tapping Screw - 3x6	55 -101
0451 3006N	Tapping Screw - 3x6	83 -101
0451 3006N	Tapping Screw - 3x6	35 -103
0451 3006N	Tapping Screw - 3x6	37 -103
0451 3006N	Tapping Screw - 3x6	75 -101
0451 3006N	Tapping Screw - 3x6	87 -101
0451 3006N	Tapping Screw - 3x6	19 -101
0451 3006N	Tapping Screw - 3x6	89 -102
0451 3006N	Tapping Screw - 3x6	47 -101
0451 3006N	Tapping Screw - 3x6	23 -101
0451 3006N	Tapping Screw - 3x6	59 -102
0451 3006N	Tapping Screw - 3x6	79 -101
0451 3006N	Tapping Screw - 3x6	21 -101
0451 3006N	Tapping Screw - 3x6	27 -101
0451 3006N	Tapping Screw - 3x6	13 -105
0451 3006N	Tapping Screw - 3x6	11 -104
0451 3006N	Tapping Screw - 3x6	57 -102
0451 3006N	Tapping Screw - 3x6	91 -102
0451 3006N	Tapping Screw - 3x6	77 -102
0451 3008N	Tapping Screw - M3x8	39 -102
0451 3008N	Tapping Screw - M3x8	11 -101
0451 3008N	Tapping Screw - M3x8	13 -101
0451 3008N	Tapping Screw - M3x8	37 -102

Part No.	Description	Page and Index No.
0451 3008N	Tapping Screw - M3x8	43 -103
0451 3008N	Tapping Screw - M3x8	35 -102
0451 3008N	Tapping Screw - M3x8	23 -102
0451 3008N	Tapping Screw - M3x8	65 -101
0451 3008N	Tapping Screw - M3x8	21 -103
0451 3008N	Tapping Screw - M3x8	61 -102
0451 3010N	Tapping Screw:3x10	27 -102
0451 3010N	Tapping Screw:3x10	89 -101
0451 3010N	Tapping Screw:3x10	15 -103
0451 3014N	Tapping Screw:3x14	85 -103
0451 4012N	Tapping Screw:4x12	65 -104
0452 3006N	Binding Self-tapping Screw:3x6	15 -104
0452 3008N	Tapping Screw - M3x8	21 -102
0452 3008N	Tapping Screw - M3x8	15 -101
0452 3008N	Tapping Screw - M3x8	19 -102
0452 3008N	Tapping Screw - M3x8	73 -101
0452 3008N	Tapping Screw - M3x8	13 -106
0452 3010N	Binding Self-tapping Screw:3x10	15 -102
0453 3006N	Tapping Screw - M3x6	63 -103
0453 3006N	Tapping Screw - M3x6	71 -105
0453 3014N	Binding Self Tapping Screw 3x14	71 -103
0633 0120G	Parallel Pin - 3x12	47 -110
0720 0030E	Retaining Ring - M3	67 -103
0720 0030E	Retaining Ring - M3	61 -106
0720 0040E	Retaining Ring - M4	27 -104
0720 0040E	Retaining Ring - M4	53 -102
0720 0040E	Retaining Ring - M4	63 -104
0720 0040E	Retaining Ring - M4	31 -103
0720 0040E	Retaining Ring - M4	29 -105
0720 0040E	Retaining Ring - M4	81 -103
0720 0040E	Retaining Ring - M4	59 -105
0720 0040E	Retaining Ring - M4	33 -104
0720 0040E	Retaining Ring - M4	45 -104
0720 0040E	Retaining Ring - M4	23 -104
0720 0040E	Retaining Ring - M4	11 -103

Part No.	Description	Page and Index No.
0720 0040E	Retaining Ring - M4	21 -104
0720 0040E	Retaining Ring - M4	43 -104
0720 0040E	Retaining Ring - M4	47 -102
0720 0060E	Retaining Ring - M6	45 -103
0720 0060E	Retaining Ring - M6	65 -106
0720 0060E	Retaining Ring - M6	17 -103
0720 0060E	Retaining Ring - M6	33 -103
0720 0060E	Retaining Ring - M6	61 -105
0720 0060E	Retaining Ring - M6	23 -105
0720 0060E	Retaining Ring - M6	47 -103
0720 0060E	Retaining Ring - M6	19 -105
0740 3508	Ball Bearing -8x14x4	45 -106
0801 0226	Screw:Unc:#6-32	87 -103
0802 5276	Tapping Screw With Washer - M3x6	69 -101
0802 5276	Tapping Screw With Washer - M3x6	67 -101
0802 5276	Tapping Screw With Washer - M3x6	71 -102
0802 5286	Tapping Screw	85 -102
0802 5286	Tapping Screw	93 -103
0802 5291	Tapping Screw:Round Point:M3x6	61 -101
0802 5291	Tapping Screw:Round Point:M3x6	57 -101
0802 5291	Tapping Screw:Round Point:M3x6	93 -102
0802 5291	Tapping Screw:Round Point:M3x6	83 -102
0802 5291	Tapping Screw:Round Point:M3x6	81 -102
0802 5291	Tapping Screw:Round Point:M3x6	29 -104
0802 5291	Tapping Screw:Round Point:M3x6	91 -101
0802 5291	Tapping Screw:Round Point:M3x6	63 -101
0802 5291	Tapping Screw:Round Point:M3x6	89 -110
0802 5291	Tapping Screw:Round Point:M3x6	13 -107
0802 5291	Tapping Screw:Round Point:M3x6	85 -104
0802 5291	Tapping Screw:Round Point:M3x6	59 -101
0802 5291	Tapping Screw:Round Point:M3x6	27 -103
0802 5292	Tapping Screw:Round Point:M3x8	79 -103
0802 5292	Tapping Screw:Round Point:M3x8	13 -104
0802 5292	Tapping Screw:Round Point:M3x8	33 -101
0802 5296	Tapping Screw - M3x8	77 -101

Part No.	Description	Page and Index No.
0802 5299	Tapping Screw:Washer:3x8	79 -102
0802 5300	Tapping Screw:M3x16	65 -105
0804 6123	Hexagonal Bolt:W/Washer:M3x8	51 -102
0804 6123	Hexagonal Bolt:W/washer:M3x8	43 -102
0805 0089	Retaining Ring - M4	71 -104
0805 0089	Retaining Ring - M4	23 -106
0805 0089	Retaining Ring - M4	75 -103
0805 0089	Retaining Ring - M4	55 -103
0805 0089	Retaining Ring - M4	67 -104
0805 0089	Retaining Ring - M4	21 -106
0805 0089	Retaining Ring - M4	73 -103
0805 0089	Retaining Ring - M4	81 -110
0805 0092	Retaining Ring - 3m	55 -104
0805 3534	Ball Bearing 6x12x4	45 -105
0805 3534	Ball Bearing 6x12x4	47 -104
0805 3535	Ball Bearing 8x14x4	47 -105
0951 4008N	Screw:Polished Round:M4x8	75 -102
0954 3010N	Screw:Polished Round/Spring:M3x10	51 -103
0954 3010N	Screw:Polished Round/Spring:M3x10	53 -103
0957 3008N	Philips Screw - M3x8	51 -105
1102 5303	Connector - 4P	109 -101
1102 6252	Connector - 9P	57 -104
1102 6295	Connector - 2P	125 -101
1102 6295	Connector - 2P	109 -102
1102 6297	Connector - 4P	125 -102
1102 7093	Connector - 53375-0610	125 -103
1102 7094	Connector - 12P	125 -104
1102 7615	Connector - B8B-XH-A	109 -103
1102 8194	Connector - 53375-0210	125 -105
1102 8329	Connector - Usb - UBB-4R-D14C	109 -104
1102 8469	Connector - 55447-0510	125 -106
1102 8472	Connector - 55447-0810	125 -107
1102 8473	Connector - 55447-0910	125 -108
1102 8474	Connector - 5 P	125 -109
1102 8475	Connector - 11P	125 -110

Part No.	Description	Page and Index No.
1102 8477	Connector - 13P	125 -111
1102 8478	Connector - 55447-1410	125 -112
1102 8480	Connector - 55447-1610	125 -113
1102 8481	Connector - 55447-1760	125 -114
1102 8487	Connector - 55451-2610	125 -115
1102 8488	Connector - 5451-2810	125 -116
1102 8489	Connector - 55451-3010	125 -117
1102 8491	Connector - 55451-3410	125 -118
1102 8492	Connector - 55451-3610	125 -119
1102 8493	Connector - 55451-3810	125 -120
1102 8494	Connector - 55451-4010	125 -121
1102 8519	Connector - MI2 99RH139-9236	77 -104
1102 8534	Connector - QR/P17-14S-B	81 -109
1102 8535	Connector - QR/P17-14P-A	79 -110
1102 8832	Connector - DM-3D4-B3210	109 -105
1102 9079	Connector - RHM-88PL-SDK11-1	109 -106
1102 9116	Connector - 353297-5	125 -122
1102 9336	Connector:Fps009-2300-0	109 -107
1102 9386	Connector:Drawer:55949-2631	79 -105
1102 9387	Connector:Drawer:51405-2611	47 -109
1102 9535	Connector - 200PS-JUK-G-B	109 -108
1102 9606	Connector - 200RS-JUK-GB	125 -123
1102 9689	Connector 2-440091-4	109 -109
1102 9887	Connector:52588-3090	109 -110
1102 9890	Connector:5-1605706-2	109 -111
1104 0764	IC Socket - 8 PIN	109 -112
1104 0764	IC Socket - 8 PIN	125 -124
1105 0367	Spacer	83 -105
1105 0367	Spacer	85 -106
1105 0487	Harness Clamp	81 -106
1105 0487	Harness Clamp	27 -109
1105 0487	Harness Clamp	37 -105
1105 0487	Harness Clamp	79 -106
1105 0487	Harness Clamp	75 -105
1105 0487	Harness Clamp	57 -106

Part No.	Description	Page and Index No.
1105 0487	Harness Clamp	77 -105
1105 0487	Harness Clamp	71 -108
1105 0487	Harness Clamp	89 -108
1105 0487	Harness Clamp	33 -108
1105 0488	Harness Clamp	89 -106
1105 0488	Harness Clamp	81 -104
1105 0488	Harness Clamp	77 -107
1105 0488	Harness Clamp	79 -109
1105 0488	Harness Clamp	83 -103
1105 0489	Harness Clamp - LWS 1316	89 -107
1105 0489	Harness Clamp - LWS 1316	81 -108
1105 0490	Harness Clamp - IWS-2218	79 -108
1105 0490	Harness Clamp - IWS-2218	77 -103
1105 0490	Harness Clamp - IWS-2218	83 -104
1105 0511	Harness Clamp - LWS-0306ZC	81 -105
1105 0511	Harness Clamp - LWS-0306ZC	67 -105
1105 0511	Harness Clamp - LWS-0306ZC	91 -103
1105 0511	Harness Clamp - LWS-0306ZC	93 -105
1105 0511	Harness Clamp - LWS-0306ZC	33 -107
1105 0511	Harness Clamp - LWS-0306ZC	79 -107
1105 0511	Harness Clamp - LWS-0306ZC	29 -106
1105 0511	Harness Clamp - LWS-0306ZC	71 -107
1105 0511	Harness Clamp - LWS-0306ZC	63 -105
1105 0511	Harness Clamp - LWS-0306ZC	61 -104
1105 0511	Harness Clamp - LWS-0306ZC	89 -105
1105 0511	Harness Clamp - LWS-0306ZC	27 -107
1105 0511	Harness Clamp - LWS-0306ZC	37 -104
1105 0511	Harness Clamp - LWS-0306ZC	43 -106
1105 0511	Harness Clamp - LWS-0306ZC	57 -105
1105 0511	Harness Clamp - LWS-0306ZC	75 -104
1105 0511	Harness Clamp - LWS-0306ZC	47 -106
1105 0516	Clamp	79 -104
1105 0516	Clamp	91 -104
1105 0516	Clamp	77 -106
1105 0516	Clamp	47 -108

Part No.	Description	Page and Index No.
1105 0516	Clamp	89 -103
1105 0516	Clamp	93 -106
1105 0516	Clamp	27 -108
1105 0522	Edge Saddle - LES0510	75 -107
1105 0522	Edge Saddle - LES0510	37 -106
1105 0522	Edge Saddle - LES0510	47 -107
1105 0522	Edge Saddle - LES0510	31 -105
1105 0522	Edge Saddle - Les0510	35 -104
1105 0522	Edge Saddle - LES0510	93 -104
1105 0522	Edge Saddle - LES0510	61 -103
1105 0522	Edge Saddle - LES0510	89 -104
1105 0522	Edge Saddle - LES0510	59 -106
1105 0522	Edge Saddle - LES0510	81 -107
1105 0551	Clamp:LES-0505	27 -106
1105 0568	Clamp:Lwss-0504	33 -106
1105 0612	Clamp:EDS-0704L-V0	89 -109
1107 0393	Fuse (glass Case) - 8A - 125V	79 -111
1107 1077	Fuse:TF16SN3.15T	79 -112
1107 1077	Fuse:Tf16sn3.15t	125 -125
1107 1095	Fuse - Sst 2	109 -113
1107 1103	Breakers:Ec2a2-020nvzr	85 -105
1107 1127	Fuse:Kms16	125 -126
1150 0373	Power Supply Code:125V 15A NA	11 -105
1150 0377	Power Supply Code:250V:10A:EU	11 -105
1204 1385	Push Switch	109 -114
1204 1543	DIP Switch	109 -115
1204 2521	Micro Switch	27 -105
1204 2521	Micro Switch	71 -106
1204 2608	Rocker Switch:Sddje33900	13 -103
1204 2623	Rocker Switch:AJ7100B	79 -113
1204 2637	DIP SWITCH:71D-04E	125 -127
1206 0080	Primary Lithium Cell:Cr2354/1hf	109 -116
1400 0556	Transistor - DTB143EK	125 -128
1400 0688	TRANSISTOR DTC143ZUA	125 -129
1400 0714	Transistor - 2SD1781KR	109 -117

Part No.	Description	Page and Index No.
1400 0715	Transistor - 2SB1197KR	109 -118
1400 0730	Transistor - 2SD1782K	109 -119
1400 0769	Transistor - 2SA1576A	109 -120
1400 0775	Transistor - 2SC4081	109 -121
1400 0775	Transistor - 2SC4081	125 -130
1400 0810	Transistor:Dtc114eua	125 -131
1400 0810	Transistor:Dtc114eua	109 -122
1400 0981	Transistor - 2SC3052	109 -123
1400 1049	TRANSISTOR:DTA143ZUA	125 -132
1401 0902	Fet:2sk1590	109 -124
1401 1181	Fet - 2sk2157-az	109 -125
1401 1209	IC - HAT2093R	109 -126
1401 1222	Fet:Hat2068r	125 -133
1401 1228	Fet:Si3433dv-e3	109 -127
1401 1234	Fet - Ssm3j02t	109 -128
1401 1296	Fet:Tpc8115	109 -129
1401 1317	Fet - Hat2197r	109 -130
1401 1318	Fet - Hat2198r	109 -131
1401 1320	Fet - Tpc8107	109 -132
1402 0595	Diode Array - DAN202K	125 -134
1402 0596	Diode-array - DAP202K	125 -135
1402 0708	Diode - 1SS272	125 -136
1402 1336	Diode - 1SS355	125 -137
1402 1336	Diode - 1SS355	109 -133
1402 1398	Diode - RB050L-40	109 -134
1402 1530	Diode - RB520S-30	109 -135
1402 1662	Diode:Ptz6.2b	125 -138
1402 1663	Diode - ZTP12B	125 -139
1402 1698	Diode - RB	109 -136
1402 1709	Diode:Ec21qs06g	109 -137
1402 1729	Diode:Udzs18b	125 -140
1403 0907	Diode - SML-310LT	125 -141
1403 0953	LED - SML-310MT	109 -138
1403 0953	LED - SML-310MT	125 -142
1403 0996	LED - SML-310VT	109 -139

Part No.	Description	Page and Index No.
1403 1033	LED - SML-310YT	125 -143
1407 1362	UVEPROM:27128	83 -106
1407 1535	IC - TD62308AP	125 -144
1407 2187	TTLIC - SN74LS07NS	125 -145
1407 2219	IC - TD62003AP	125 -146
1407 3281	IC - TC74HCU04AF	125 -147
1407 4687	IC - TA8083F	125 -148
1407 4919	IC - 74VHCT244 TSSOP	109 -140
1407 5140	IC:Tc74vhct14af	109 -141
1407 5151	IC - MBM29F160TE70TN	125 -149
1407 5161	Cpu- Hd64f2633wf25	125 -150
1407 5300	CMOS Logic - 74LVC16244A TSSOP	109 -142
1407 5344	IC - SN74LV02APW	125 -151
1407 5346	IC - SN74LS74ANS	125 -152
1407 5347	IC - SN74LV08APW	125 -153
1407 5351	IC - SN74LV14APW	125 -154
1407 5352	IC - 74LVC32A TSSOP	109 -143
1407 5353	IC - SN74LV244APW	125 -155
1407 5369	IC - SN74AHCT32PW	109 -144
1407 5376	IC - SN74LV32APW	125 -156
1407 5377	IC - SN74AHCT1G08DCK	125 -157
1407 5439	CMOS Logic:Sn74ahc2g66hdct	109 -145
1407 5469	IC - SN74LV07APW	125 -158
1407 5482	IC - SN74LVC07APW	109 -146
1407 5508	IC - SN74LV125APW	109 -147
1407 5523	Rom - l2c Sop 3v	109 -148
1407 5538	CPU - D6432633wg00f	125 -159
1407 5604	IC - SN74LVC16245ADGG	109 -149
1407 5640	CMOS Logic:Sn74ahc1g14hdck	109 -150
1407 5684	CMOS Logic - SN74AHC1G08HDCK	109 -151
1407 5790	CMOS Logic - SN74AHC2G08HDCU	109 -152
1407 5852	Dsp - Tms320lf2401avfa	125 -290
1407 5868	Ethernet Cont Lsi - Dp83847alqa56a	109 -153
1407 5927	CMOS Logic - SN74LVC1G14DCK	109 -154
1407 6055	IC - A3968SLB	125 -160

Part No.	Description	Page and Index No.
1407 6080	CMOS Logic:Sn74lvc2g04dck	109 -155
1407 6101	IC - SN74LVC2G17DCK	109 -156
1407 6126	Clock Generator - ICS950812CG	109 -157
1407 6127	Clock Generator:lcs960008aff	109 -158
1407 6187	CMOS Logic - SN74LVC1G07DCK	109 -159
1407 6203	CMOS Logic - SN74LVC3G07DCT	109 -160
1407 6204	CMOS Logic:Sn74lvc2g07dck	109 -161
1407 6205	CMOS Logic - SN74LVC1G06DCK	109 -162
1407 6236	Clock Generator:Mb88152pnf-g-111-e1	125 -161
1407 6245	CMOS Logic - SN74CBTLV3253PW	109 -163
1407 6248	Eeprom - M24256-bwmn6	109 -164
1407 6278	lch3 - Nh82801cam(sl7a7)	109 -165
1407 6279	Gmch - Nh82830mp(sl7a6)	109 -166
1407 6335	CMOS Logic:Sn74lvc1g17dck	109 -167
1407 6430	CUSTOM IC:GAVD TYPE-R	125 -162
1407 6489	CPU:NK80530MZ733256(SL7UH)	109 -168
1408 1448	Regulator - PQ3DZ13	125 -163
1408 1535	Transistor Array - M54585p	125 -164
1408 1640	Series Regulator - Pq070xh02z	109 -169
1408 1774	Series Regulator:Upc2933at	125 -165
1408 1778	IC:R3112q101a	109 -170
1408 1779	IC - R3112Q281A	109 -171
1408 1781	IC - R3112N421A	125 -166
1408 1815	IC - R3112Q151A	109 -172
1408 1823	Series Regulator:Rq5rw20c-fa	125 -167
1408 1825	IC - R3112Q121A	109 -173
1408 1826	IC - R3112Q421A	109 -174
1408 1829	Ope Amp - Lm358pw	125 -168
1408 1890	D/A Converter:M62354gp	125 -169
1408 1907	IC:R3112q451a-fa	125 -170
1408 1911	Comparator - LM2903PW	125 -171
1408 1956	IC:Ltc3728lxcuh#trpbf	109 -175
1408 2003	IC:R3112n281a-fa	125 -172
1408 2007	Operational Amplifier:Lm324pw	125 -173
1408 2014	Series Regulator - Pq015ez01zph	109 -176

Part No.	Description	Page and Index No.
1408 2057	IC - LTC3714EG#TRPBF	109 -177
1408 2159	Series Regulator:Pq018ef01szh	125 -174
1503 0773	Crystal Oscillator:32.768khz:7pf	109 -178
1503 0842	Oscillator - 14.31818MHZ	109 -179
1503 0885	Crystal Oscillator - 10MHZ	125 -175
1503 0946	Crystal Oscillator - 9.8304mhz	125 -176
1503 0947	Crystal Oscillator:25mhz	109 -180
1503 1007	Crystal Oscillator - 25mhz	125 -177
1503 1013	Crystal Oscillator - 24.3MHZ	125 -178
1503 1058	Crystal Oscillator-20mhz7.0pF 50ppm	125 -179
1503 1181	Crystal Oscillator:30mhz	109 -181
1503 1182	Crystal Oscillator - 16.5MHZ	125 -180
1503 1239	Crystal Oscillator:25mhz	109 -182
1601 7759	Resistor Array - 100K Ω \pm 5% 0.06	109 -183
1601 7781	Resistor - 10 Ω \pm 5%	109 -184
1601 7869	Resistor - 1.2K Ω \pm 5% 1/16W	125 -181
1601 7877	Resistor Array 4.7k Ω \pm 5% 1/32w	125 -182
1601 7887	Resistor Array - 10K Ω \pm 5% 1/32W	125 -183
1601 7898	Resistor Array	109 -185
1601 7898	Resistor Array	125 -184
1601 7909	Resistor Array - 10 Ω \pm 5% 1/32W	109 -186
1601 7914	Resistor Array - 47 Ω \pm 5%	109 -187
1601 7943	Resistor Array - 68 Ω \pm 5% 1/32W	125 -185
1601 7959	Resistor	125 -186
1601 7981	Resistor Array - 100K Ω \pm 5%1/16W	125 -187
1601 7994	Resistor Array :8.2K Ω : \pm 5%:1/16W:	109 -188
1602 7032	Filter - EMI - 2200PF	125 -188
1604 4728	Capacitor - 100 μ F \pm 20% 16V	109 -189
1604 5064	Capacitor 47 μ F: \pm 20%:50v	125 -189
1604 5065	Capacitor 10 μ F: \pm 20%:50v	125 -190
1604 5066	Capacitor 100 μ F: \pm 20%:50v	125 -191
1604 5068	Capacitor:47 μ F: \pm 20%:25v	125 -192
1604 5069	Capacitor 47 μ F: \pm 20%:16v	125 -193
1604 5070	Capacitor:100 μ F: \pm 20%:10v	125 -194
1604 5299	Capacitor 330 μ F \pm 20% 6.3v	125 -195

Part No.	Description	Page and Index No.
1604 5357	Resistor - 560 μ F \pm 20% 4V	109 -190
1605 0877	Capacitor - 6PF \pm 0.5pF 50V	125 -196
1605 0976	Capacitor - 1 μ F +80% -20% 10V	109 -191
1605 1034	Ceramic Capacitor:1000pf: \pm 10%:50v	109 -192
1605 1095	Capacitor:180pf: \pm 5%:25v	109 -193
1605 1124	Capacitor - 4.7 μ F +80 -20% 10V	109 -194
1605 1148	Capacitor - 0.1 μ F +80-20% 50V	125 -197
1605 1165	Capacitor:680pf: \pm 5%:50v	109 -195
1605 1176	Ceramic Capacitor 0.47 μ F +80-20%16v	109 -196
1605 1190	Resistor - 0.022 μ F \pm 10% 50V	125 -198
1605 1194	Capacitor:3pf: \pm 0.25pf:50v	109 -197
1605 1196	Capacitor - 5PF: \pm 0.25PF:50V	109 -198
1605 1197	Capacitor - 6PF \pm 0.5pF 50V	109 -199
1605 1200	Capacitor - 10PF \pm 0.5pF 50V	109 -200
1605 1204	Capacitor-pf50v	109 -201
1605 1205	Capacitor - 33pF \pm 5% 50V	109 -202
1605 1206	Capacitor - 47pF \pm 5% 50V	109 -203
1605 1207	Capacitor - 68pF \pm 5% 50V	109 -204
1605 1208	Capacitor:100pf: \pm 5%:50v	125 -199
1605 1208	Capacitor:100pf: \pm 5%:50v	109 -205
1605 1209	Capacitor - 150pF \pm 5% 50V	109 -206
1605 1210	Capacitor:180pf: \pm 5%:50v	109 -207
1605 1211	Capacitor - 220pF \pm 10% 50V	109 -208
1605 1212	Capacitor - 470pF \pm 10% 50V	109 -209
1605 1214	Capacitor - 1000pF \pm 10% 50V	125 -200
1605 1214	Capacitor - 1000pF \pm 10% 50V	109 -210
1605 1216	Capacitor - 2200PF \pm 10%50V	125 -201
1605 1216	Capacitor - 2200PF \pm 10%50V	109 -211
1605 1221	Capacitor - 0.1 μ F+80-20%16V	125 -202
1605 1221	Capacitor - 0.1 μ F+80-20%16V	109 -212
1605 1225	Capacitor:0.1 μ F: \pm 10%:50V	109 -213
1605 1234	Capacitor:4700pF: \pm 10%:50V	109 -214
1605 1240	Capacitor - 0.01 μ F \pm 10% 25V	109 -215
1605 1249	Capacitor:0.047 μ F: \pm 10%:16v	109 -216
1605 1275	Capacitor - 820pF \pm 5% 50V	109 -217

Part No.	Description	Page and Index No.
1605 1281	Capacitor - 0.22 μ F \pm 10% 16V	109 -218
1605 1282	Capacitor:22 μ F:+80-20%:10v	109 -219
1605 1283	Capacitor - 680pF \pm 10% 50V	109 -220
1605 1284	Capacitor:1500pf: \pm 10%:50v	109 -221
1605 1285	Capacitor - 3300pF \pm 10% 50V	125 -203
1605 1288	Capacitor - 220pF \pm 5% 50V	109 -222
1605 1289	Capacitor - 0.1 μ F \pm 10% 10V	109 -223
1605 1295	Capacitor:10 μ F:+80-20%:10v	109 -224
1605 1295	Capacitor:10 μ F:+80-20%:10v	125 -204
1605 1296	Capacitor - 330pF \pm 10% 50V	109 -225
1605 1303	Capacitor - 0.01 μ F +80-20% 50V	109 -226
1605 1306	Capacitor - 1 μ F \pm 10% 10V	109 -227
1605 1344	Capacitor - 33pF \pm 5% 50V	125 -205
1605 1352	Resistor - 82pF \pm 5% 50V	109 -228
1605 1353	Capacitor - 0.1 μ F \pm 10% 25V	109 -229
1605 1353	Capacitor - 0.1 μ F \pm 10% 25V	125 -206
1605 1354	Capacitor:1200pf: \pm 5%:50v	109 -230
1605 1355	Ceramic Capacitor:680pf: \pm 10%:50v	125 -207
1605 1387	Capacitor - 0.68 μ F \pm 10% 10V	125 -208
1605 1417	Capacitor:47 μ F:+80-20%:10v	109 -231
1605 1432	Resistor - 100 μ F \pm 20% 6.3V	109 -232
1605 1450	Resistor - 22 μ F \pm 10% 6.3V	109 -233
1605 1455	Capacitor - 10000pF \pm 5% 50V	125 -209
1605 1496	Resistor:10 μ F:+80-20%:35V	109 -234
1607 0508	Ferrite Core	11 -106
1607 0978	Inductor - Blm21p300spb	109 -235
1607 1002	IC - NFM60R30T222	125 -210
1607 1051	Filter -fbmj2125hs420	109 -236
1607 1316	Filter - FBMJ1608HS280NT	109 -237
1607 1322	Inductor:Lb2012b4r7m	109 -238
1607 1362	Coil - ACM3225-800-2P	109 -239
1607 1489	Filter - MMZ1608B301C	109 -240
1607 1556	Inductor:Rlf7030-1r5n6r1	109 -241
1607 1606	Inductor - Nlfc453232-150k-pf	125 -211
1607 1608	Inductor - Nlfc453232-101k-pf	125 -212

Part No.	Description	Page and Index No.
1607 1657	Inductor - Hm73-10r68lf	109 -242
1609 0005	Registor:33 Ω : \pm 5%:1/16w	125 -213
1609 0006	Registor:10k Ω : \pm 5%:1/16w	109 -243
1609 0006	Registor:10k Ω : \pm 5%:1/16w	125 -214
1609 0007	Resistor - 68 Ω \pm 5% 1/16W	125 -215
1609 0007	Resistor - 68 Ω \pm 5% 1/16W	109 -244
1609 0015	Resistor - 1K Ω \pm 5%:1/16W	125 -216
1609 0020	Registor:10 Ω : \pm 5%:1/16w	109 -245
1609 0025	Resistor - 100 Ω \pm 5% 1/16W	125 -217
1609 0026	Resistor - 47 Ω \pm 5% 1/16W	109 -246
1609 0027	Resistor - 100K Ω \pm 5% 1/16W	125 -218
1610 1347	Resistor - 0.22 Ω \pm 5% 1/4W	125 -219
1610 1568	Resistor - 10 Ω \pm 1% 1W	125 -220
1610 1693	Resistor - 330 Ω \pm 5% 1/1W	125 -221
1610 1733	Resistor - 0.01 Ω \pm 1% 1W	109 -247
1610 1805	Resistor - 0.003 Ω \pm 2% 1W	109 -248
1631 0000	Resistor - 0 Ω 1/4W	125 -222
1632 0000	Resistor - 0 Ω 1/8W	109 -249
1633 0000	Resistor - 0 Ω 1/10W	109 -250
1634 0000	Resistor - 0 Ω 1/16W	109 -251
1634 0000	Resistor - 0 Ω 1/16W	125 -223
1650 2680	Resistor - 68 Ω \pm 5% 1/4W	125 -224
1650 3821	Resistor - 820 Ω \pm 5% 1/8W	125 -225
1650 4100	Resistor - 10 Ω \pm 5% 1/10W	125 -226
1650 4101	Resistor - 100 Ω \pm 5%1/10W	125 -227
1650 4102	Resistor - 1K Ω \pm 5% 1/10W	125 -228
1650 4103	Resistor - 10K Ω \pm 5% 1/10W	125 -229
1650 4104	Resistor - 100K Ω \pm 5%1/10W	125 -230
1650 4105	Resistor - 1M Ω \pm 5% 1/10W	125 -231
1650 4152	Resistor - 1.5K Ω \pm 5% 1/10W	125 -232
1650 4153	Resistor - 15K Ω \pm 5% 1/10W	125 -233
1650 4161	Resistor - 160 Ω \pm 5% 1/10W	125 -234
1650 4201	Resistor - 200 Ω \pm 5%1/10W	125 -235
1650 4204	Resistor - 200K Ω \pm 5%1/10W	125 -236
1650 4221	Resistor - 220 Ω \pm 5%1/10W	125 -237

Part No.	Description	Page and Index No.
1650 4222	Resistor - 2.2K Ω \pm 5%1/10W	125 -238
1650 4223	Resistor - 22K Ω \pm 5%1/10W	125 -239
1650 4244	Resistor:240k Ω : \pm 5%:1/10w:1608	125 -240
1650 4302	Resistor - 3K Ω \pm 5%1/10W	125 -241
1650 4330	Chip Resistor - 33 Ω \pm 5% 1/10w	125 -242
1650 4332	Resistor - 3.3K Ω \pm 5%1/10W	125 -243
1650 4362	Resistor - 3.6K Ω \pm 5%1/10W	125 -244
1650 4470	Resistor - 47 Ω \pm 5%1/10W	125 -245
1650 4472	Resistor - 4.7K Ω \pm 5% 1/10W	125 -246
1650 4561	Resistor - 560 Ω \pm 5% 1/10W	125 -247
1650 4563	Resistor - 56K Ω \pm 5%1/10W	125 -248
1650 4680	Resistor - 68 Ω \pm 5%1/10W	125 -249
1650 4681	Resistor - 680 Ω \pm 5% 1/10W	125 -250
1650 4682	Resistor - 6.8K Ω \pm 5% 1/10W	125 -251
1650 4750	Resistor - 75 Ω \pm 5%1/10W	125 -252
1650 5100	Chip Resistor - 10 Ω \pm 5%1/16w	109 -252
1650 5101	Chip Resistor - 100 Ω \pm 5%1/16w	109 -253
1650 5101	Chip Resistor - 100 Ω \pm 5%1/16w	125 -253
1650 5102	Chip Resistor - 1k Ω \pm 5%1/16w	109 -254
1650 5102	Chip Resistor - 1k Ω \pm 5%1/16w	125 -254
1650 5103	Chip Resistor - 10k Ω \pm 5%1/16w	125 -255
1650 5103	Chip Resistor - 10k Ω \pm 5%1/16w	109 -255
1650 5104	Chip Resistor - 100k Ω \pm 5%1/16w	109 -256
1650 5106	Resistor - 10M Ω \pm 5% 1/16W	109 -257
1650 5109	Chip Resistor 1 Ω \pm 5% 1/16w	109 -258
1650 5131	Resistor - 130 Ω \pm 5% 1/16W	109 -259
1650 5151	Resistor - 150 Ω \pm 5% 1/16W	109 -260
1650 5152	Chip Resistor:1.5k Ω : \pm 5%:1/16w	109 -261
1650 5202	Chip Resistor:2k Ω : \pm 5%:1/16w	109 -262
1650 5204	Chip Resistor - 200k Ω \pm 5%1/16w	109 -263
1650 5220	Resistor - 22 Ω \pm 5% 1/16W	109 -264
1650 5221	Chip Resistor - 220 Ω \pm 5%1/16w	109 -265
1650 5222	Resistor - 2.2K Ω \pm 5% 1/16W	109 -266
1650 5241	Resistor - 240 Ω \pm 5% 1/16W	109 -267
1650 5271	Chip Resistor 270 Ω \pm 5% 1/16w	109 -268

Part No.	Description	Page and Index No.
1650 5272	Chip Resistor:2.7k Ω \pm 5%:1/16W:1005	109 -269
1650 5330	Chip Resistor - 33 Ω \pm 5%1/16w	125 -256
1650 5330	Chip Resistor - 33 Ω \pm 5%1/16w	109 -270
1650 5331	Resistor - 330 Ω \pm 5% 1/16W	109 -271
1650 5332	Resistor - 3.3K Ω \pm 5% 1/16W	125 -257
1650 5332	Resistor - 3.3K Ω \pm 5% 1/16W	109 -272
1650 5390	Resistor - 39 Ω \pm 5% 1/16W	109 -273
1650 5470	Chip Resistor 47 Ω \pm 5% 1/16w	109 -274
1650 5471	Chip Resistor - 470 Ω -5% 1/16w	109 -275
1650 5472	Chip Resistor:4.7k Ω : \pm 5%:1/16w	109 -276
1650 5472	Chip Resistor:4.7k Ω : \pm 5%:1/16w	125 -258
1650 5511	Resistor - 510 Ω \pm 5% 1/16W	109 -277
1650 5512	Chip Resistor 5.1k Ω \pm 5% 1/16w	109 -278
1650 5514	Chip Resistor:510k Ω : \pm 5%:1/16w	109 -279
1650 5560	Chip Resistor 56 Ω \pm 5% 1/16w	109 -280
1650 5563	Resistor - 56K Ω \pm 5% 1/16W	109 -281
1650 5569	Resistor - 5.6 Ω \pm 5% 1/16W	109 -282
1650 5680	Resistor - 68 Ω \pm 5% 1/16W	109 -283
1650 5680	Resistor - 68 Ω \pm 5% 1/16W	125 -259
1650 5681	Chip Resistor:680 Ω : \pm 5%:1/16w	109 -284
1650 5683	Chip Resistor 68k Ω \pm 5% 1/16w	109 -285
1650 5822	Chip Resistor:8.2k Ω : \pm 5%:1/16w	109 -286
1650 5823	Chip Resistor:82k Ω : \pm 5%:1/16w	109 -287
1653 4999	Resistor - 49.9 Ω \pm 1% 1/8W	109 -288
1653 5499	Resistor - 54.9 Ω \pm 1% 1/8W	109 -289
1654 1000	Resistor - 100 Ω \pm 1% 1/10W	125 -260
1654 1001	Resistor - 1K Ω \pm 1%1/10W	109 -290
1654 1002	Resistor - 10K Ω \pm 5%1/10W	125 -261
1654 1004	Chip Resistor - 1m Ω \pm 1% 1/10w	109 -291
1654 1501	Resistor - 1.5K Ω \pm 1% 1/10W 1608	109 -292
1654 1502	Resistor - 15K Ω \pm 1% 1/10W	109 -293
1654 1601	Chip Resistor - 1.6k Ω \pm 1% 1/10w	125 -262
1654 2002	Resistor - 20K Ω \pm 1%1/10W	125 -263
1654 2200	Resistor:220 Ω : \pm 1%:1/10w:1608	125 -264
1654 2402	Chip Resistor:24k Ω : \pm 1%:1/10w	125 -265

Part No.	Description	Page and Index No.
1654 3241	Resistor - 3.24K Ω \pm 1% 1/10W	125 -266
1654 3300	Chip Resistor:330 Ω : \pm 1%:1/10w	109 -294
1654 3302	Chip Resistor-33k Ω \pm 1%-1/10w	125 -267
1654 3609	Resistor - 36 Ω \pm 1%1/10W	109 -295
1654 3903	Resistor - 390K Ω \pm 1% 1/10W	125 -268
1654 5231	Resistor - 5.23K Ω \pm 1%1/10W	125 -269
1654 8201	Resistor - 8.2K Ω \pm 1% 1/10W	109 -296
1654 8201	Resistor - 8.2K Ω \pm 1% 1/10W	125 -270
1655 0000	Chip Resistor - 0 Ω \pm 0%1/16w	109 -297
1655 0000	Chip Resistor - 0 Ω \pm 0%1/16w	125 -271
1655 1001	Chip Resistor - 1k Ω \pm 1% 1/16w	109 -298
1655 1002	Chip Resistor - 10k Ω \pm 1%1/16w	109 -299
1655 1009	Resistor - 10 Ω \pm 1% 1/16W	109 -300
1655 1100	Resistor - 110 Ω \pm 1% 1/16W	109 -301
1655 1201	Resistor - 1.2K Ω \pm 1% 1/16W	125 -272
1655 1370	Resistor - 137 Ω \pm 1% 1/16W	109 -302
1655 1409	Resistor - 14 Ω \pm 1% 1/16W	109 -303
1655 1502	Resistor - 15K Ω \pm 1% 1/16W	109 -304
1655 1509	Resistor - 15 Ω \pm 1% 1/16W	109 -305
1655 1800	Chip Resistor:180 Ω : \pm 1%:1/16w	125 -273
1655 1800	Chip Resistor:180 Ω : \pm 1%:1/16w	109 -306
1655 1829	Resistor - 18.2 Ω \pm 1% 1/16W	109 -307
1655 2001	Resistor - 2K Ω \pm 1% 1/16W	109 -308
1655 2002	Chip Resistor - 20k Ω \pm 1%1/16w	109 -309
1655 2003	Chip Resistor - 200k Ω \pm 1%1/16w	109 -310
1655 2052	Resistor - 20.5K Ω \pm 1% 1/16W	109 -311
1655 2200	Resistor - 220 Ω \pm 1% 1/16W	109 -312
1655 2209	Resistor - 22 Ω \pm 1% 1/16W	109 -313
1655 2210	Resistor - 221 Ω \pm 1% 1/16W	109 -314
1655 2401	Resistor - 2.4K Ω \pm 1% 1/16W	109 -315
1655 2433	Resistor - 243K Ω \pm 1% 1/16W	109 -316
1655 2490	Resistor - 249 Ω \pm 1% 1/16W	109 -317
1655 2679	Resistor - 26.7 Ω \pm 1% 1/16W	109 -318
1655 2749	Resistor - 27.4 Ω \pm 1% 1/16W	109 -319
1655 2803	Resistor - 280K Ω \pm 1% 1/16W	109 -320

Part No.	Description	Page and Index No.
1655 3000	Chip Resistor:300 Ω : \pm 1%:1/16w	109 -321
1655 3010	Resistor - 301 Ω \pm 1% 1/16W	109 -322
1655 3303	Resistor - 330K Ω \pm 1% 1/16W	109 -323
1655 3309	Resistor - 33 Ω \pm 1% 1/16W	109 -324
1655 3329	Resistor - 33.2 Ω \pm 1% 1/16W	109 -325
1655 3480	Resistor - 348 Ω \pm 1% 1/16W	109 -326
1655 3659	Resistor - 36.5 Ω \pm 1% 1/16W	109 -327
1655 3900	Resistor:390 Ω : \pm 1%:1/16w	109 -328
1655 4321	Resistor:4.32k Ω : \pm 1%:1/16w	109 -329
1655 4700	Chip Resistor:470 Ω : \pm 1%:1/16w:1005	125 -274
1655 4701	Chip Resistor - 4.7k Ω \pm 1%1/16w	125 -275
1655 4709	Resistor - 47 Ω \pm 1% 1/16W	109 -330
1655 4750	Resistor - 475 Ω \pm 1% 1/16W	109 -331
1655 4999	Resistor - 49.9 Ω \pm 1% 1/16W	109 -332
1655 5119	Resistor - 51.1 Ω \pm 1% 1/16W	109 -333
1655 5499	Resistor - 54.9 Ω \pm 1% 1/16W	109 -334
1655 5601	Resistor - 5.6K Ω \pm 1% 1/16W	109 -335
1655 5609	Resistor - 56 Ω \pm 1% 1/16W	109 -336
1655 5621	Resistor - 5.62K Ω \pm 1% 1/16W	109 -337
1655 5629	Resistor - 56.2 Ω \pm 1% 1/16W	109 -338
1655 5760	Resistor - 576 Ω \pm 1% 1/16W	109 -339
1655 6049	Resistor - 60.4 Ω \pm 1% 1/16W	109 -340
1655 6199	Resistor - 61.9 Ω \pm 1% 1/16W	109 -341
1655 6342	Resistor:63.4k Ω : \pm 1%:1/16w	109 -342
1655 6809	Chip Resistor - 68 Ω \pm 1%1/16w	109 -343
1655 7509	Chip Resistor:75 Ω : \pm 1%:1/16W	109 -344
1655 8062	Resistor - 80.6K Ω \pm 1% 1/16W	109 -345
1655 8063	Resistor - 806K Ω \pm 1% 1/16W	109 -346
1655 8202	Resistor - 82K Ω \pm 1% 1/16W	109 -347
1655 8209	Resistor - 82 Ω \pm 1% 1/16W	109 -348
1655 9100	Resistor - 910 Ω \pm 1% 1/16W	109 -349
1660 0100	Capacitor - 10PF \pm 0.5pF 50V	125 -276
1660 2101	Capacitor - 100pF - \pm 10% - 50V	125 -277
1660 2120	Capacitor - 12 pF \pm 5% 50V	125 -278
1660 2121	Capacitor - 120pF \pm 5% 50V	109 -350

Part No.	Description	Page and Index No.
1660 2150	Capacitor - 15pF \pm 5% 50V	125 -279
1660 2220	Capacitor - 22pF \pm 20% 35V	125 -280
1660 2221	Capacitor - 220pF +80-20% 50V	125 -281
1660 2270	Capacitor - 27pF \pm 20% 35V	125 -282
1660 2330	Capacitor - 33pF - \pm 5% - 50V	125 -283
1660 2471	Capacitor - 470pF - \pm 5% - 50V	125 -284
1660 4102	Capacitor - 1000pF \pm 10% 50V	125 -285
1660 4103	Capacitor - 10000pF - \pm 10% - 50V	125 -286
1660 4472	Capacitor - 4700PF \pm 10% 50V	125 -287
1660 6103	Capacitor - 10000pF - +80%-20%50V	125 -288
1660 8104	Capacitor - 0.1 μ F +80-20% 25V	109 -351
1902 0067	RAM:1m:X8:70ns:G17	125 -289
1906 0068	FIRMWARE HUB:M50FW080N5G	109 -352

Part No.	Description	Page and Index No.
5203 9501	Grease 501	135 - 8
5206 2684	Shoulder Screw - M3	69 - 9
5206 2686	Snap Ring	21 - 27
5206 2686	Snap Ring	23 - 29
5214 4975	Decal - High Voltage	43 - 24
5214 4975	Decal - High Voltage	133 - 1
5215 2621	Snap Ring - M6	33 - 9
5215 2621	Snap Ring - M6	55 - 21
5447 2681	Snap Ring	71 - 9
5447 2681	Snap Ring	79 - 6

